



# KTLD-50-UV-1200-VDIM-LA2

## CONSTANT CURRENT LED DRIVER



### DESCRIPTION

LED Driver | 50W | 120-277V Input | 1200mA Output

<b>TOTAL POWER:</b> 50W	<b>WARRANTY:</b> 5 Years
<b>INPUT VOLTAGE:</b> 120~277Vac $\pm$ 10%	<b>OUTPUT CURRENT:</b> 1200mA
<b>INPUT FREQUENCY:</b> 50/60 Hz	<b>DIMMING:</b> 0-10V

### ELECTRICAL SPECIFICATIONS

<b>Input Voltage Range</b>	120~277Vac $\pm$ 10%
<b>Frequency</b>	50/60 Hz
<b>Power Factor</b>	> 0.9 under 120~277Vac input with 80~100% load condition (For All Output Currents)
<b>Inrush Current</b>	<35A Peak @120Vac / 25°C/77°F
<b>Max. Input Current</b>	0.48A @ 120Vac
<b>THD</b>	< 20% under 120~277Vac input with 80~100% load condition (For All Output Currents)
<b>Current Stability</b>	$\pm$ 1.5% max. after 8hrs
<b>Output Tolerance</b>	$\pm$ 5% at Full Load Condition
<b>Turn-On Delay Time</b>	< 1s at Full Load condition
<b>Ripple Factor</b>	Vd= 41V, Rd= 0.08, measured at max load, <5% (1pk-pk/2/1mean)
<b>Protection</b>	<ul style="list-style-type: none"> <li>• <b>Over Current Protection:</b> Hiccup mode. Protection will trigger when load current exceeds specified output current and will auto recover after the fault mode is removed.</li> <li>• <b>Short Circuit Protection:</b> Hiccup mode. Protection will trigger when short circuited and will auto recover after the fault mode is removed.</li> </ul>

### PRODUCT SPECIFICATIONS

Catalog Number	Max. Output Power	Output Current	Output Voltage	Typical Efficiency at 120V	Typical Efficiency at 277V	Class 2	
						US	Canada
KTLD-50-UV-1200-VDIM-LA2	50W	1200mA	26-41Vdc	86%	88%	✓	

### ENVIRONMENTAL SPECIFICATIONS

<b>Operating Temperature</b>	-40°C/-40°F to 55°C/131°F
<b>Humidity</b>	5% to 95%, non-condensing
<b>MTBF</b>	300,000hrs calculated to MIL-HBDK217F @ 25°C/77°F
<b>Life Rating</b>	>50,000hrs @ 90°C/194°F ambient
<b>Maximum Case Temperature</b>	85°C/185°F

### SAFETY AND EMC COMPLIANCE

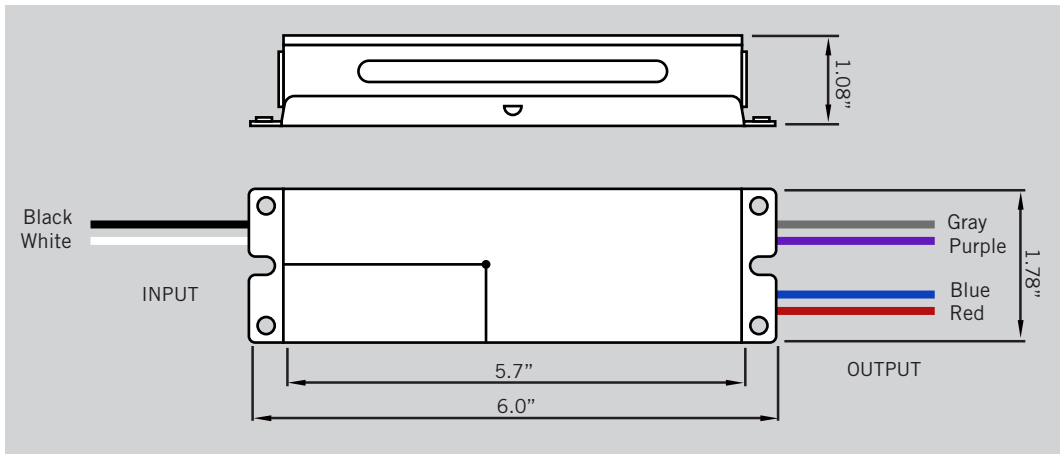
<b>UL/cUL</b>	UL 8750, UL 1310 Class P
<b>FCC, 47CFR Part 15</b>	Class B



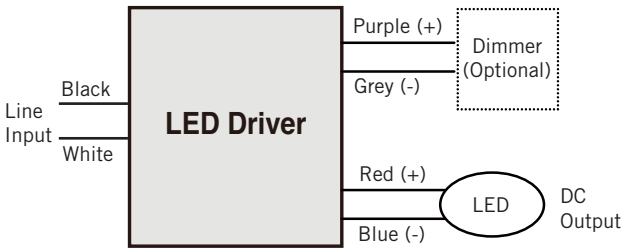
# KTLD-50-UV-1200-VDIM-LA2

## CONSTANT CURRENT LED DRIVER

### PHYSICAL SPECIFICATIONS



### WIRING DIAGRAM



### WIRING SPECIFICATIONS

WIRE TYPE	WIRE LENGTH
INPUT	9.84"
OUTPUT	22.05"
DIMMING	15.74"

### ORDERING INFORMATION

ORDER CODE	PACK QTY.	ITEM STATUS
KTLD-50-UV-1200-VDIM-LA2	20	Quick Ship

### CATALOG NUMBER BREAKDOWN

# KTLD-50-UV-1200-VDIM-LA2

1
2
3
4
5
6

- 1 Keystone Technologies LED Driver
- 2 Max Output Wattage
- 3 120-277V Input
- 4 Output Current
- 5 0-10V Dimming
- 6 Case Style