



# KTLD-50-UV-XXX-VDIM-AR2 /D

## CONSTANT CURRENT LED DRIVER

### DESCRIPTION

LED Driver | 50W | 120-277V Input | 920-2100mA Output



<b>TOTAL POWER:</b> 50W	<b>OUTPUT CURRENT:</b> 920-2100mA
<b>INPUT VOLTAGE:</b> 120~277Vac ± 10%	<b>DIMMING:</b> 0-10V
<b>INPUT FREQUENCY:</b> 50/60 Hz	<b>WARRANTY:</b> 5 Years

### ELECTRICAL SPECIFICATIONS

<b>Input Voltage Range</b>	120~277Vac ± 10%
<b>Frequency</b>	50/60 Hz
<b>Power Factor</b>	> 0.9 under 120~277Vac input with 80~100% load condition (For All Output Currents)
<b>Inrush Current</b>	10A @120V
<b>Max. Input Current</b>	0.52A @120V, 0.28A @240V and 0.24A @277V
<b>THD</b>	< 20% under 120~277Vac input with 80~100% load condition (For All Output Currents)
<b>Load Regulation</b>	± 2%
<b>Line Regulation</b>	± 1%
<b>Output Tolerance</b>	± 5% at Full Load Condition
<b>Turn-On Delay Time</b>	< 0.5s at Full Load Condition
<b>Overshoot</b>	< 10% at Full Load Condition
<b>No Load Power Consumption</b>	< 2W
<b>Ripple &amp; Noise (pk-pk)</b>	< 10%
<b>Withstand Voltage</b>	Input to output, 2,800Vdc, 2mA
<b>Leakage Current</b>	Maximum 0.5mA at 277Vac, 60Hz input
<b>Protection</b>	<ul style="list-style-type: none"> <li>• <b>Over Voltage Protection:</b> Hiccup mode. Protection will trigger when load voltage exceeds specified output voltage and will auto recover after the fault mode is removed.</li> <li>• <b>Over Current Protection:</b> Hiccup mode. Protection will trigger when load current exceeds specified output current and will auto recover after the fault mode is removed.</li> <li>• <b>Short Circuit Protection:</b> Hiccup mode. Protection will trigger when short circuited and will auto recover after the fault mode is removed.</li> <li>• <b>Over temperature protection:</b> Protection will trigger when driver overheat and auto-recovery when cooled down.</li> </ul>

### PRODUCT SPECIFICATIONS

Catalog Number	Max. Output Power	Output Current	Output Voltage	OCV	Typical Efficiency at 120V	Typical Efficiency at 240V	Typical Efficiency at 277V	Remote Mounting Distance (#18 AWG)	Class 2	
									US	Canada
KTLD-50-UV-920-VDIM-AR2 /D	50W	920mA	27-54V	60V	86%	87%	88%	16 ft	✓	
KTLD-50-UV-1000-VDIM-AR2 /D	50W	1000mA	25-50V	55V	86%	87%	88%	14 ft	✓	
KTLD-50-UV-1050-VDIM-AR2 /D	50W	1050mA	24-48V	53V	86%	87%	88%	14 ft	✓	
KTLD-50-UV-1100-VDIM-AR2 /D	50W	1100mA	23-45V	50V	86%	87%	88%	13 ft	✓	
KTLD-50-UV-1200-VDIM-AR2 /D	50W	1200mA	21-42V	47V	86%	87%	88%	12 ft	✓	
KTLD-50-UV-1300-VDIM-AR2 /D	50W	1300mA	19-38V	43V	86%	87%	88%	11 ft	✓	
KTLD-50-UV-1400-VDIM-AR2 /D	50W	1400mA	18-36V	41V	86%	87%	88%	10 ft	✓	✓
KTLD-50-UV-1450-VDIM-AR2 /D	50W	1450mA	17-34V	39V	85%	86%	87%	10 ft	✓	✓
KTLD-50-UV-1500-VDIM-AR2 /D	50W	1500mA	17-33V	38V	85%	86%	87%	9 ft	✓	✓
KTLD-50-UV-1600-VDIM-AR2 /D	50W	1600mA	16-31V	36V	85%	86%	87%	9 ft	✓	✓
KTLD-50-UV-1700-VDIM-AR2 /D	50W	1700mA	15-29V	34V	85%	86%	87%	8 ft	✓	✓
KTLD-50-UV-1800-VDIM-AR2 /D	50W	1800mA	14-28V	33V	85%	86%	87%	8 ft	✓	✓
KTLD-50-UV-1900-VDIM-AR2 /D	50W	1900mA	13-26V	31V	85%	86%	87%	7 ft	✓	✓
KTLD-50-UV-2000-VDIM-AR2 /D	50W	2000mA	13-25V	30V	85%	86%	87%	7 ft	✓	✓
KTLD-50-UV-2100-VDIM-AR2 /D	50W	2100mA	12-24V	29V	85%	86%	87%	7 ft	✓	✓



# KTLD-50-UV-XXX-VDIM-AR2 /D

## CONSTANT CURRENT LED DRIVER

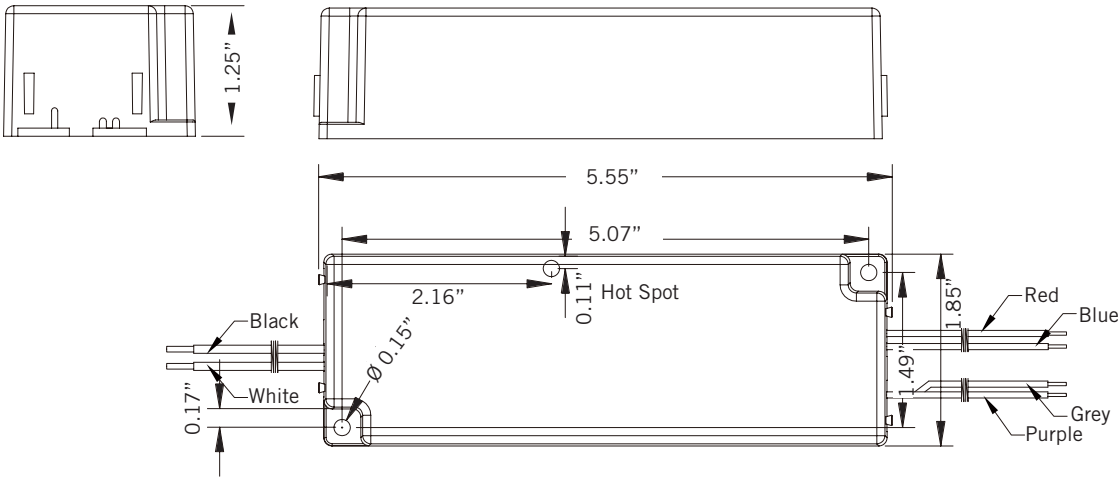
### ENVIRONMENTAL SPECIFICATIONS

Operating Temperature	-40 to 60°C
Storage Temperature	-40 to 85°C
Humidity	5% to 95%
MTBF	235,000 hours at 40°C ambient (~70°C Case temp)
Life Rating	85,000 hours at 120Vac input, 100% load and 60°C case temperature
Maximum Case Temperature	90°C

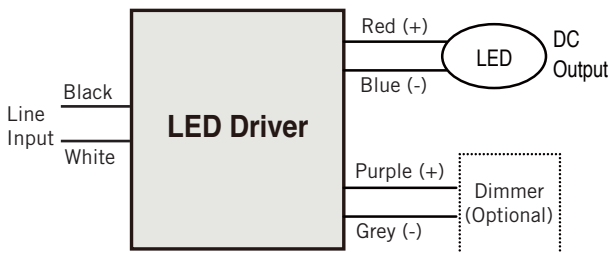
### SAFETY AND EMC COMPLIANCE

UL/cUL	UL 8750, Class P, Type HL
CE	EN61347-1, EN61347-2-13
FCC, 47CFR Part 15	ANSI C63.4:2009 Class B (Consumer Limit)
EN61000-3-2	Harmonic Current Emissions Class C

### PHYSICAL SPECIFICATIONS



### WIRING DIAGRAM



### WIRING SPECIFICATIONS

INPUT	12", UL 1569 #18AWG (Black and White)
OUTPUT	12", UL 1430 #22AWG (Red and Blue)

### ORDERING INFORMATION

ORDER CODE	PACKAGING STYLE	PACK QTY.	ITEM STATUS
KTLD-50-UV-XXX-VDIM-AR2 /D-CP	Carton Pack	TBD	Quick Ship

### CATALOG NUMBER BREAKDOWN

# KTLD-50-UV-XXX-VDIM-AR2 /D-CP

Keystone Technologies LED Driver	Max. Output Wattage	120-277V Input	Output Current	0-10V Dimming	Case Style	Model Version	Packaging Style
-------------------------------------	------------------------	-------------------	-------------------	------------------	---------------	------------------	--------------------