



<b>KTLD-60-UV-XXX-VDIM-W2</b>
Constant current LED driver
Total power: 60W
Input voltage: 120~277Vac ± 10%
Number of outputs: One
UL 8750
IP20 design for dry and damp location
Dimmable with 0-10V dimmer
5 year warranty

ELECTRICAL SPECIFICATIONS:		ENVIRONMENTAL SPECIFICATIONS:	
Input voltage range:	120~277Vac ± 10%	Operating temperature:	-30 to 60°C
Frequency:	50/60Hz	Storage temperature:	-40 to 85°C
Power factor:	>0.9 @full load, 120V through 277V	Humidity:	5% to 95%
Inrush current:	30A @230V	MTBF:	299,000 hours at 40°C ambient (~70°C Case temp)
Max input current:	0.61A @120V and 0.27A @ 277V	Maximum case Temperature	90°C
THD:	<20%		
Protection:	Over voltage, Over current and Short circuit		
Withstand voltage	I/P – O/P 2k Vac		

PRODUCT SPECIFICATIONS:							
Model Number	Max output power	Output Current	Output Voltage	Efficiency	Remote mounting distance (#18 AWG)	Class 2	
						US	Canada
KTLD-60-UV-1050-VDIM-W2	60W	1050mA	29 – 57 V	84%	35 ft	√	
KTLD-60-UV-1500-VDIM-W2	60W	1500mA	20 – 40 V	84%	24 ft	√	√
KTLD-60-UV-1600-VDIM-W2	60W	1600mA	18 - 37.5 V	84%	23 ft	√	√

SAFETY AND EMC COMPLIANCE:	
UL/cUL	UL 8750
FCC, 47CFR Part 15	Class B Consumer Limit
EN61000-3-2	

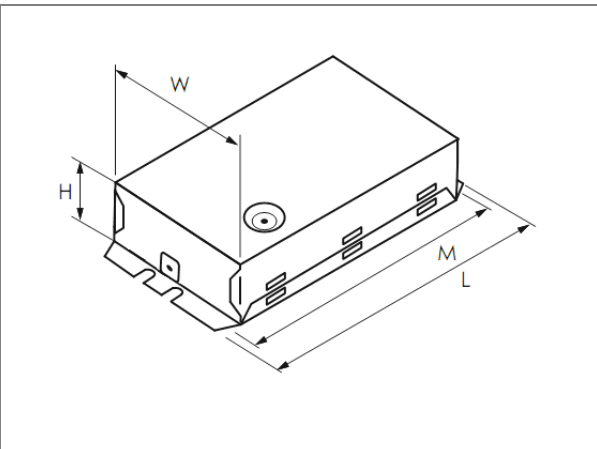
All models listed above are available with optional rear junction wire leads and mounting studs.

Add “- RJS” to the end of the driver part numbers to select this option.

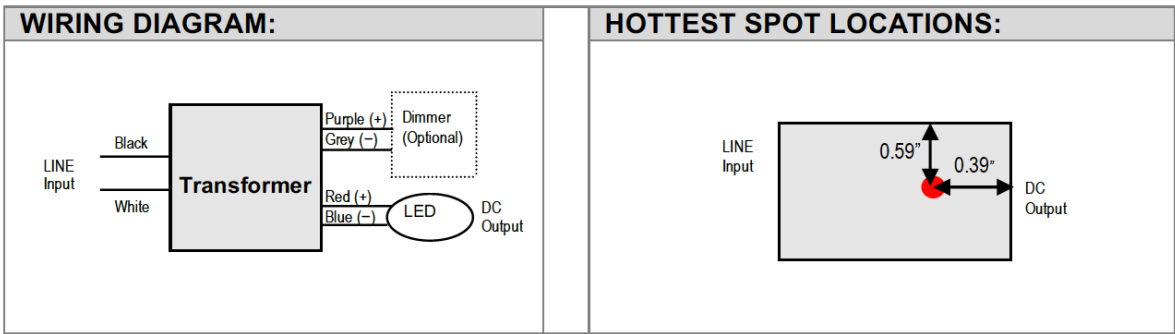
PHYSICAL DIMENSIONS:	
Length (L):	5.00"
Width (W):	3.00"
Height (H):	1.38"
Mounting (M):	4.63"
Weight:	0.63 kg

WIRE SPECIFICATIONS:	
Input:	12", UL1316 #18AWG (Black and White)
Output:	12", UL 1316/1430 #22AWG (Red and Blue)
Dimming:	12", UL 1316/1430 #22AWG (Purple and Grey)



Keystone Technologies • 208 Progress Drive, Montgomeryville, PA 18936  
 Phone (800) 464-2680 • Fax (888) 966-0556 • [www.keystoneballast.com](http://www.keystoneballast.com)



**Keystone Technologies** • 208 Progress Drive, Montgomeryville, PA 18936  
 Phone (800) 464-2680 • Fax (888) 966-0556 • [www.keystoneballast.com](http://www.keystoneballast.com)