



KTLD-60-UV-1400-VDIM-LA3

CONSTANT CURRENT LED DRIVER



DESCRIPTION

LED Driver | 60W | 120-277V Input | 1400mA Output

TOTAL POWER: 60W	WARRANTY: 5 Years
INPUT VOLTAGE: 120~277Vac \pm 10%	OUTPUT CURRENT: 1400mA
INPUT FREQUENCY: 50/60 Hz	DIMMING: 0-10V

ELECTRICAL SPECIFICATIONS

Input Voltage Range	120~277Vac \pm 10%
Frequency	50/60 Hz
Power Factor	> 0.95 under 120~277Vac input with 80~100% load condition (For All Output Currents)
Inrush Current	<60A Peak @120Vac / 25°C/77°F
Max. Input Current	0.61A @ 120Vac
THD	< 20% under 120~277Vac input with 80~100% load condition (For All Output Currents)
Current Stability	\pm 2% max. after 8hrs
Output Tolerance	\pm 5% at Full Load Condition
Turn-On Delay Time	< 1s at Full Load condition
Ripple Factor	Vd= 43V, Rd= 0.08, measured at max load, <5% (1pk-pk/2/1mean)
Protection	<ul style="list-style-type: none"> • Over Current Protection: Hiccup mode. Protection will trigger when load current exceeds specified output current and will auto recover after the fault mode is removed. • Short Circuit Protection: Hiccup mode. Protection will trigger when short circuited and will auto recover after the fault mode is removed.

PRODUCT SPECIFICATIONS

Catalog Number	Max. Output Power	Output Current	Output Voltage	Typical Efficiency at 120V	Typical Efficiency at 277V	Class 2	
						US	Canada
KTLD-60-UV-1400-VDIM-LA3	60W	1400mA	26-43Vdc	86%	88%	✓	

ENVIRONMENTAL SPECIFICATIONS

Operating Temperature	-40°C/-40°F to 55°C/131°F
Humidity	5% to 95%, non-condensing
MTBF	300,000hrs calculated to MIL-HBDK217F @ 25°C/77°F
Life Rating	>50,000hrs @ 90°C/194°F ambient
Maximum Case Temperature	85°C/185°F

SAFETY AND EMC COMPLIANCE

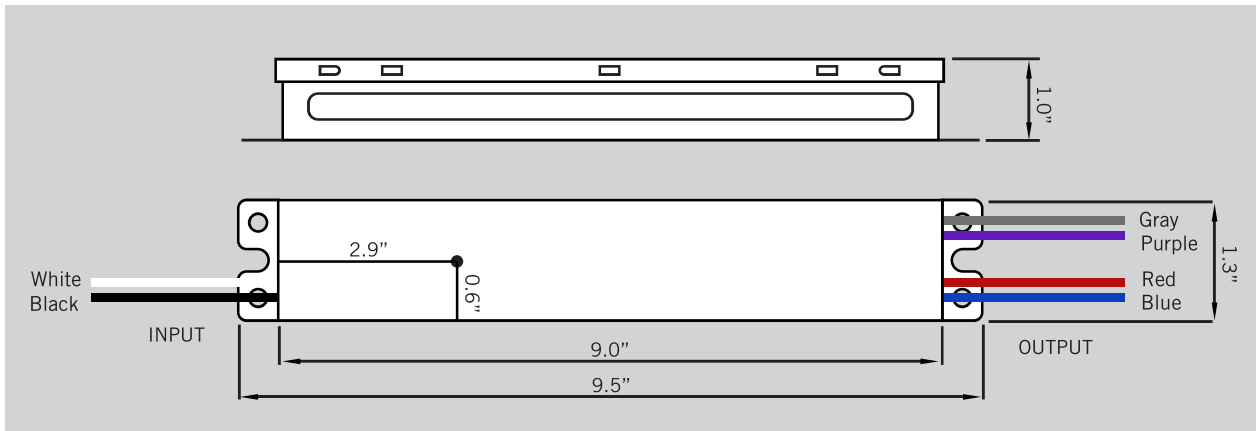
UL/cUL	UL 8750, Class P
FCC, 47CFR Part 15	Class B@120V, Class A@277V



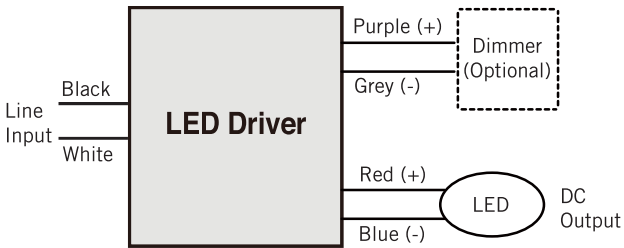
KTLD-60-UV-1400-VDIM-LA3

CONSTANT CURRENT LED DRIVER

PHYSICAL SPECIFICATIONS



WIRING DIAGRAM



WIRING SPECIFICATIONS

WIRE TYPE	WIRE LENGTH
INPUT	7.87"
OUTPUT	22.05"
DIMMING	17.72"

ORDERING INFORMATION

ORDER CODE	PACK QTY.	ITEM STATUS
KTLD-60-UV-1400-VDIM-LA3	24	Quick Ship

CATALOG NUMBER BREAKDOWN

KTLD-60-UV-1400-VDIM-LA3

1
2
3
4
5
6

- 1 Keystone Technologies LED Driver
- 2 Max Output Wattage
- 3 120-277V Input
- 4 Output Current
- 5 0-10V Dimming
- 6 Case Style