



# KTLD-90-1-2625-L5

## CONSTANT CURRENT LED DRIVER



### DESCRIPTION

LED Driver | 90W | 120V Input | 2625mA Output

**INPUT FREQUENCY:** 50/60 Hz**TOTAL POWER:** 90W**OUTPUT CURRENT:** 2625mA**INPUT VOLTAGE:** 120Vac  $\pm$  10%**WARRANTY:** 5 Years

### ELECTRICAL SPECIFICATIONS

Input Voltage Range	120Vac $\pm$ 10%
Frequency	50/60 Hz
Power Factor	> 0.9 under 120~277Vac input with 80~100% load condition (For All Output Currents)
Inrush Current	30A @120V
Max. Input Current	1.10A @120V
THD	< 10% under 120Vac input with 80~100% load condition (For All Output Currents)
Load Regulation	$\pm$ 2%
Line Regulation	$\pm$ 1%
Output Tolerance	$\pm$ 5% at Full Load Condition
Turn-On Delay Time	< 1s at Full Load Condition
Overshoot	< 10% at Full Load Condition
No Load Power Consumption	< 2W
Ripple & Noise (pk-pk)	< 3%
Withstand Voltage	Input to output, 2,800Vdc, 2mA
Leakage Current	Maximum 0.5mA at 120Vac, 60Hz input
Protection	<ul style="list-style-type: none"> <li>• <b>Over Voltage Protection:</b> Hiccup mode. Protection will trigger when load voltage exceeds specified output voltage and will auto recover after the fault mode is removed.</li> <li>• <b>Over Current Protection:</b> Hiccup mode. Protection will trigger when load current exceeds specified output current and will auto recover after the fault mode is removed.</li> <li>• <b>Short Circuit Protection:</b> Hiccup mode. Protection will trigger when short circuited and will auto recover after the fault mode is removed.</li> <li>• <b>Over Temperature Protection:</b> Protection will trigger when driver overheat and auto-recovery when cooled down.</li> </ul>

### PRODUCT SPECIFICATIONS

Catalog Number	Max. Output Power	Output Current	Output Voltage	OCV	Typical Efficiency at 120V	Remote Mounting Distance (#18 AWG)	Class 2	
							US	Canada
KTLD-90-1-2625-L5	90W	2625mA	17-34V	36V	85%	13 ft	✓	✓

### ENVIRONMENTAL SPECIFICATIONS

Operating Temperature	-40 to 60°C
Storage Temperature	-40 to 85°C
Humidity	5% to 95%
MTBF	125,000 hours at 40°C ambient (~70°C Case temp)
Life Rating	85,000 hours at 120Vac input, 100% load and 60°C case temperature
Maximum Case Temperature	90°C

### SAFETY AND EMC COMPLIANCE

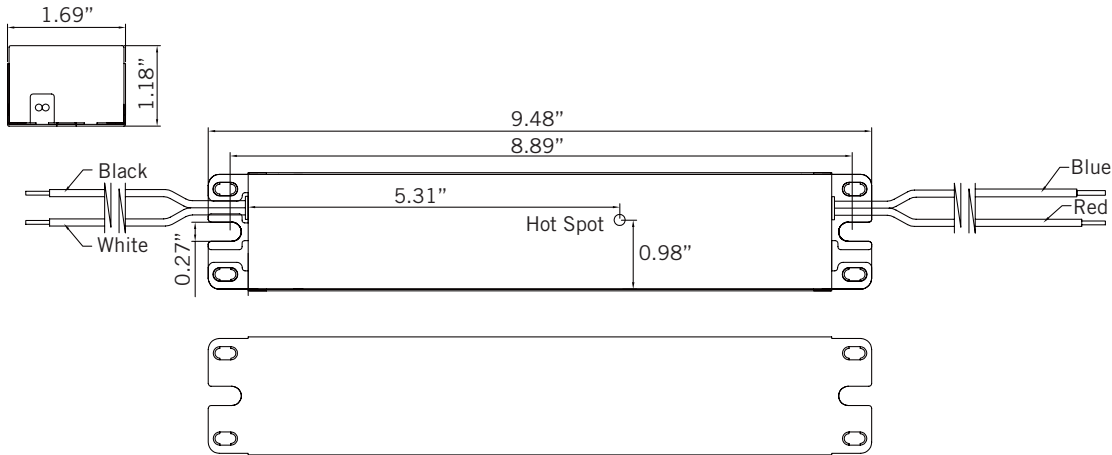
UL/cUL	UL 8750, Class P, Type HL
CE	EN61347-1, EN61347-2-13
FCC, 47CFR Part 15	ANSI C63.4:2009 Class B (Consumer Limit)
EN61000-3-2	Harmonic Current Emissions Class C



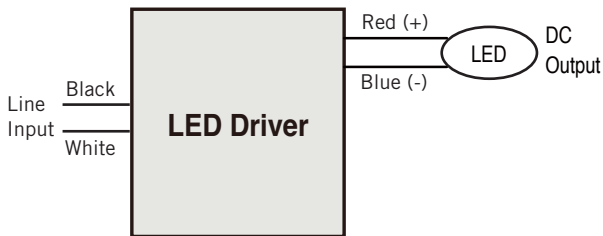
# KTLD-90-1-2625-L5

## CONSTANT CURRENT LED DRIVER

### PHYSICAL SPECIFICATIONS



### WIRING DIAGRAM



### WIRING SPECIFICATIONS

<b>INPUT</b>	12", UL 1316 #18AWG (Black and White)
<b>OUTPUT</b>	12", UL 1316 #18AWG (Red and Blue)

### ORDERING INFORMATION

ORDER CODE	PACKAGING STYLE	PACK QTY.	ITEM STATUS
KTLD-90-1-2625-L5-CP	Carton Pack	TBD	Quick Ship

### CATALOG NUMBER BREAKDOWN

