



KTLD-P-PGMR-1

PROGRAMMING ACCESSORIES

DESCRIPTION

SmartCurrent Flex Programming Accessories to connect a computer or laptop to programmable LED drivers in the SmartCurrent Flex family.

APPLICATION

SmartCurrent Flex programmer (KTLD-P-PGMR-1) connects to a computer or laptop by USB-A.

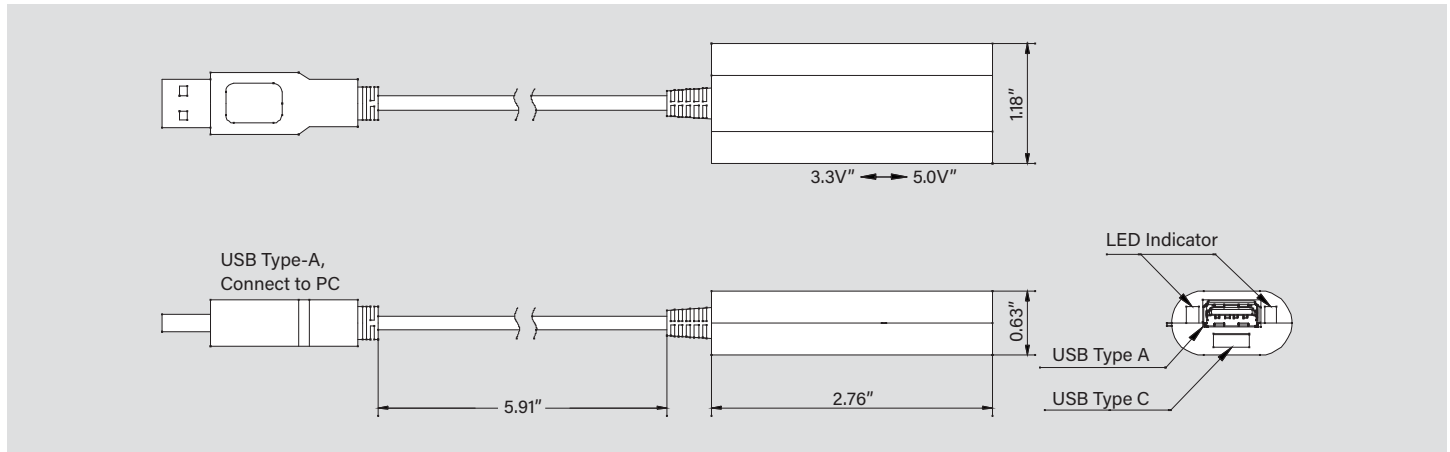
- KTLD-P-USB-T4 programming cable for use with linear LED drivers.
- KTLD-P-USB-RJ9 programming cable for use with compact LED drivers.
- KTLD-P-USB-AUX programming cable for use with Microcase LED drivers.



5 YEAR WARRANTY

PHYSICAL SPECIFICATIONS

KTLD-P-PGMR-1



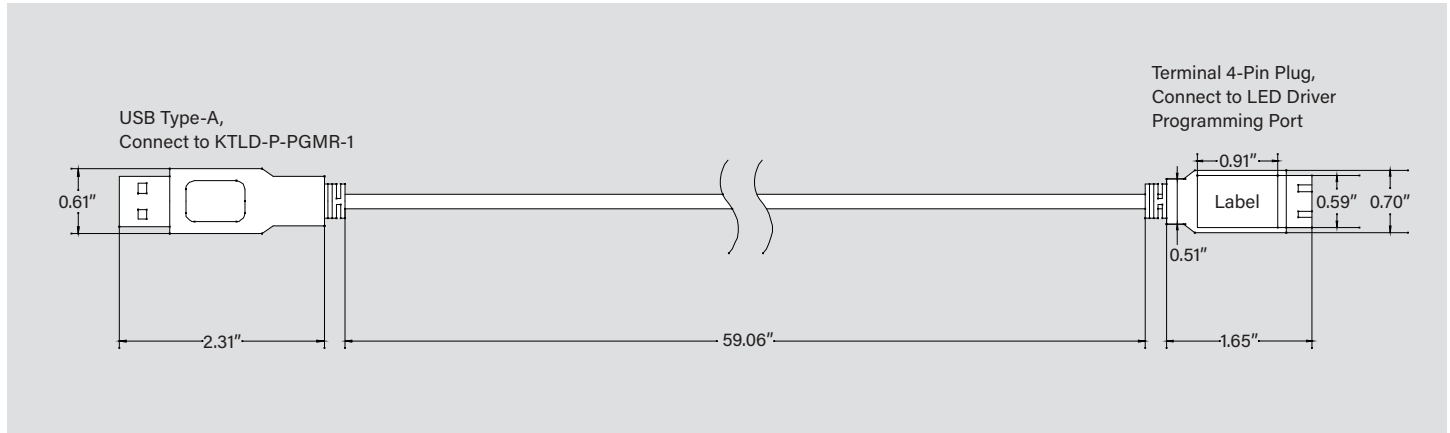
(Physical specifications continued on next page)

KTLD-P-PGMR-1

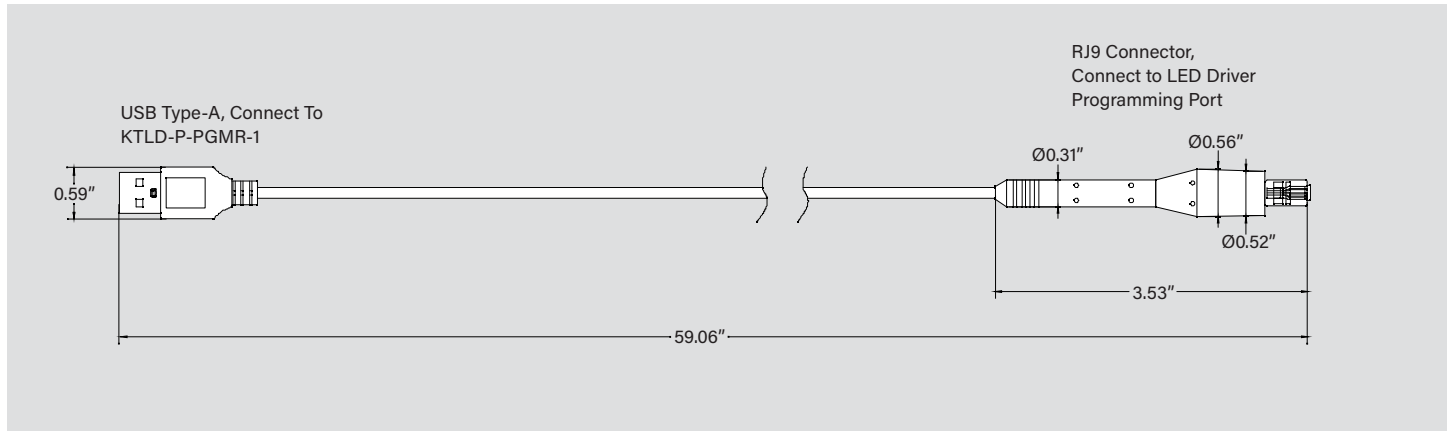
PROGRAMMING ACCESSORIES

PHYSICAL SPECIFICATIONS (CONTINUED)

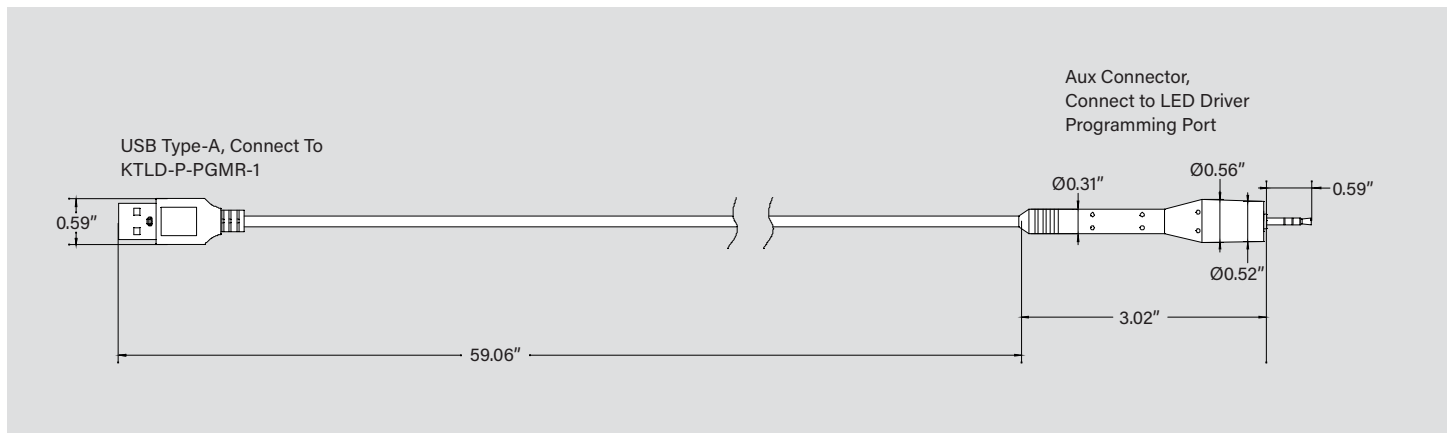
KTLD-P-USB-T4



KTLD-P-USB-RJ9



KTLD-P-USB-AUX





KTLD-P-PGMR-1

PROGRAMMING ACCESSORIES

ORDERING INFORMATION

CATALOG NUMBER	UPC	EASY CODE
KTLD-P-PGMR-1	843654159027	DFN-41
KTLD-P-USB-T4	843654159034	BNR-40
KTLD-P-USB-RJ9	843654166292	XHK-44
KTLD-P-USB-AUX	843654169439	OKA-82

CATALOG NUMBER BREAKDOWN

UNIVERSAL PROGRAMMER

KTLD-P-PGMR-1

1
2
3
4

- 1** Keystone Technologies LED Driver
- 2** Programmable
- 3** Programmer
- 4** Type 1

PROGRAMMING CABLES

KTLD-P-USB-XXX

1
2
3
4

- 1** Keystone Technologies LED Driver
- 2** Programmable
- 3** USB-A Connection to Programmer
- 4** Connector

4 Connector

T4	Terminal 4-Pin Plug Connection to LED Driver
RJ9	RJ9 Connector to LED Driver
AUX	Aux Connector to LED Driver