

KTSB-E-0432-14-UV	
Ballast Type	Electronic
Starting Method	Instant Start
Lamp Connection	Parallel
Input Voltage	120 ~ 277Vac ± 10%
Input Frequency	60Hz / 50Hz

Electronic Sign Ballast for 4,3,2,and 1 T12HO lamps up to 8ft long or any combination thereof from 4-32 ft.

Electronic Sign Ballast for 4,3,2 and 1 T8HO lamps up to 6ft long or any combination thereof from 4-24 ft.

ELECTRICAL SPECIFICATIONS:

Lamp		Lamp Footage		Volts	Input Watts	Input Current (Amps)	Power Factor	Crest Factor	Max. THD %
Type	#	Min	Max						
T12HO (F96T12/HO)	4,3,2,1	4	32	120	267	2.40	>0.90	<1.7	10
T12HO (F96T12/HO)	4,3,2,1	4	32	277	267	1.00	>0.90	<1.7	10
T8HO (F72T8/HO)	4,3,2,1	4	24	120	244	2.20	>0.90	<1.7	10
T8HO (F72T8/HO)	4,3,2,1	4	24	277	242	0.90	>0.90	<1.7	10

PERFORMANCE:

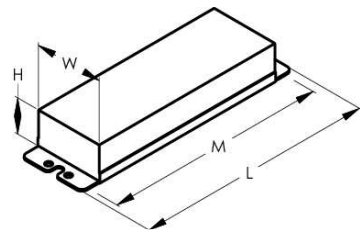
- Sound Rated: A
- Minimum Starting Temperature: -20°F, -29°C
- Maximum Case Temperature: 194°F, 90°C
- Meets FCC Part 18 (Class A) Non Consumer Limits

APPROVALS:

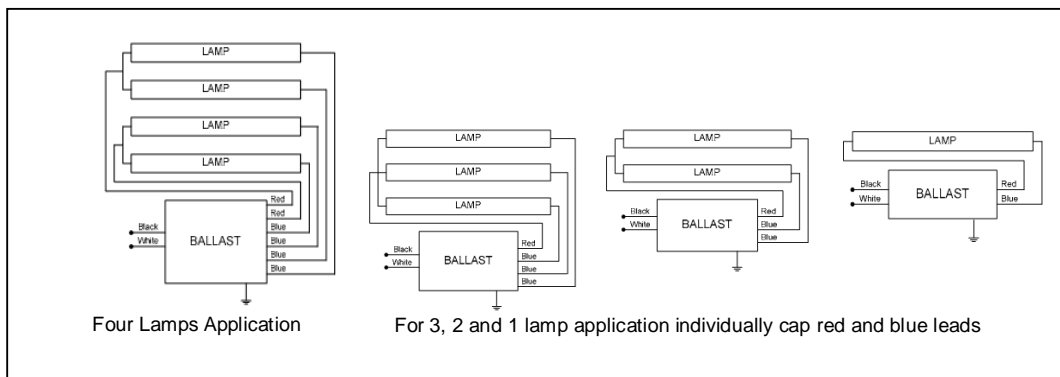
- UL, cUL 935 Listed

PHYSICAL DIMENSIONS:

Length (L):	11.65"
Width (W):	3.15"
Height (H):	1.85"
Mounting (M):	11.0"
Lead Length:	
White, Black	24"
Blue	120"x120"x120"x120"
Red	120"x120"



WIRING DIAGRAM:



Hot Spot Location:

