

KTSB-E-0848-46-UV	
Ballast Type	Electronic
Starting Method	Instant Start
Lamp Connection	Parallel
Input Voltage	120 ~ 277Vac ± 10%
Input Frequency	60Hz / 50Hz

Electronic Sign Ballast for 6,5,and 4 T12HO lamps up to 8ft long or any combination thereof from 8-48 ft.

Electronic Sign Ballast for 6,5,and 4 T8HO lamps up to 6ft long or any combination thereof from 16-36 ft.

ELECTRICAL SPECIFICATIONS:

Lamp Type	Lamp #	Lamp Footage		Volts	Input Watts	Input Current (Amps)	Power Factor	Crest Factor	Max. THD %
		Min	Max						
T12HO (F96T12/HO)	6,5,4	8	48	120	410	3.50	>0.98	<1.7	10
T12HO (F96T12/HO)	6,5,4	8	48	277	405	1.50	>0.97	<1.7	10
T8HO (F72T8/HO)	6,5,4	16	36	120	370	3.20	>0.98	<1.7	10
T8HO (F72T8/HO)	6,5,4	16	36	277	365	1.36	>0.96	<1.7	10

PERFORMANCE:

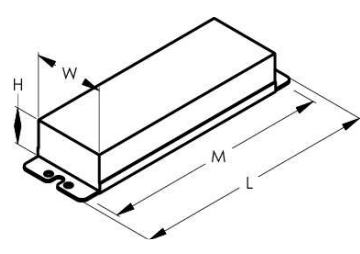
- Sound Rated: A
- Minimum Starting Temperature: -20°F, -29°C
- Maximum Case Temperature: 194°F, 90°C
- Meets FCC Part 18 (Class A) Non Consumer Limits

APPROVALS:

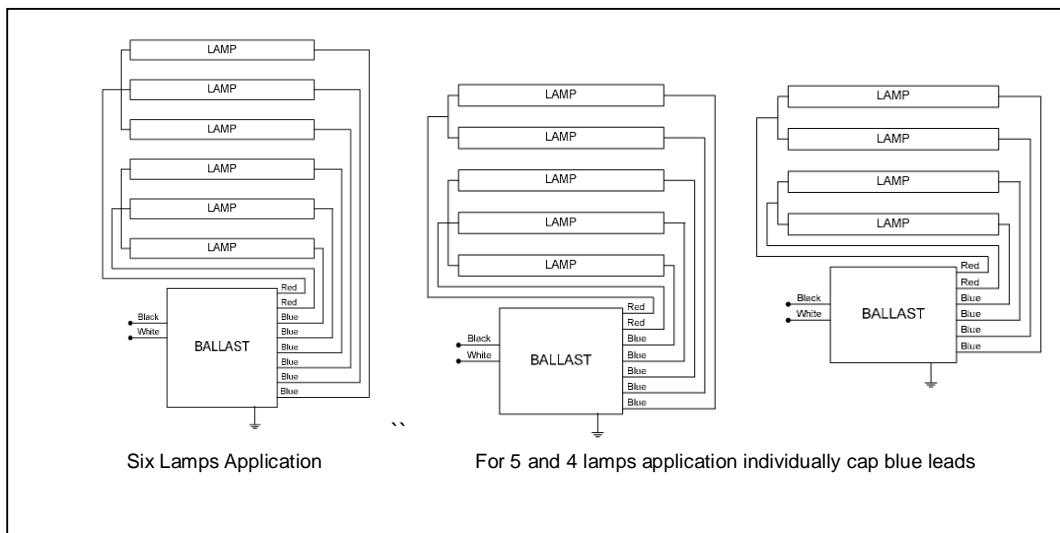
- UL, cUL 935 Listed

PHYSICAL DIMENSIONS:

Length (L):	14.45"
Width (W):	3.23"
Height (H):	2.20"
Mounting (M):	13.75"
Lead Length:	
White, Black	24"
Blue	(6)120"
Red	(2)120"



WIRING DIAGRAM:



Hot Spot Location:

