

# Lumination® LED Luminaires

## LALR Series LED Recessed Linear Luminaire

Project name: \_\_\_\_\_

Date: \_\_\_\_\_

Type: \_\_\_\_\_

### Product Description:

Current's Lumination® LED fixtures with TriGain® LALR Series are designed to flawlessly integrate into ceiling systems or drywall ceilings, to deliver beautiful lighting for commercial applications by forming uniform lines of light. The series can be recessed individually or in continuous rows. The Architectural Linear platform offers long life and high efficiency to minimize operating and maintenance costs, along with delivering enhanced CRI and R9 without sacrificing efficiency. The LALR is also available with a matching intersection corner pattern or louver option.



### Performance Summary:

- Down Distribution Patterns:** Medium or Louver (no lens)
- Down Delivered Lumen Output:** 400, 500, 600, 700, 800, 900 or 1000 lumens/foot
- System Input Power:** 3-10 Watts/foot
- System Efficacy:** >90 LPW
- Input Voltage:** 120-277V, 347V
- Standard Dimming Control:** 0-10V, Daintree
- CCT:** 3000K, 3500K & 4000K
- Typical CRI:** 83, TriGain® 90
- Color Consistency:** 4 Step MacAdam Ellipse
- Input Frequency:** 50/60Hz
- Power Factor:** >0.9
- Weight:** 8lbs - 17lbs
- Mounting:** T-Grid or Drywall
- Warranty:** 5 years standard
- Rated Life:** L75 @ 50,000 hrs.
- Storage Temperature:** -40°C to 70°C
- Operating Temperature:** -10° up to 30° C
- Maximum Run Length:** 50 ft. per 1 powerdrop
- Applications:** Suitable for dry and damp locations. IC Rated.

Certified by:



### Ordering Information:

For Replacement Parts, refer to the LAL Replacement Guide

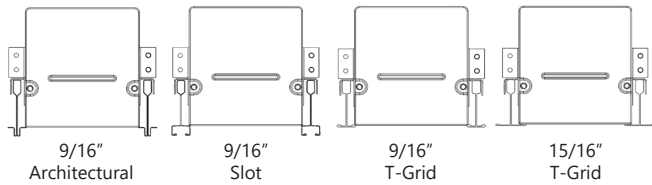
FAMILY	FIXTURE WIDTH	FIXTURE LENGTH	GEN.	VOLTAGE	UP LIGHT DISTRIBUTION	UP LIGHT LUMENS/FOOT	DOWNLIGHT DISTRIBUTION	DOWN LIGHT LUMENS/FOOT	CRI/CCT	CONTROLS	MOUNTING	FINISH <sup>5</sup>	OPTIONS
LALR	2= 2 inch 4= 4 inch	2 <sup>1,6</sup> = 2' Length 4 <sup>4</sup> = 4' Length 5 = 5' Length 6 = 6' Length 8 = 8' Length	A	0 <sup>3,6</sup> = 120V-277 D= 347V	NA = No Uplight	00 = No Uplight	MM = Medium Flush Lens LW <sup>2</sup> = Louver, Matte White	10 = 1,000 LM/FT 09 = 900 LM/FT 08 = 800 LM/FT 07 = 700 LM/FT 06 = 600 LM/FT 05 = 500 LM/FT 04 = 400 LM/FT	830 = 83 CRI 3000K T35 = TriGain® 3500K T40 = TriGain® 4000K	VQ <sup>6</sup> = 0-10V no controls TQ <sup>3</sup> = Wireless Enabled, Daintree Compatible TS <sup>3</sup> = Wireless Enabled, Compatible w/Daintree WFA100	TS = T-Grid Starter/Stand Alone TC = T-Grid Continuous Starter/Stand Alone DS = Drywall (Trimless) Starter/Stand Alone DC = Drywall (Trimless) Continuous  <b>Patterns</b> L9 <sup>2,4,6</sup> = 90° L intersection	WHITE = White BLCK = Black SLVR = Silver	BLANK = No Options EL <sup>6</sup> = Emergency Battery CP <sup>7</sup> = Chicago Plenum

#### Ordering Notes:

1. 2ft length must have a minimum 800lm/ft. 2ft is available in Stand Alone/Starter (TS/DS mounting options).
2. Louvers (LW option) are field installed and have no lens. LW option not available for Corner fixture (L9 option).
3. Daintree controls (TQ or TS option) are only available with 120-277V (0 voltage option).
4. Corner fixture (L9 option) is only available in 4ft length (length option 4). Refer to Dimensional information. Verify T-Grid dimensional information for proper layout.
5. Contact manufacturer for quote on custom colors. Additional lead times and minimum order quantities are applicable.
6. Integral Emergency Battery (EL option) only available with 120-277V (0 voltage option) and 0-10V controls (VQ option). EL is not available for 2ft lengths or Corner fixtures (L9 option).
7. Chicago Plenum (CP option) meets CCEA requirements.

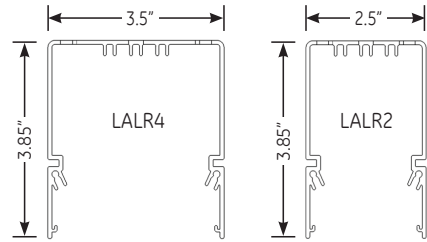
Linear LALR

T-Grid Mounting Method

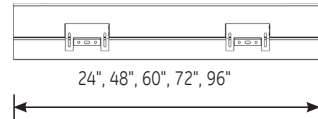


LALR4 - T-Grid mounted 4" on center  
 LALR2 - T-Grid mounted 3" on center  
 \*\*See installation notes

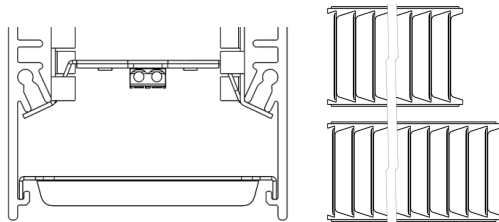
**NOTE:**  
 Adjustable brackets allow for user-determined fixture reveal



\*Stand Alone/Starter dimensions are 3/8" shorter than specified length to allow for proper grid installation and include a pair of Endcaps.  
 Each row of connected fixtures requires one Stand Alone/Starter Fixture and the necessary quantity of Continuous fixtures to make the necessary length.



Louvers Lens (LW option)

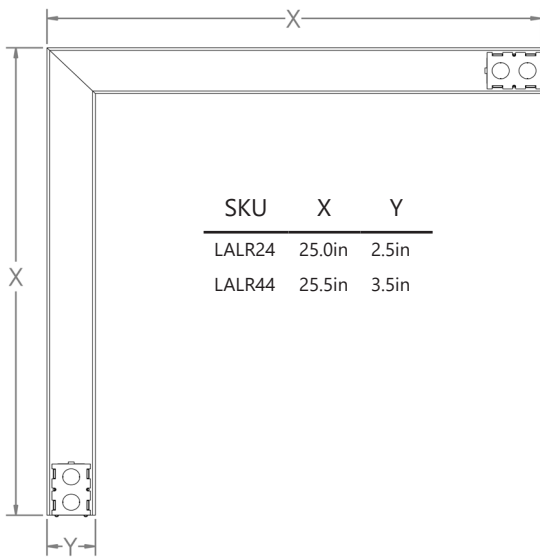


Louver Length = 11 inches  
 ONE used in every LALR Starter Fixture

Louver Length = 12 inches  
 Multiples used in LALR Continuous Fixtures, depending on fixture length

- Provided in separate packs with fixtures, to be installed on site (see Install Guide for proper orientation).
- Louvers are matte white painted finish.
- Louvered fixtures do not have a lens.

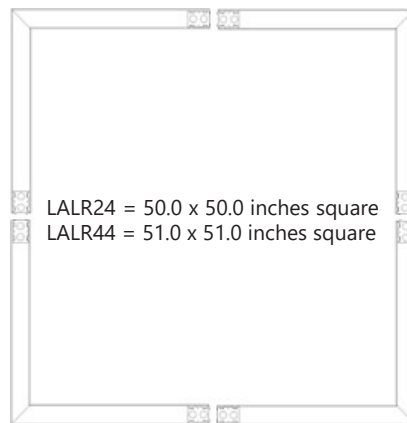
Corner Intersection Pattern (L9 option)



\* Fixture is provided with (2) Knockout plates, (4) T-Grid brackets, (4) Drywall brackets, and Male/Male and Female/Female jumper harnesses.

LALR Corner fixtures are continuous and intended to be installed with additional luminaries. A starter fixture is recommended to provide end caps and power connections.

**Note:** If no starter fixtures are needed, as shown below, need to separately order the Leader Cable Kit #93120219 (see Kits Section for additional information).



# Flexibility in Design - How to Configure: Lumination® LALR Series

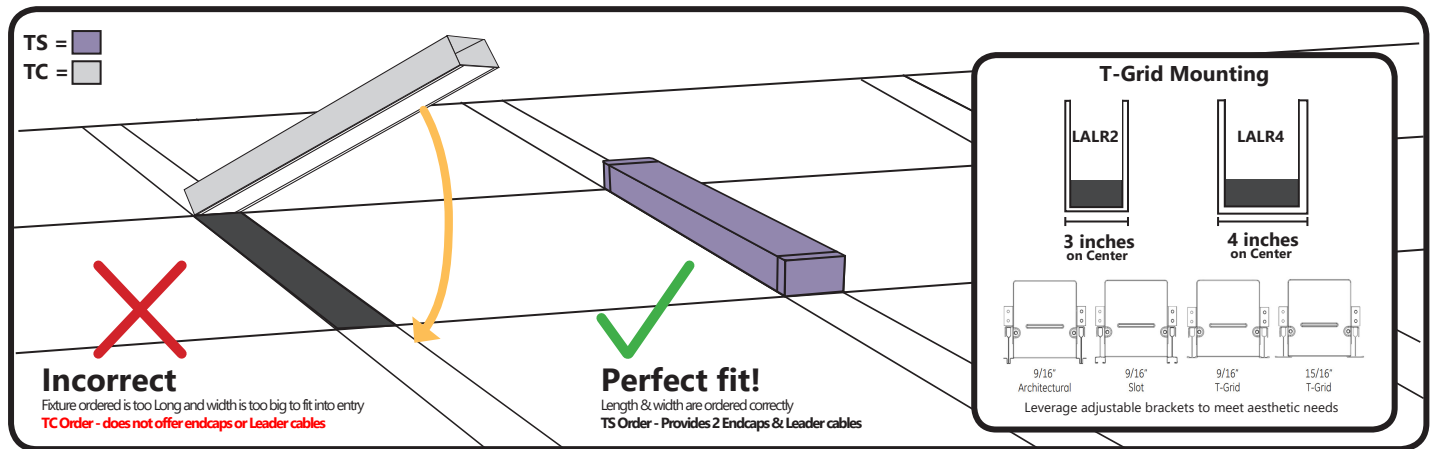
The Lumination® Architectural Linear Recessed (LALR) Series provides you with the flexibility to configure the lighting system to the project design needs, while providing cost-effective options. Review important installations note below and in the Installation Guide.

## Understanding Recessed Standalone versus Continuous Fixtures

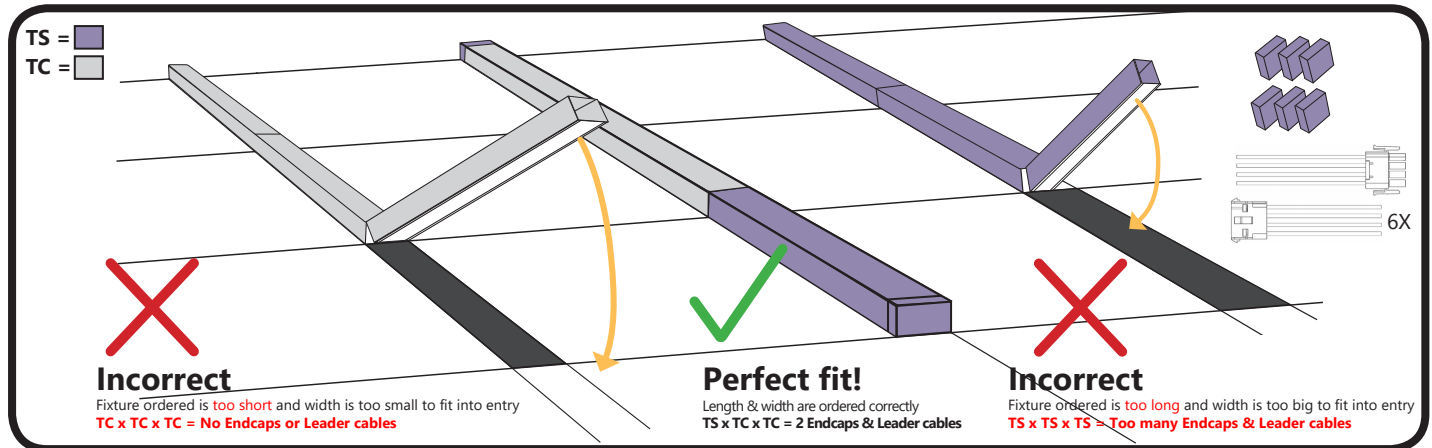
A Standalone/Starter fixture for mounting in T-Grid (TS option) or Drywall (DS option) is **REQUIRED** to begin a continuous run of fixtures. This fixture's dimension, including end caps, is **3/8" shorter** than the specified length to allow for proper grid installation.

For more detailed information, refer to the LALR Installation Guide.

### Individual



### Continuous Run



# Performance: Lumination® LALR Series

## LALR2 Down Light

Product Width & Length	CAT Logic	Lm/ft	Nominal Lumens	4000K TriGain® Wattage	3500K TriGain® Wattage	3000K Standard Wattage
22	08	800	1600	16.7	17.2	18.2
22	09	900	1800	18.9	19.7	20.4
22	10	1000	2000	21.2	22.0	23.0
24	04	400	1600	15.1	15.6	16.4
24	05	500	2000	19.2	19.7	20.8
24	06	600	2400	23.1	23.8	25.1
24	07	700	2800	27.1	27.9	29.4
24	08	800	3200	31.2	32.3	33.8
24	09	900	3600	35.3	36.6	38.4
24	10	1000	4000	40.5	41.8	43.9
25	04	400	2000	18.8	19.3	20.2
25	05	500	2500	23.4	24.2	25.4
25	06	600	3000	28.3	29.3	30.8
25	07	700	3500	33.5	34.5	36.2
25	08	800	4000	38.7	39.9	41.8
25	09	900	4500	44.0	45.3	47.7
25	10	1000	5000	47.2	48.7	49.4
26	04	400	2400	22.7	23.5	24.7
26	05	500	3000	28.7	29.8	31.3
26	06	600	3600	35.0	36.1	37.8
26	07	700	4200	41.4	42.6	44.6
26	08	800	4800	47.7	49.2	51.7
26	09	900	5400	54.5	56.0	58.8
26	10	1000	6000	61.0	63.0	66.1
28	04	400	3200	29.3	30.2	31.6
28	05	500	4000	36.7	37.7	39.6
28	06	600	4800	44.4	46.0	48.3
28	07	700	5600	52.8	54.7	57.7
28	08	800	6400	60.9	63.0	66.4
28	09	900	7200	69.8	72.1	75.8
28	10	1000	8000	75.0	77.6	77.9

## LALR4 Down Light

Product Width & Length	CAT Logic	Lm/ft	Nominal Lumens	4000K TriGain® Wattage	3500K TriGain® Wattage	3000K Standard Wattage
42	08	800	1600	15.2	15.7	16.4
42	09	900	1800	17.4	17.9	18.7
42	10	1000	2000	19.4	19.9	21.0
44	04	400	1600	14.9	14.9	14.9
44	05	500	2000	17.4	17.9	18.7
44	06	600	2400	21.0	21.8	22.8
44	07	700	2800	24.6	25.4	26.6
44	08	800	3200	28.4	29.4	30.7
44	09	900	3600	32.3	33.3	34.8
44	10	1000	4000	36.9	37.9	39.7
45	04	400	2000	17.1	17.6	18.5
45	05	500	2500	21.5	22.0	23.2
45	06	600	3000	25.9	26.6	28.1
45	07	700	3500	30.6	31.5	33.0
45	08	800	4000	35.2	36.2	38.2
45	09	900	4500	40.1	41.3	43.3
45	10	1000	5000	45.0	46.5	48.7
46	04	400	2400	20.7	21.3	22.4
46	05	500	3000	26.2	27.0	28.3
46	06	600	3600	31.8	32.8	34.4
46	07	700	4200	37.5	38.7	40.6
46	08	800	4800	43.4	44.8	47.0
46	09	900	5400	49.4	51.0	53.5
46	10	1000	6000	55.6	57.3	60.2
48	04	400	3200	26.7	27.4	28.8
48	05	500	4000	33.3	34.3	35.9
48	06	600	4800	40.4	41.6	43.7
48	07	700	5600	47.8	49.4	52.0
48	08	800	6400	55.3	57.1	60.2
48	09	900	7200	63.3	65.1	68.5
48	10	1000	8000	71.3	73.7	77.6

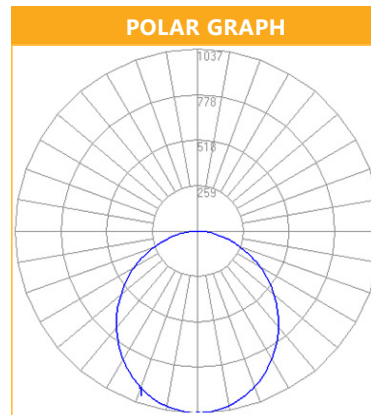
\*NOTE: Corner (L9) option, use LALR24 (24) or LALR44 (44) only from the Product Column in table above.

## Photometric Data: Lumination® LALR Series

DOWN ONLY - MEDIUM FLUSH LENS  
LALR-4-4-A-0-NA-00-MM-07-XXX-XX-WHTE-XX

ZONAL LUMEN SUMMARY	
Zone	Lumens
0-10°	100
10-20°	283
20-30°	420
30-40°	493
40-50°	497
50-60°	438
60-70°	328
70-80°	186
80-90°	49
90-100°	0
100-110°	0
110-120°	0
120-130°	0
130-140°	0
140-150°	0
150-160°	0
160-170°	0
170-180°	0

ZONAL LUMEN SUMMARY		
Zone	Lumens	% of Fixture
0-30°	804	29
0-60°	2233	80
0-90°	2800	100
90-120°	0	0
90-130°	0	0
90-150°	0	0
90-180°	0	0
0-180°	2800	100.0



For more information please see IES files at [www.LED.com](http://www.LED.com)

# Photometric Data: Lumination® LALR Series

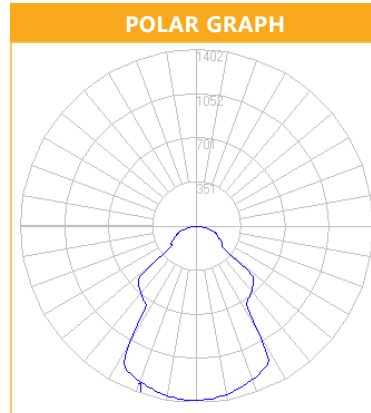
DOWN ONLY - WHITE LOUVERS (NO LENS)  
LALR-4-4-A-0-NA-00-LW-07-XXX-XX-WHTE-XX

## ZONAL LUMEN SUMMARY

Zone	Lumens
0-10°	130
10-20°	369
20-30°	546
30-40°	562
40-50°	507
50-60°	345
60-70°	206
70-80°	108
80-90°	27
90-100°	0
100-110°	0
110-120°	0
120-130°	0
130-140°	0
140-150°	0
150-160°	0
160-170°	0
170-180°	0

## ZONAL LUMEN SUMMARY

Zone	Lumens	% of Fixture
0-30°	1045	37
0-60°	2459	89
0-90°	2800	100
90-120°	0	0
90-130°	0	0
90-150°	0	0
90-180°	0	0
0-180°	2800	100



For more information please see IES files at [www.LED.com](http://www.LED.com)

## Product Specifications: Lumination® LALR Series

### Construction & Finish:

- Durable, long lasting construction. Aluminum extrusion.
- Commercial quality coated with Electrostatic Powder Coat Paint.

### Electrical system:

- Class 2, replaceable, high efficiency LED driver rated for 50,000 hours rated life when used within operating conditions.
- THD: <20%.
- Transient Protection: 100 kHz ring wave, 2 kV level.
- Environmental Testing: High Temperature High Humidity: 60°C/90% (non-condensing).
- **Input Current:** See performance tables for specific configuration ratings.

### Optical System:

- Precision formed optical assembly comprised of high efficiency reflector and optical diffuser.
- No visible LEDs with down light MM option.

### Installation:

- Suitable for dry and damp locations. IC-rated.
- Flexible mounting.
- Use UL/cUL approved conduit fittings for 1/2" conduit trade size.
- T-grid and Drywall Applications.
- T-Grid versions rest on standard 9/16" and 15/16".
- Adjustable bracket allows for user-determined fixture reveal.
- Drywall versions are secured to the structure and to the adjacent ceiling. A LED cover is provided for protection of the interior components.
- For Drywall applications, corner bead to finish drywall not provided by manufacturer, must be provided by installer. See Installation Guides.
- Always refer to the Installation Notes and Guide for more details.

### Standard Configuration Notes:

- Each row of connected fixtures requires one Stand Alone/Starter Fixture and the necessary quantity of Continuous fixtures to make the necessary length.
- Each Stand Alone/Starter is provided with a pair of end caps.

### EMBB:

- Integral to fixture.
- Test switch to be remotely mounted during fixture install.
- Additional 4 watts to the nominal power listed.

For more information and access to all of our resources, including our design tool visit: [www.gecurrent.com](http://www.gecurrent.com)



© 2020 Current Lighting Solutions, LLC. All rights reserved. GE and the GE monogram are trademarks of the General Electric Company, CMH is a trademark of Consumer Lighting Solutions, LLC, and are used under license. Information provided is subject to change without notice. All values are design or typical values when measured under laboratory conditions.