

LED Driver Type	Constant Current (Class 2)
Maximum Wattage	14 Watts
Input Voltage	120-277 VAC ± 10% Universal 120 VAC ± 10% Dedicated
Input Frequency	50/60Hz

APPROVALS:

- UL 8750 recognized component
- EN61000-3-2



L SERIES

LED DRIVERS

ELECTRICAL SPECIFICATIONS

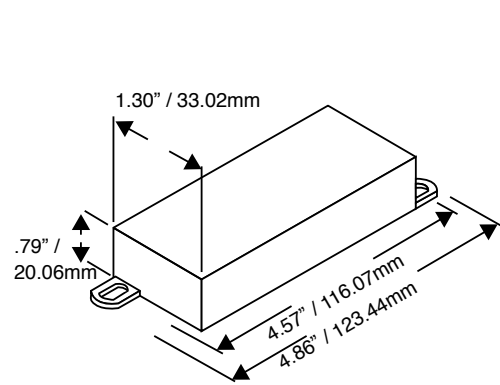
Watts	Rated Current (mA)	Output Voltage	Dimming Type	Input Voltage	Input Power	Input Current 120/277V	Power Factor	Efficiency	Hatch Part Number	Case Style
Dimming Models										
14	260mA	18-54 VDC	Phase Dimming	120 VAC	17W	0.17A	>0.90	77%	LC14-0260P-120-C	C
	350mA	10-40 VDC	Phase Dimming	120 VAC	17W	0.17A	>0.90	77%	LC14-0350P-120-C	C
	500mA	10-28 VDC	Phase Dimming	120 VAC	17W	0.17A	>0.90	77%	LC14-0500P-120-C	C
	700mA	7-20 VDC	Phase Dimming	120 VAC	17W	0.17A	>0.90	77%	LC14-0700P-120-C	C
14	350mA	20-40 VDC	0-10V Dimming	Universal 120 - 277 VAC	17W	0.15A / 0.08A	>0.90	82%	LC14-0350Z-UNV-S	S
	400mA	18-35 VDC	0-10V Dimming	Universal 120 - 277 VAC	17W	0.15A / 0.08A	>0.90	82%	LC14-0400Z-UNV-S	S
	450mA	15-30 VDC	0-10V Dimming	Universal 120 - 277 VAC	17W	0.15A / 0.08A	>0.90	82%	LC14-0450Z-UNV-S	S
	500mA	14-28 VDC	0-10V Dimming	Universal 120 - 277 VAC	17W	0.15A / 0.08A	>0.90	82%	LC14-0500Z-UNV-S	S
	600mA	12-24 VDC	0-10V Dimming	Universal 120 - 277 VAC	17W	0.15A / 0.08A	>0.90	80%	LC14-0600Z-UNV-S	S
	700mA	12-20 VDC	0-10V Dimming	Universal 120 - 277 VAC	17W	0.15A / 0.08A	>0.90	80%	LC14-0700Z-UNV-S	S
Non-Dimming Models										
14	350mA	15-40 VDC	Non-Dimming	Universal 120 - 277 VAC	17W	0.15A / 0.07A	>0.90	80%	LC14-0350N-UNV-C	C
	700mA	10-20 VDC	Non-Dimming	Universal 120 - 277 VAC	17W	0.15A / 0.07A	>0.90	80%	LC14-0700N-UNV-C	C

PRODUCT FEATURES :

- Protection: Short circuit and overload protection
- EMC: Meets FCC47 CFR Part 15 (Class B) Consumer Limits @ 120V
- EMC: Meets FCC47 CFR Part 15 (Class A) Non Consumer limits @ 277V
- Type 1 Outdoor, suitable for dry and damp locations (IP20)
- Withstanding Voltage: I/P – O/P 2kVAC

- Temperature Range: -30° - 60°C

CASE DIMENSIONS & MECHANICAL SPECIFICATIONS:



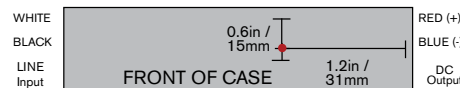
CASE STYLE

C - Polycarbonate Casing

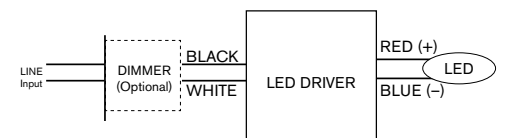
Wiring Information

Input : 12", UL 1316#18AWG (Black and White)
Output : 12", UL 1316#18AWG (Red and Blue)

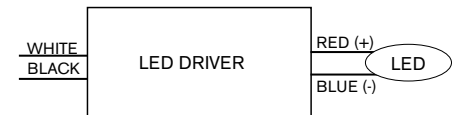
Tc Point Location Max. T c Point Temp.: 90°C



DIMMING WIRING DIAGRAM:

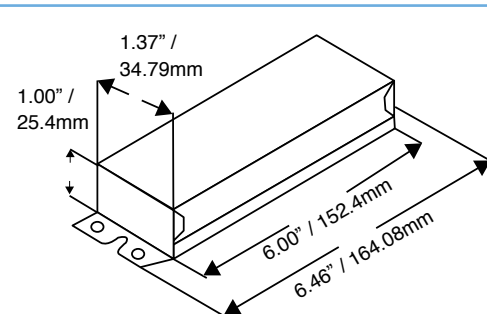


NON-DIMMING WIRING DIAGRAM:



Packaging Information

Weight : 5.29oz
Quantity : 40pcs/carton



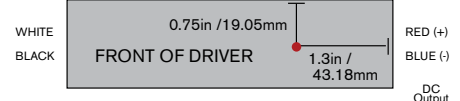
CASE STYLE

S - Metal Casing

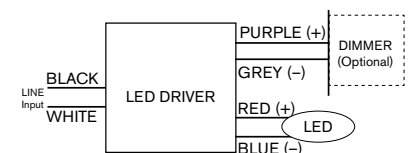
Wiring Information

Input : 12", UL 1316#18AWG (Black and White)
Output : 12", UL 1316#18AWG (Red and Blue)

Tc Point Location Max. T c Point Temp.: 90°C



DIMMING WIRING DIAGRAM:



Packaging Information

Weight : 8.1oz
Quantity : 20pcs/carton