

LED Driver Type	Constant Current (Class2)
Maximum Wattage	30 Watts
Input Voltage	120-277 VAC ± 10% Universal
Input Frequency	50/60Hz

APPROVALS:

- UL 8750 recognized component
- EN61000-3-2



L SERIES

LEDDRIVERS

ELECTRICAL SPECIFICATIONS

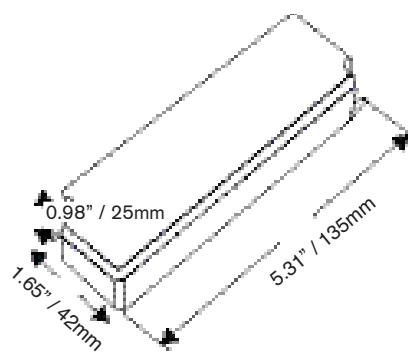
Watts	Rated Current (mA)	Output Voltage	Dimming Type	Input Voltage	Input Power	Input Current 120/277V	Power Factor	Efficiency	Hatch Part Number	Case Style
30	350mA	28-85 VDC	0-10 Volt Dimming	Universal 120 - 277 VAC	30W	0.28A / 0.13A	>0.90	89%	LC30-0350Z-UNV-FF	FF
	400mA	25-75 VDC	0-10 Volt Dimming	Universal 120 - 277 VAC	30W	0.29A / 0.13A	>0.90	88%	LC30-0400Z-UNV-FF	FF
	450mA	22-66 VDC	0-10 Volt Dimming	Universal 120 - 277 VAC	30W	0.29A / 0.13A	>0.90	88%	LC30-0450Z-UNV-FF	FF
	700mA	14-42 VDC	0-10 Volt Dimming	Universal 120 - 277 VAC	30W	0.29A / 0.13A	>0.90	87%	LC30-0700Z-UNV-FF	FF
	830mA	12-36 VDC	0-10 Volt Dimming	Universal 120 - 277 VAC	30W	0.29A / 0.13A	>0.90	87%	LC30-0830Z-UNV-FF	FF
	1250mA	8-24 VDC	0-10 Volt Dimming	Universal 120 - 277 VAC	30W	0.29A / 0.13A	>0.90	87%	LC30-1250Z-UNV-FF	FF
	1660mA	6-16 VDC	0-10 Volt Dimming	Universal 120 - 277 VAC	30W	0.30A / 0.13A	>0.90	84%	LC30-1660Z-UNV-FF	FF
	2500mA	4-12 VDC	0-10 Volt Dimming	Universal 120 - 277 VAC	30W	0.30A / 0.13A	>0.90	83%	LC30-2500Z-UNV-FF	FF

- Protection: Short circuit and overload protection
- EMC: Meets FCC47 CFR Part 15 (Class B) Consumer Limits @ 120V
- EMC: Meets FCC47 CFR Part 15 (Class A) Non Consumer limits @ 277V

- Withstanding Voltage: I/P – O/P 2kVAC
- Temperature Range: -30° - 60°C

CASE DIMENSIONS & MECHANICAL SPECIFICATIONS:

DIMMING WIRING DIAGRAM:



CASE STYLE

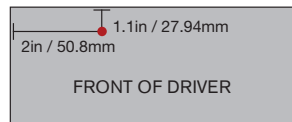
FF - Polycarbonate Casing

Wiring Information

Input : 6", UL 1316 #18AWG [White and Black]

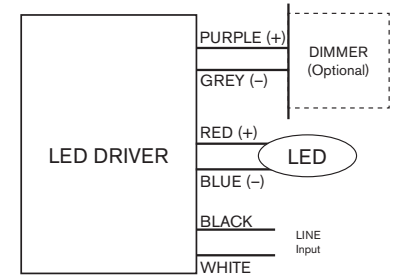
Output : 6", UL1430 #22AWG (with Class 2 Output) [Red and Blue]

Tc Point Location Max. T c Point Temp.: 90°C



PURPLE (+)
GREY (-)
RED (+)
BLUE(-)
BLACK
WHITE

DC Output



Packaging Information

Weight : 8.8oz

Quantity : 40pcs/carton