

GENERAL INFORMATION

LED Driver Type	Constant Current (Class 2)
Maximum Wattage	8.4 Watts
Input Voltage	120 - 277 VAC ± 10% Universal
Input Frequency	50/60Hz
Total Harmonic Distortion	<20%

CASE STYLE: POLYCARBONATE



ELECTRICAL SPECIFICATIONS

Watts	Rated Current	Output Voltage	Dimming Type	Input Voltage	Input Current	Power Factor	Efficiency	Hatch Part Number
8W	350mA	9-24V	Non-Dimming	120 - 277 VAC	0.12/0.06A	>0.90	80%	LCA009-RL-UNV
	700mA	6-12V	Non-Dimming	120 - 277 VAC	0.13/0.06A	>0.90	80%	LCB009-RL-UNV

PRODUCT FEATURES

- Short circuit and overload protection
- Over temperature protection
- Suitable for dry and damp locations
- Withstanding voltage: I/P – O/P 2kVAC
- Operating temperature range: -20°C to 75°C (measured at Tcase)

APPROVALS

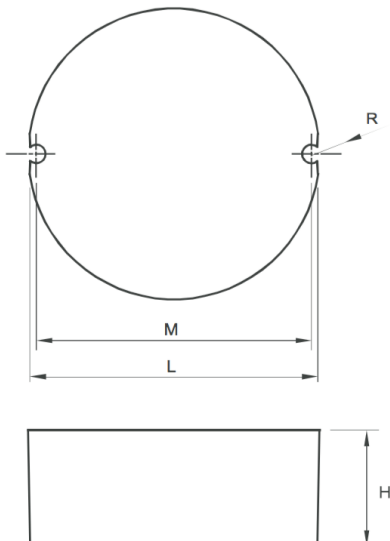
- UL 8750 recognized component
- EN61000-3-2



WARRANTY

- 5 year limited warranty

MECHANICAL SPECIFICATIONS



L = 2.17in (55mm) M = 2.05in (52mm)

H = 0.87in (22mm) R = 0.07in (1.7mm)

WIRING INFORMATION

Input: 12", Black (L), White (N) #18AWG
Output: 12", Red (+), Black (-) #18AWG

PACKAGING INFORMATION

Weight: 4.1oz
Quantity: 100pc/carton