



Project	
Notes	
Type	Date
Cat. No.	

LCP™ UX Series **LED Square Canopy Luminaire - Field Adjustable**



DESCRIPTION

The Aleo LCP™ Series, LED Square Canopy Luminaire combines energy-efficiency, low-glare optics, and simple slim profile aesthetics to deliver enhanced performance to a range of surface-mount and recessed lighting applications. Mounting plate allows for quick and easy installation. Weather-proof compartment to withstand challenging environments.

APPLICATIONS

Covered walkways, drive-thrus, semi-covered outdoor aisles, corridors, building canopies, large stairwells. Covers recessed openings for surface mount application. Perfect for school campuses.

Specification Features



Construction

Simple, white finish powder-coated housing with advanced thermal management system ensures reliability and durability.

Optical System

Prismatic, square drop lens comes standard. Lens system improves safety and security by delivering high-efficiency illumination with low glare, comfortable illumination.

Certification

ETL Listed. DLC Premium QPL.

Warranty

7-year Limited Warranty. See warranty documentation for more information.

Electrical

Luminaire utilizes high-efficacy LED packages maintained at cool temperatures for long life, high efficacy. Reliable driver features universal voltage (120-277V) for convenient installation.

Installation / Mounting

Luminaire comes standard with mounting plate for quick and easy installation. Can be mounted directly to surface junction box or surface mounted via keyhole slots on mounting plate. Covers existing 12" x 12" recessed square opening.

Controls / Dimming

Suitable for use with dimmers, sensors, daylight harvesting and other control strategies to achieve deeper energy-savings and code compliance.

Field-Adjustable CCT / Wattage

Increased versatility and reduced inventory burden. Wattage and Color Temp. Can be adjusted in the field by selecting (3) different wattages and (3) different CCTs via switch on driver box

LCP Series	
20	13W / 15W / 20W
55	36W / 45W / 55W
Rated Life 75,000 hours	
Limited Warranty 7-years	
Efficacy Over 121 LPW	
Quick Ship	
LCP-20UX/CT (SR/RC)	
LCP-55UX/CT (SR/RC)	

Ordering Information

Example: LCP-55UX/CT (SR/RC)

LCP	55	UX	CT	[Blank]	(SR/RC)
Series	Nominal Max Wattage	Lumen Package	Color Temp	Input Voltage	Controls
LCP LED Square Canopy Luminaire	20 13W / 15W / 20W 55 36W / 45W / 55W	UX Field Adjustable	CT Field Adjust. 3500K 4000K 5000K	Blank 120V-277V	(SR/RC) Sensor Ready with Sensor Receptacle See Pg. 2 for Ordering Details
Options					
Emergency Backup¹		Designation			
EM700 700 lm EM1400 1400 lm		BAA Buy American Act Compliant BABAA Build America, Buy America Act Compliant			

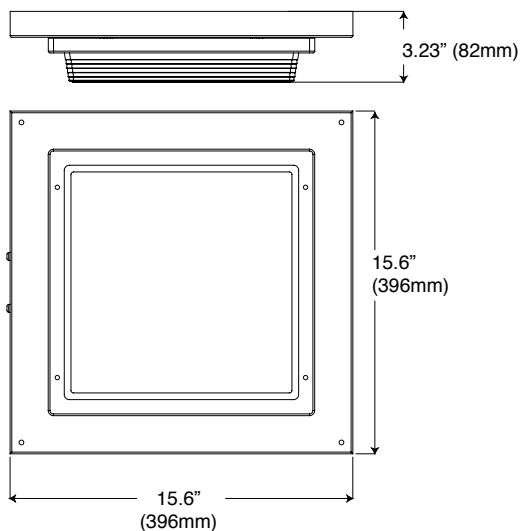
¹ IMPORTANT: THE BATTERY MUST BE RECHARGED EVERY THREE (3) MONTHS. IF NOT RECHARGED ACCORDINGLY, BATTERY MAY FAIL AND VOID WARRANTY

Specifications and Dimensions subject to change without notice.

Performance Summary

Input Voltage	120V-277V
Input Frequency	50/60 Hz
Rated Wattage	See Performance Table
Delivered Lumens	See Performance Table
Efficacy	> 121 LPW (typ.)
CRI	80+, R9 > 0
Available CCT ¹	3500K, 4000K, 5000K
Rated Life	75,000 hours
Power Factor	> 0.9
THD	< 20%
Operating Temp.	-40°C to 40°C


Product Dimensions




Performance Data

Catalog No.	Nominal Wattage (W)	Tested Wattage (W)	3500K		4000K		5000K	
			Delivered Lumens (lm)	Efficacy (lm/W)	Delivered Lumens (lm)	Efficacy (lm/W)	Delivered Lumens (lm)	Efficacy (lm/W)
LCP-20UX/CT (SR/RC)	13	12	1584	132	1632	136	1596	133
	15	15	1980	132	2040	136	1995	133
	20	18	2340	130	2412	134	2358	131
LCP-55UX/CT (SR/RC)	36	33	4290	130	4488	136	4422	134
	45	43	5375	125	5676	132	5590	130
	55	53	6413	121	6837	129	6731	127

Sensor Options

	Catalog No.	Description	Ordering	Shipping	Remote Control	Sensor Mounting
	SHF-OSDL/IR-PP3-DC-320	Multi-level High Frequency Occ Sensor w/ Photocell Function, snap-in with quick connector, IR remote setting, Rectangular	Order Separately	Field Install (Plug/Play)	RC100	Snap in Gear Tray / Behind Lens

	SHF-OSDL/BT-PP3-DC-312	AleoBlue, Wireless Bluetooth High Frequency Occ Sensor w/ Daylight Harvesting, 12V DC input, snap-in with quick connector	Order and Ship Separately	Field Install	AleoBlue App	Snap in Gear Tray / Behind Lens
---	------------------------	---	---------------------------	---------------	--------------	---------------------------------



Specifications and Dimensions subject to change without notice.

BAA and BABAA Compliant

**BAA - Buy America Act Compliant**

Complies and Qualifies for projects requiring Buy America Act (BAA) compliant product

BABA - Build America, Buy America Compliant

Complies and Qualifies for projects requiring Build America, Buy America Act (BABAA) compliant product

*Note: BAA and BABA product will require lead times approximately ranging from 12-18 weeks. Contact your Aleo representative for more information

Specifications and Dimensions subject to change without notice.

© 2025 Aleo Lighting, Inc. All rights reserved. For informational purposes only. Reproduction in whole or part is prohibited without prior written consent of the copyright owner. The information presented in this document does not form part of any quotation or contract, is believed to be accurate and reliable and may be changed without notice. No liability will be accepted by the publisher for any consequences of its use. Aleo Lighting reserves the rights make changes in specification at any time without notice.

aleo™
LED LIGHTING

Aleo Lighting, Inc.
www.aleoighting.com
10988 Bloomfield Ave.
Santa Fe Springs, CA 90670
Ph: 877-358-8825