

LDA G1 - Loading Dock Light - Single Arm



CONTRACTOR XP



(Images are shown for illustration purposes only)

Project:

Product #:

Type:

KEY FEATURES

- IP65 rated loading dock light.
- Versatile aluminum arm allows for flexibility in industrial workplaces.
- 5 year warranty.
- 30° beam angle.



SPECIFICATIONS

Housing

Rugged cast aluminium housing.

Finish

Safety yellow.

Operating Temperature

-30°C to 50°C (-31°F to 122°F).

Mounting

Wall mount.

Efficacy

Up to 130 lumens per watt.

Beam Angle

30° narrow beam angle.

Lumen Output

3900 Lm.

CCT and CRI

5000K - 70 CRI

Lifespan

L70 > 50,000 hours @ 25°C.

Warranty

5-year limited warranty. Comprehensive warranty terms can be located on www.slgus.com.

Electrical

Standard voltage 120-277V.

Certifications

UL Listed. FCC compliant. IP 65 rated.

ORDERING GUIDE

Example: LDA L40 G150K

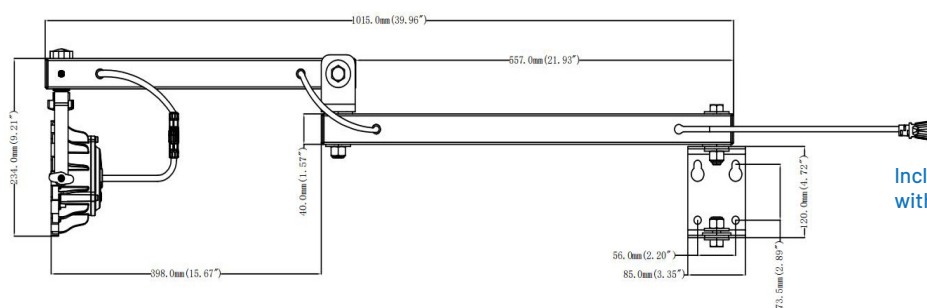
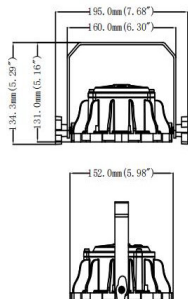
Fixture Type	Selectable Lumen Output	Generation	Voltage	CCT	Finish
• LDA LED Loading Dock Light	• L40 3,900 Lm / 30 W	• G1 First Generation	• BLANK 120-277V	• 50K 5000K	• BLANK Yellow

For stocking opportunities please reach out to your local SLG Lighting rep or contact sales@slgus.com.

Leadtimes may vary based on current inventory levels - always consult your local SLG Lighting rep for leadtimes and project needs.

DIMENSIONS

LDA G1 - Single Arm



Includes 5FT Power Cord with 3-prong plug.

SHIPPING INFORMATION

Product number	Individual box size
LDA L40 G15K	35.03" X 11.50" X 6.18"

Fixtures ship 1 per box and specific dimensions may change without notice due to improvements.

Due to continuous product improvements, specification and/or equipment updates may change without notice.