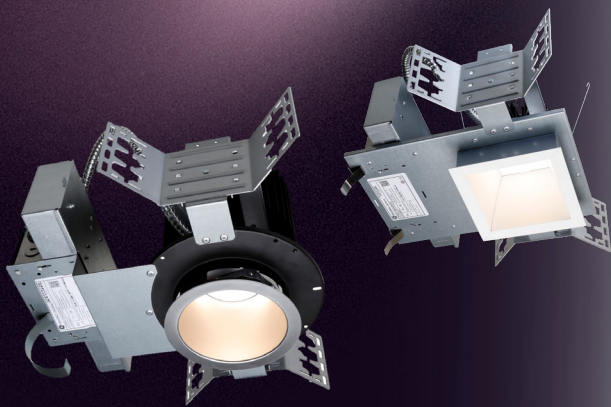




Customer Name	Date
Project Name	
Catalog Number	



DECAUX SERIES

New Construction Downlight

The **Decaux Series** leverages an advanced LED optical system and superior color rendering to achieve premium performance and aesthetics. Available in a variety of mechanical, performance and aesthetic configurations to meet any spec.

CONSTRUCTION

Housing:	Galvanized steel
Lens:	Non-conductive Polycarbonate (standard); Glass (wet rated)
Paint:	Powder coat painted reflector options
Weight:	4.5–8.0lbs (2.0–3.6kg), 7.0lb (3.18kg) Standard Option
Optical Assembly:	High efficiency reflector and optical diffuser

OPTICAL SYSTEM

Lumens:	1000–6000lm
Distribution:	Round Reflector: Narrow (42°), Wide (59°), Very Wide (70°), Wall Wash Square Reflector: Medium (47.5°), Wide (59°), Wall Wash
Efficacy:	Up to 118 LPW
CCT:	3000K, 3500K, 4000K
CRI (Min):	TriGain® 90 CRI: 1000–4000lm 90 CRI: 5000–6000lm

ELECTRICAL

Input Voltage:	120–277V, 347V
Input Frequency:	50/60Hz
Standard Dimming Control:	0–10V 1%, Daintree Wireless compatible, Lutron EcoSystem 0.1%
Power Factor (PF)*:	>90%
Total Harmonic Distortion (THD)*:	<20%

* System PF and THD specified at rated watts

CONTROLS

Dimming:	Standard 0–10V, 1%
Sensors:	Daintree® Compatible w/ Controls Kit (see Ordering for additional info) Lutron LDE1 Hi-lume 0.1% Ecosystem w/Soft-on, Fade-to-Black

OPERATING AMBIENT TEMPERATURE

Product ID	Operating Temperature
LDXB	-20° to +35° C

NOTE: EL version is 0° to 30° C

OPERATING AMBIENT TEMPERATURE

Projected Lxx per IES TM-21 at max 25°C	
LXX(10K) @ Hours	50,000 HR
L85	

MOUNTING

- New Construction, interior applications—Drywall or T-Grid

DESIGN LIFE & WARRANTY

- Damp Location rated, Wet rated lens option (round only)
- Current's Limited 5-year Warranty:
Please refer to document [IND599](#) for more information.



Customer Name	Date
Project Name	
Catalog Number	

Catalog Logic

NOTE: A complete fixture consists of a **Configured Housing + Reflector**

Configured Housing:

LDXB

FAMILY	FIXTURE TYPE	VOLTAGE	NOMINAL LUMEN	CRI	CCT	CONTROLS	OPTIONS
LDXB = Luxscena® LDX Series Architectural Downlight, 2 nd Generation	4R = 4" Round	0 = Universal 120V-277V D = 347V	10 = 1000lm	T = TriGain® 90 CRI 9 ¹⁰ = 90 CRI	30 = 3000K	V1 ⁵ = 0-10V, 1% dimming TQ ⁹ = Daintree® Enterprise Wireless Enabled (Up to 4000lm) TS ⁹ = Daintree® Enterprise Wireless Enabled with Daintree WFA100 (Up to 4000lm) LE = Lutron Hi-lume, Premier 0.1% EcoSystem with Soft-on, Fade-to-Black dimming (Up to 2000lm)	(BLANK) = None EL ^{5,9} = EMBB (Up to 4000lm) WW = Wall Wash Requires wall wash reflector
	4S = 4" Square		15 = 1500lm		35 = 3500K		
	6R = 6" Round		20 = 2000lm		40 = 4000K		
	6S = 6" Square		30 = 3000lm				
			40 = 4000lm				
	50 ¹⁰ = 5000lm						
	60 ¹⁰ = 6000lm						
			*See Performance Section for delivered lumens				

Round Reflector:

R DI R

REFLECTOR	HOUSING TYPE	BEAM SPREAD	REFLECTOR FINISH	REFLECTOR COLOR	FLANGE COLOR	OPTIONS
R = Reflector	DI4R ¹ = 4" Round DI6R ¹ = 6" Round	N = Narrow 42° W ^{1,4} = Wide 59° V ⁸ = Very Wide 70° WW ^{1,7} = Wall Wash	SD ⁴ = Semi-Diffuse DF = Diffuse SP = Specular PT ^{2,4} = Painted (white reflector color only)	(BLANK) = None WT ^{2,4} = White Paint Custom colors available. See Ordering Note 6	MR ⁴ = Match Reflector WT ² = White Paint XT ³ = Trimless	(BLANK) = None WR ⁴ = Wet Rated

Additional Ordering Notes:

1. RDI4R and RDI4S reflectors only available in **W** and **WW** beam spread.
2. White painted (**WT**) reflectors only available in **PT** reflector finish and **WT** or **XT** flange finish
3. Trimless (**XT**) only available in selected combinations. Please refer to page 3 for more information.
4. Wet rated (**WR**) only available in 4in and 6in Wide (**W**) round reflectors and semi-diffuse (**SD**) or painted (**PT**) reflector finishes.
5. Emergency battery (**EL**) compatible only with 0-10V (**V1**) and not available for 347V (**D**).
6. Custom Colors available. Contact factory representative for quote.
7. Wall Wash (**WW**) reflectors are not Energy Star rated.
8. Very Wide (**V**) available in 6" reflector only
9. Requires extended frame configuration
10. 5000 & 6000lm packages are 90 CRI only

Square Reflector:

R DIS

REFLECTOR	HOUSING TYPE	BEAM SPREAD	REFLECTOR FINISH	REFLECTOR COLOR	FLANGE COLOR	OPTIONS
R = Reflector	DI4S ¹ = 4" Square DI6S ¹ = 6" Square	M = Narrow 42° W ¹ = Wide 59° WW ^{1,9} = Wall Wash	SD = Semi-Diffuse DF = Diffuse SP = Specular PT ² = Painted (white reflector color only)	(BLANK) = None WT ² = White Paint Custom colors available. See Ordering Note 6	MR = Match Reflector WT ² = White Paint XT ³ = Trimless	(BLANK) = None

*Refer to next page for additional reflector information

TRIGAIN® SCALING TABLE

CCT	SCALING FACTOR
3000K	0.97
3500K	1.00
4000K	1.02

PERFORMANCE TABLE

NOMINAL LUMENS	1000	1500	2000	3000	4000	5000	6000	
Fixture Delivered Lumens	1100	1650	2150	3100	4000	4970	5905	
System Input Power (W)	9.4	14.0	18.5	27.5	37.5	60.4	73.4	
System Efficacy (LPW)	117	118	116	113	107	92	80	
CRI	90						92	
R9	96						>60	

Configuration Notes:

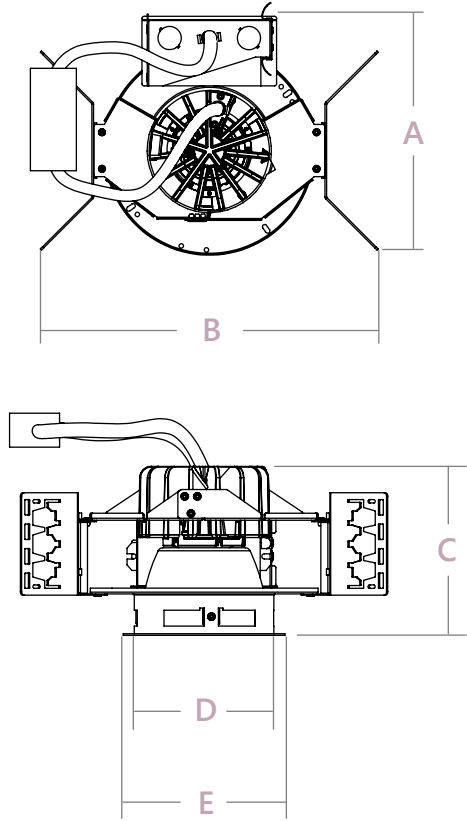
1. Table based on 3500K/4000K CCT using semi-diffused finish with 120V Input
2. White painted reflectors are ~30% reduction in performance



Customer Name	Date
Project Name	
Catalog Number	

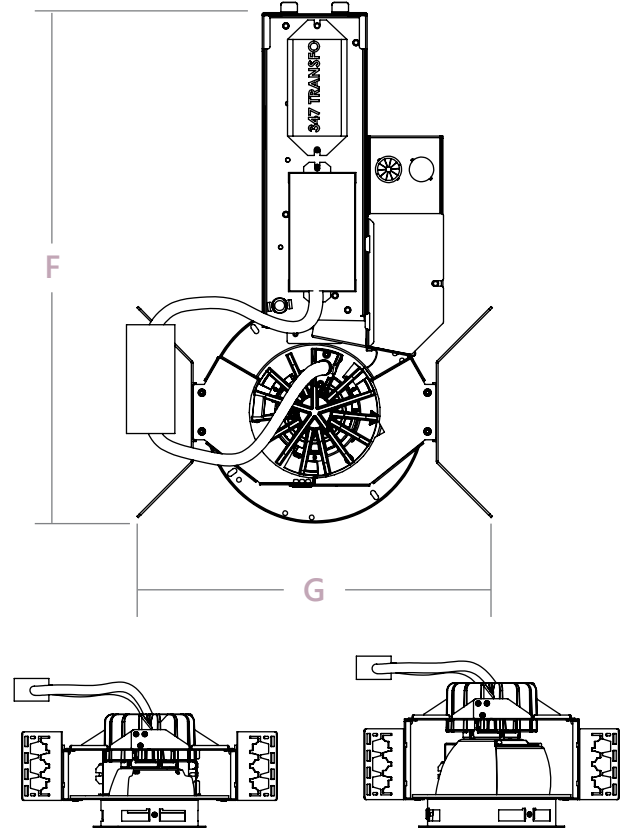
Dimensions

Standard Round (1000–4000lm)



Round (Frame Extension)

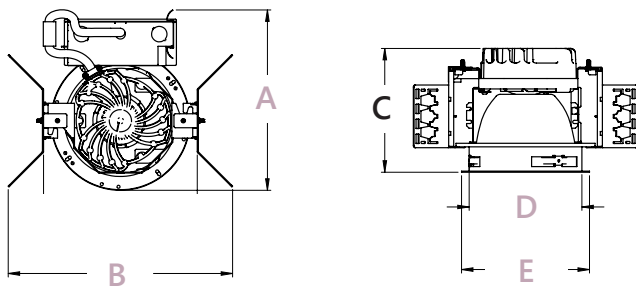
NOTE: Up to 4000lm for TQ, TS, LE and EL options



4" ROUND	4" ROUND EXTENSIONS	6" ROUND	6" ROUND EXTENSIONS
A = 9" (223mm)	F = 19" (473mm)	A = 9" (241mm)	A = 9" (241mm)
B = 13" (323mm)	G = 13" (323mm)	B = 13" (323mm)	B = 13" (323mm)
C = 6" (148mm)		C = 6" (184mm)	C = 6" (184mm)
D = 5" (123mm)		D = 5" (162mm)	D = 5" (162mm)
E = 6" (142mm)		E = 6" (184mm)	E = 6" (184mm)

NOTE: Wall wash and non-wall wash have the same dimensions

High Lumen (HL) Round Dimensions (5000lm & 6000lm)



HL 6" ROUND	HL 6" ROUND EXTENSIONS
A = 10" (259mm)	A = 11" (275mm)
B = 13" (323mm)	B = 13" (323mm)
C = 7" (178mm)	C = 7" (178mm)
D = 6" (162mm)	D = 6" (162mm)
E = 7" (184mm)	E = 7" (184mm)

NOTE: For 347V version use extension dimensions