

Decaux Series

New Construction Downlight

The **Decaux Series** leverages an advanced LED optical system and superior color rendering to achieve premium performance and aesthetics. Available in a variety of mechanical, performance and aesthetic configurations to meet any spec.



CONSTRUCTION

Housing:	Galvanized steel
Lens:	Non-conductive Polycarbonate (standard); Glass (wet rated)
Paint:	Powder coat painted reflector options
Weight:	4.5–8.0lbs (2.0–3.6kg), 7.0lb (3.18kg) Standard Option
Optical Assembly:	High efficiency reflector and optical diffuser

OPTICAL SYSTEM

Lumens:	1000–6000lm
Distribution:	Round Reflector: Narrow (42°), Wide (59°), Very Wide (70°), Wall Wash Square Reflector: Medium (47.5°), Wide (59°), Wall Wash
Efficacy:	Up to 118 LPW
CCT:	3000K, 3500K, 4000K
CRI (Min):	TriGain® 90 CRI: 1000–4000lm 90 CRI: 5000–6000lm

ELECTRICAL

Input Voltage:	120–277V, 347V
Input Frequency:	50/60Hz
Standard Dimming Control:	0–10V 1%, Daintree Wireless compatible, Lutron EcoSystem 0.1%
Power Factor (PF)*:	>90%
Total Harmonic Distortion (THD)*:	<20%

* System PF and THD specified at rated watts

CONTROLS

Dimming:	Standard 0–10V, 1%
Sensors:	Daintree® Compatible w/ Controls Kit (see Ordering for additional info) Lutron LDE1 Hi-lume 0.1% Ecosystem w/Soft-on, Fade-to-Black

OPERATING AMBIENT TEMPERATURE

Product ID	Operating Temperature
LDXB	-20° to +35° C

NOTE: EL version is 0° to 30° C

OPERATING AMBIENT TEMPERATURE

Projected Lxx per IES TM-21 at max 25°C	
LXX(10K) @ Hours	50,000 HR
L85	

MOUNTING

- New Construction, interior applications—Drywall or T-Grid

DESIGN LIFE & WARRANTY

- Damp Location rated, Wet rated lens option (round only)
- Current's Limited 5-year Warranty: Please see website.



Catalog Logic

NOTE: A complete fixture consists of a **Configured Housing + Reflector**

Configured Housing:

LDXB

FAMILY	FIXTURE TYPE	VOLTAGE	NOMINAL LUMEN	CRI	CCT	CONTROLS	OPTIONS
LDXB = Luxscena® LDX Series Architectural Downlight, 2 nd Generation	4R = 4" Round	0 = Universal 120V-277V D = 347V	10 ¹² = 1000lm	T = TriGain® 90 CRI 9 ¹⁰ = 90 CRI	30 = 3000K 35 = 3500K 40 = 4000K	V1 ⁵ = 0-10V, 1% dimming TQ ⁹ = Daintree® Enterprise Wireless Enabled (Up to 4000lm) TS ⁹ = Daintree® Enterprise Wireless Enabled with Daintree WFA100 (Up to 4000lm) LE = Lutron Hi-lume, Premier 0.1% EcoSystem with Soft-on, Fade-to-Black dimming (Up to 2000lm)	(BLANK) = None EL ^{5,9} = EMBB (Up to 4000lm) WW = Wall Wash Requires wall wash reflector
	4S = 4" Square		15 ¹² = 1500lm				
	6R = 6" Round		20 ¹² = 2000lm				
	6S = 6" Square		30 ¹² = 3000lm 40 ¹² = 4000lm 50 ^{10,11} = 5000lm 60 ^{10,11} = 6000lm <small>*See Performance Section for delivered lumens</small>				

Round Reflector:

R DI R

REFLECTOR	HOUSING TYPE	BEAM SPREAD	REFLECTOR FINISH	REFLECTOR COLOR	FLANGE COLOR	OPTIONS
R = Reflector	DI4R ¹ = 4" Round	N = Narrow 42°	SD ⁴ = Semi-Diffuse	(BLANK) = None WT ^{2,4} = White Paint <small>Custom colors available. See Ordering Note 6</small>	MR ⁴ = Match Reflector WT ² = White Paint XT ³ = Trimless	(BLANK) = None WR ⁴ = Wet Rated
	DI6R ¹ = 6" Round	W ^{1,4} = Wide 59°	DF = Diffuse			
		V ⁸ = Very Wide 70° WW ^{1,7} = Wall Wash	SP = Specular PT ^{2,4} = Painted (white reflector color only)			

Additional Ordering Notes:

1. RDI4R and RDI4S reflectors only available in **W** and **WW** beam spread.
2. White painted (**WT**) reflectors only available in **PT** reflector finish and **WT** or **XT** flange finish
3. Trimless (**XT**) only available in selected combinations. Please refer to page 3 for more information.
4. Wet rated (**WR**) only available in 4in and 6in Wide (**W**) round reflectors and semi-diffuse (**SD**) or painted (**PT**) reflector finishes.
5. Emergency battery (**EL**) compatible only with 0-10V (**V1**) and not available for 347V (**D**).
6. Custom Colors available. Contact factory representative for quote.
7. Wall Wash (**WW**) reflectors are not Energy Star rated.
8. Very Wide (**V**) available in 6" reflector only
9. Requires extended frame configuration
10. 5000 & 6000lm packages are 90 CRI only
11. 5000 & 6000lm packages only available in 6R and 6S
12. Up to 4000lm, only 4S or 4R available (if 4S or 4R selected, 1000, 1500, 2000, 3000, 4000 lumens are available)

Square Reflector:

R DI S

REFLECTOR	HOUSING TYPE	BEAM SPREAD	REFLECTOR FINISH	REFLECTOR COLOR	FLANGE COLOR	OPTIONS
R = Reflector	DI4S ¹ = 4" Square	M = Narrow 42°	SD = Semi-Diffuse	(BLANK) = None WT ² = White Paint <small>Custom colors available. See Ordering Note 6</small>	MR = Match Reflector WT ² = White Paint XT ³ = Trimless	(BLANK) = None
	DI6S ¹ = 6" Square	W ¹ = Wide 59° WW ^{1,9} = Wall Wash	DF = Diffuse SP = Specular PT ² = Painted (white reflector color only)			

*Refer to next page for additional reflector information

TRIGAIN® SCALING TABLE

CCT	SCALING FACTOR
3000K	0.97
3500K	1.00
4000K	1.02

PERFORMANCE TABLE

NOMINAL LUMENS	1000	1500	2000	3000	4000	5000	6000	
Fixture Delivered Lumens	1100	1650	2150	3100	4000	4970	5905	
System Input Power (W)	9.4	14.0	18.5	27.5	37.5	60.4	73.4	
System Efficacy (LPW)	117	118	116	113	107	92	80	
CRI	90						92	
R9	>50						>60	

Configuration Notes:

1. Table based on 3500K/4000K CCT using semi-diffused finish with 120V Input
2. White painted reflectors are ~30% reduction in performance

CUSTOMER NAME

Project Name _____

Date _____ Type _____

Catalog Number _____

Accessories

HANGER BARS (ACCESSORY - ORDERED SEPARATELY)

MATERIAL	MATERIAL DESCRIPTION	PRODUCT DESCRIPTION
93110306	BH3 - 2 bars required per fixture	HANGER BARS, C-CHANNEL - 25 1/4" (BOXED PAIR)

STOCKED REFLECTORS

MATERIAL	MATERIAL DESCRIPTION	PRODUCT DESCRIPTION
93984	RD14RWSDMR	4" ROUND REFLECTOR, WIDE, SEMI-DIFFUSED, CLEAR REFLECTOR AND TRIM
93985	RD14RWSDWT	4" ROUND REFLECTOR, WIDE, SEMI-DIFFUSED, CLEAR REFLECTOR, WHITE TRIM
93986	RD14RWSDMR	4" SQUARE REFLECTOR, WIDE, SEMI-DIFFUSED, CLEAR REFLECTOR, TRIM
93987	RD14SWSDWT	4" SQUARE REFLECTOR, WIDE, SEMI-DIFFUSED, CLEAR REFLECTOR, AND TRIM
93988	RD16RNSDMR	6" ROUND REFLECTOR, NARROW, SEMI-DIFFUSED, CLEAR REFLECTOR AND TRIM
93989	RD16RNSDWT	6" ROUND REFLECTOR, NARROW, SEMI-DIFFUSED, CLEAR REFLECTOR, WHITE TRIM
93990	RD16RWSDMR	6" ROUND REFLECTOR, WIDE, SEMI-DIFFUSED, CLEAR REFLECTOR AND TRIM
93991	RD16RWSDWT	6" ROUND REFLECTOR, WIDE, SEMI-DIFFUSED, CLEAR REFLECTOR, WHITE TRIM
93992	RD16SMSDMR	6" SQUARE REFLECTOR, MEDIUM, SEMI DIFFUSED, POLISHED FLANGE
93993	RD16SMSDWT	6" SQUARE REFLECTOR, MEDIUM, SEMI-DIFFUSED, AND TRIM
93994	RD16SWSDMR	6" SQUARE REFLECTOR, WIDE, SEMI-DIFFUSED, AND FLANGE
93995	RD16SWSDWT	6" SQUARE REFLECTOR, WIDE, SEMI-DIFFUSED, AND FLANGE

TRIMLESS REFLECTOR OPTIONS

MATERIAL	MATERIAL DESCRIPTION	PRODUCT DESCRIPTION
93055787	RD14RWSDXT	4" ROUND REFLECTOR, WIDE, SEMI-DIFFUSED, CLEAR REFLECTOR, FLANGELESS
93068237	RD14RWPTWXT	4" ROUND REFLECTOR, WIDE, PAINTED, WHITE REFLECTOR, FLANGELESS
93068243	RD14RWDFBLXT	4" ROUND REFLECTOR, WIDE, DIFFUSED, BLACK REFLECTOR, FLANGELESS
93067885	RD16RWSDXT	6" ROUND REFLECTOR, WIDE, SEMI-DIFFUSED, CLEAR REFLECTOR, FLANGELESS
93068239	RD16RWPTWXT	6" ROUND REFLECTOR, WIDE, PAINTED, WHITE REFLECTOR, FLANGELESS
93068241	RD16RWDFBLXT	6" ROUND REFLECTOR, WIDE, DIFFUSED, BLACK REFLECTOR, FLANGELESS

REPLACEMENT LIGHT ENGINE KIT

SKU	CATALOG NUMBER	DESCRIPTION	FIXTURE CATALOG NUMBER
93136732	RK-LDX-B-LE-PFS-30	Light Engine 3000K CCT	LDXB*****30**
93136733	RK-LDX-B-LE-PFS-35	Light Engine 3500K CCT	LDXB*****35**
93136734	RK-LDX-B-LE-PFS-40	Light Engine 4000K CCT	LDXB*****40**
93146693	RK-LDX-B-LE-90-30	Light Engine, High Lumen (5000/6000lm) 3000K CCT	LDXB**50/60**T30
93146694	RK-LDX-B-LE-90-35	Light Engine, High Lumen (5000/6000lm) 3500K CCT	LDXB**50/60**T35
93146695	RK-LDX-B-LE-90-40	Light Engine, High Lumen (5000/6000lm) 4000K CCT	LDXB**50/60**T40

CUSTOMER NAME

Project Name _____

Date _____ Type _____

Catalog Number _____

Accessories
REPLACEMENT POWER SUPPLIES

SKU	CATALOG NUMBER	DESCRIPTION	FIXTURE CATALOG NUMBER
93136735	RK-LDX-B-PS-25-280-0-V1	Power Supply Unit - 1000lm, 0-10V, 120-277V	LDXB**010***V1
93136746	RK-LDX-B-PS-25-420-0-V1	Power Supply Unit - 1500lm, 0-10V, 120-277V	LDXB**015***V1
93136747	RK-LDX-B-PS-25-560-0-V1	Power Supply Unit - 2000lm, 0-10V, 120-277V	LDXB**020***V1
93136748	RK-LDX-B-PS-55-840-0-V1	Power Supply Unit - 3000lm, 0-10V, 120-277V	LDXB**030***V1
93136749	RK-LDX-B-PS-55-1120-0-V1	Power Supply Unit - 4000lm, 0-10V, 120-277V	LDXB**040***V1
93136750	RK-LDX-B-PS-25-280-D-V1	Power Supply Unit - 1000lm, 0-10V, 347V	LDXB**D10***V1
93136751	RK-LDX-B-PS-25-420-D-V1	Power Supply Unit - 1500lm, 0-10V, 347V	LDXB**D15***V1
93136752	RK-LDX-B-PS-25-560-D-V1	Power Supply Unit - 2000lm, 0-10V, 347V	LDXB**D20***V1
93136753	RK-LDX-B-PS-40-840-D-V1	Power Supply Unit - 3000lm, 0-10V, 347V	LDXB**D30***V1
93136754	RK-LDX-B-PS-40-1120-D-V1	Power Supply Unit - 4000lm, 0-10V, 347V	LDXB**D40***V1
93136755	RK-LDX-B-PS-25-280-0-TQ	Power Supply Unit - 1000lm, TQ option	DXB**010***TQ
93136756	RK-LDX-B-PS-25-420-0-TQ	Power Supply Unit - 1500lm, TQ option	DXB**015***TQ
93136757	RK-LDX-B-PS-25-560-0-TQ	Power Supply Unit - 2000lm, TQ option	DXB**020***TQ
93136758	RK-LDX-B-PS-55-840-0-TQ	Power Supply Unit - 3000lm, TQ option	DXB**030***TQ
93136759	RK-LDX-B-PS-55-1120-0-TQ	Power Supply Unit - 4000lm, TQ option	DXB**040***TQ
93136760	RK-LDX-B-PS-25-280-0-TS	Power Supply Unit - 1000lm, TS option	LDXB**010***TS
93136761	RK-LDX-B-PS-25-420-0-TS	Power Supply Unit - 1500lm, TS option	LDXB**015***TS
93136762	RK-LDX-B-PS-25-560-0-TS	Power Supply Unit - 2000lm, TS option	LDXB**020***TS
93136763	RK-LDX-B-PS-55-840-0-TS	Power Supply Unit - 3000lm, TS option	LDXB**030***TS
93136764	RK-LDX-B-PS-55-1120-0-TS	Power Supply Unit - 4000lm, TS option	LDXB**040***TS
93136765	RK-LDX-B-EMBB-25-280-0-V1	Power Supply Unit - 1000lm, 0-10V, 120-277V, EL	LDXB**010***V1EL
93136766	RK-LDX-B-EMBB-25-420-0-V1	Power Supply Unit - 1500lm, 0-10V, 120-277V, EL	LDXB**015***V1EL
93136767	RK-LDX-B-EMBB-25-560-0-V1	Power Supply Unit - 2000lm, 0-10V, 120-277V, EL	LDXB**020***V1EL
93136768	RK-LDX-B-EMBB-55-840-0-V1	Power Supply Unit - 3000lm, 0-10V, 120-277V, EL	LDXB**030***V1EL
93136769	RK-LDX-B-EMBB-55-1120-0-V1	Power Supply Unit - 4000lm, 0-10V, 120-277V, EL	LDXB**040***V1EL
93146568	RK-LDX-B-PS-95-1750-V1	Power Supply Unit - 5000lm, 0-10V, 120-277V	LDXB**050***V1
93146569	RK-LDX-B-PS-95-2100-V1	Power Supply Unit - 6000lm, 0-10V, 120-277V	LDXB**060***V1

CUSTOMER NAME _____

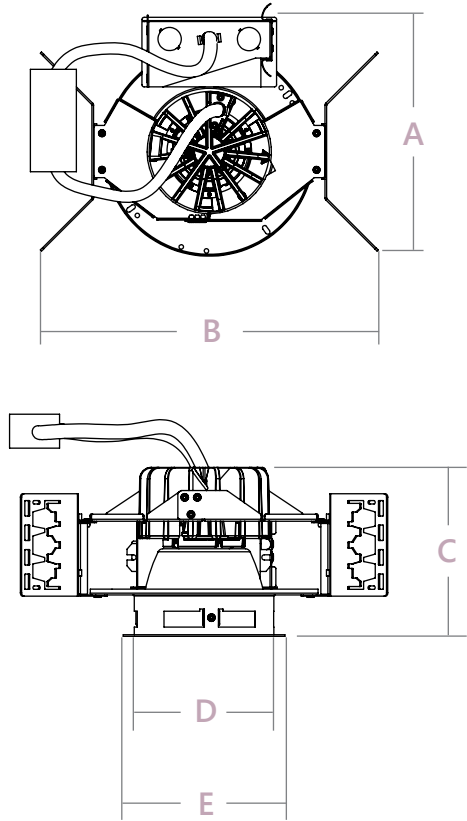
Project Name _____

Date _____ Type _____

Catalog Number _____

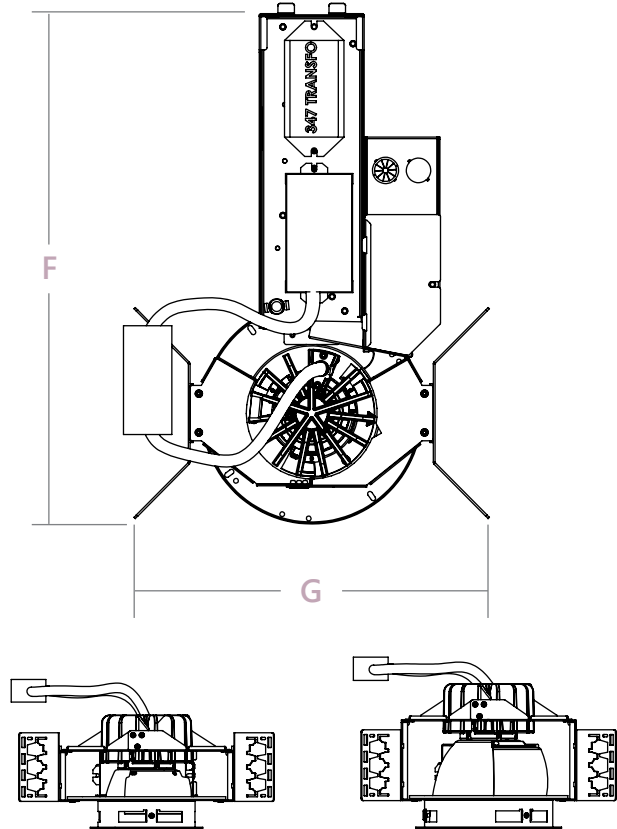
Dimensions

Standard Round (1000–4000lm)



Round (Frame Extension)

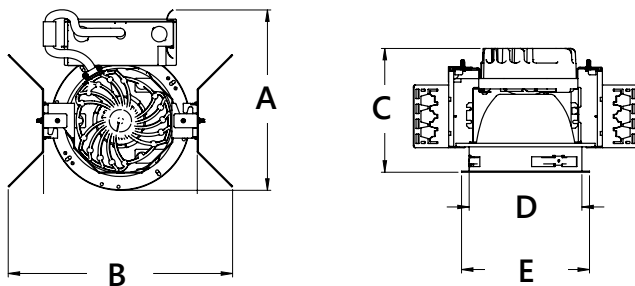
NOTE: Up to 4000lm for TQ, TS, LE and EL options



4" ROUND	4" ROUND EXTENSIONS	6" ROUND	6" ROUND EXTENSIONS
A = 9" (223mm)	F = 19" (473mm)	A = 9" (241mm)	A = 9" (241mm)
B = 13" (323mm)	G = 13" (323mm)	B = 13" (323mm)	B = 13" (323mm)
C = 6" (148mm)		C = 6" (184mm)	C = 6" (184mm)
D = 5" (123mm)		D = 5" (162mm)	D = 5" (162mm)
E = 6" (142mm)		E = 6" (184mm)	E = 6" (184mm)

NOTE: Wall wash and non-wall wash have the same dimensions

High Lumen (HL) Round Dimensions (5000lm & 6000lm)

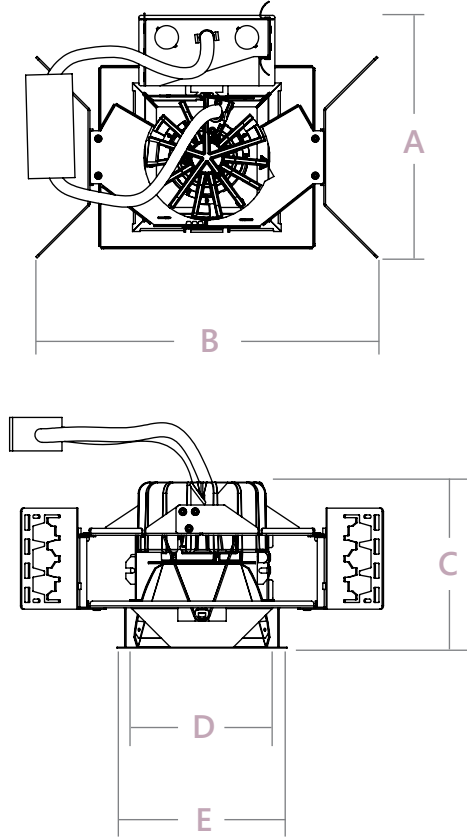


HL 6" ROUND	HL 6" ROUND EXTENSIONS
A = 10" (259mm)	A = 11" (275mm)
B = 13" (323mm)	B = 13" (323mm)
C = 7" (178mm)	C = 7" (178mm)
D = 6" (162mm)	D = 6" (162mm)
E = 7" (184mm)	E = 7" (184mm)

NOTE: For 347V version use extension dimensions

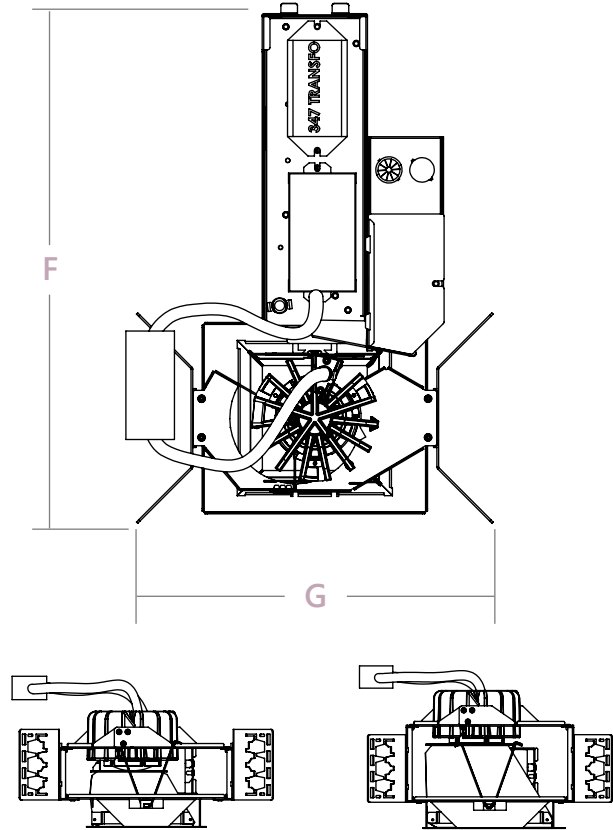
Dimensions

Standard Square (1000–4000lm)



Square (Frame Extension)

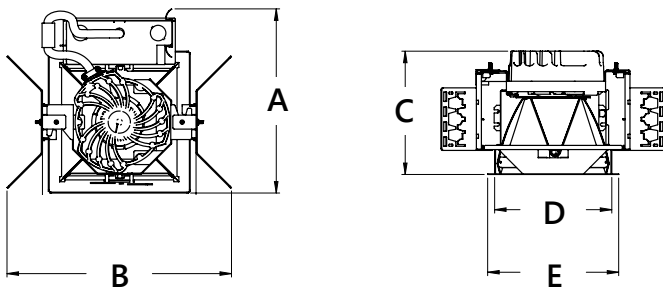
NOTE: Up to 4000lm for TQ, TS, LE and EL options



4" SQUARE	4" SQUARE EXTENSIONS	6" SQUARE	6" SQUARE EXTENSIONS
A = 9" (229mm)	F = 19" (473mm)	A = 10" (245mm)	F = 19" (473mm)
B = 13" (323mm)	G = 13" (323mm)	B = 13" (323mm)	G = 13" (323mm)
C = 6" (148mm)		C = 7" (183mm)	
D = 5" (137mm)		D = 7" (168mm)	
E = 6" (154mm)		E = 7" (188mm)	

NOTE: Wall wash and non-wall wash have the same dimensions

High Lumen (HL) Square Dimensions (5000lm & 6000lm)



HL 6" SQUARE	HL 6" SQUARE EXTENSIONS
A = 10" (265mm)	A = 11" (280mm)
B = 13" (323mm)	B = 13" (323mm)
C = 7" (177mm)	C = 7" (177mm)
D = 7" (168mm)	D = 7" (168mm)
E = 7" (188mm)	E = 7" (188mm)

NOTE: For 347V version use extension dimensions

CUSTOMER NAME

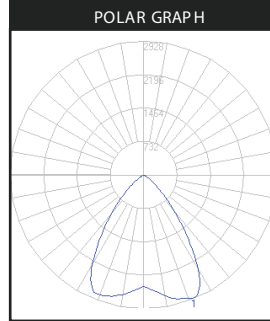
Project Name _____

Date _____ Type _____

Catalog Number _____

Photometrics

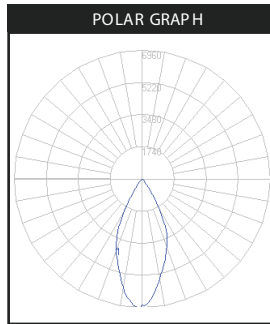
6" Round
VERY WIDE DISTRIBUTION
 3990 Lumens
 LDXB6RX40T35XX_RDI6RVSDXX



ZONAL LUMEN SUMMARY	
Zone	Lumens
0-10	247.01
10-20	786.71
20-30	1243.73
30-40	1037.59
40-50	499.93
50-60	136.37
60-70	29.21
70-80	8.05
80-90	1.83

ZONAL LUMEN SUMMARY		
Zone	Lumens	% of Fixture
0-20	1033.72	25.80
0-30	2277.45	56.90
0-40	3315.04	82.90
0-60	3951.34	98.80
0-80	3988.59	99.70
0-90	3990.42	99.80
10-90	3743.41	93.60
20-40	2281.32	57.00
20-50	2781.25	69.50
40-70	665.5	16.60
60-80	37.25	0.90
70-80	8.05	0.20
80-90	1.83	0.00

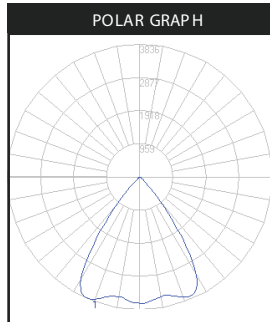
6" Square
NARROW DISTRIBUTION
 3991 Lumens
 LDXB6SX40T35XX_RDI6SNSDXX



ZONAL LUMEN SUMMARY	
Zone	Lumens
0-10	595.23
10-20	1306.33
20-30	1330.17
30-40	634.80
40-50	100.82
50-60	13.84
60-70	6.63
70-80	2.66
80-90	0.67

ZONAL LUMEN SUMMARY		
Zone	Lumens	% of Fixture
0-20	1901.56	47.50
0-30	3231.73	80.80
0-40	3866.53	96.70
0-60	3981.19	99.50
0-80	3990.48	99.80
0-90	3991.15	99.80
10-90	3395.93	84.90
20-40	1964.97	49.10
20-50	2065.79	51.60
40-70	121.30	3.00
60-80	9.29	0.20
70-80	2.66	0.10
80-90	0.67	0.00

6" Square
WIDE DISTRIBUTION
 3991 Lumens
 LDXB6SX40T35XX_RDI6SWSDXX

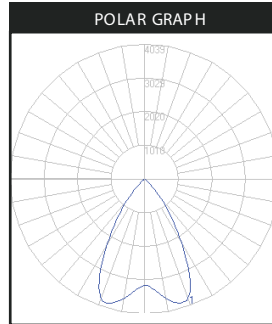


ZONAL LUMEN SUMMARY	
Zone	Lumens
0-10	342.41
10-20	1026.9
20-30	1515.85
30-40	912.44
40-50	160.61
50-60	21.44
60-70	7.85
70-80	3.14
80-90	0.74

ZONAL LUMEN SUMMARY		
Zone	Lumens	% of Fixture
0-20	1369.31	34.20
0-30	2885.16	72.10
0-40	3797.60	94.90
0-60	3979.65	99.50
0-80	3990.63	99.80
0-90	3991.38	99.80
10-90	3648.97	91.20
20-40	2428.29	60.70
20-50	2588.9	64.70
40-70	189.90	4.70
60-80	10.99	0.30
70-80	3.14	0.10
80-90	0.74	0.00

Photometrics

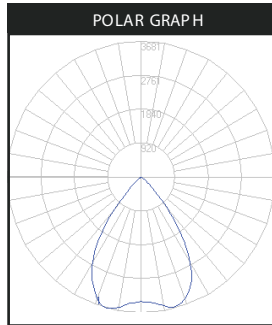
4" Round
WIDE DISTRIBUTION
 4000 Lumens
 LDXB4RX40T35XX_RDI4RWSDXX



ZONAL LUMEN SUMMARY	
Zone	Lumens
0-10	329.89
10-20	1089.32
20-30	1430.65
30-40	889.38
40-50	236.87
50-60	16.44
60-70	5.76
70-80	1.99
80-90	0.12
90-100	0.00

ZONAL LUMEN SUMMARY		
Zone	Lumens	% of Fixture
0-20	1419.21	35.50
0-30	2849.86	71.20
0-40	3739.24	93.50
0-60	3992.55	99.80
0-80	4000.31	100.00
0-90	4000.42	100.00

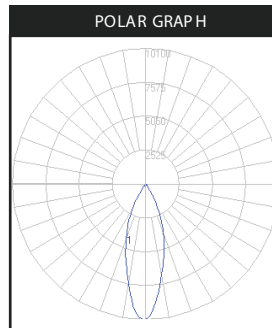
4" Square
WIDE DISTRIBUTION
 3991 Lumens
 LDXB4SX40T35XX_RDI4SWSDXX



ZONAL LUMEN SUMMARY	
Zone	Lumens
0-10	332.21
10-20	997.12
20-30	1349.52
30-40	953.20
40-50	297.83
50-60	47.62
60-70	10.19
70-80	2.91
80-90	0.68
90-100	0.25

ZONAL LUMEN SUMMARY		
Zone	Lumens	% of Fixture
0-20	1329.33	33.20
0-30	2678.85	67.00
0-40	3632.04	90.80
0-60	3977.49	99.40
0-80	3990.58	99.80
0-90	3991.27	99.80

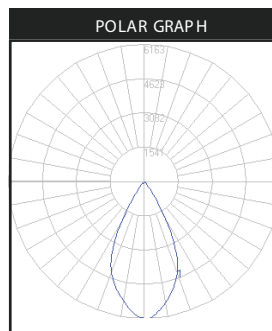
6" Round
NARROW DISTRIBUTION
 4000 Lumens
 LDXB6RX40T35XX_RDI6RNSDXX



ZONAL LUMEN SUMMARY	
Zone	Lumens
0-10	806.99
10-20	1537.38
20-30	1239.05
30-40	371.00
40-50	31.54
50-60	7.00
60-70	3.97
70-80	2.13
80-90	0.89

ZONAL LUMEN SUMMARY		
Zone	Lumens	% of Fixture
0-20	2344.38	58.60
0-30	3583.42	89.60
0-40	3594.42	98.90
0-60	3992.95	99.80
0-80	3999.06	100.00
0-90	3999.95	100.00
10-90	3192.96	79.80
20-40	1610.04	40.30
20-50	1641.58	41.00
40-70	42.51	1.10
60-80	6.11	0.20
70-80	2.13	0.10
80-90	0.89	0.00

6" Round
WIDE DISTRIBUTION
 4000 Lumens
 LDXB6RX40T35XX_RDI6RWSDXX



ZONAL LUMEN SUMMARY	
Zone	Lumens
0-10	552.76
10-20	1390.28
20-30	1485.38
30-40	515.31
40-50	41.68
50-60	9.13
60-70	4.30
70-80	1.34
80-90	0.00

ZONAL LUMEN SUMMARY		
Zone	Lumens	% of Fixture
0-20	1943.03	48.60
0-30	3428.41	85.70
0-40	3943.72	98.60
0-60	3994.53	99.90
0-80	4000.18	100.00
0-90	4000.18	100.00
10-90	3447.42	86.20
20-40	2000.69	50.00
20-50	2042.37	51.10
40-70	55.11	1.40
60-80	5.64	0.10
70-80	1.34	0.00
80-90	0.00	0.00

CUSTOMER NAME

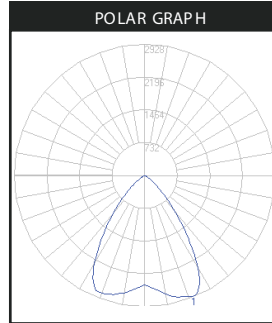
Project Name _____

Date _____ Type _____

Catalog Number _____

Photometrics

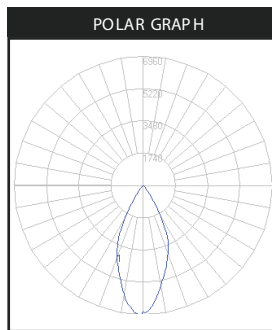
6" Round
VERY WIDE DISTRIBUTION
 3990 Lumens
 LDXB6RX40T35XX_RDI6RVSDXX



ZONAL LUMEN SUMMARY	
Zone	Lumens
0-10	247.01
10-20	786.71
20-30	1243.73
30-40	1037.59
40-50	499.93
50-60	136.37
60-70	29.21
70-80	8.05
80-90	1.83

ZONAL LUMEN SUMMARY		
Zone	Lumens	% of Fixture
0-20	1033.72	25.80
0-30	2277.45	56.90
0-40	3315.04	82.90
0-60	3951.34	98.80
0-80	3988.59	99.70
0-90	3990.42	99.80
10-90	3743.41	93.60
20-40	2281.32	57.00
20-50	2781.25	69.50
40-70	665.50	16.60
60-80	37.25	0.90
70-80	8.05	0.20
80-90	1.83	0.00

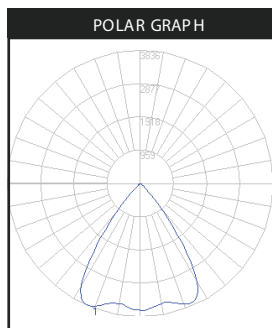
6" Square
NARROW DISTRIBUTION
 3991 Lumens
 LDXB6SX40T35XX_RDI6SNSDXX



ZONAL LUMEN SUMMARY	
Zone	Lumens
0-10	595.23
10-20	1306.33
20-30	1330.17
30-40	634.80
40-50	100.82
50-60	13.84
60-70	6.63
70-80	2.66
80-90	0.67

ZONAL LUMEN SUMMARY		
Zone	Lumens	% of Fixture
0-20	1901.56	47.50
0-30	3231.73	80.80
0-40	3866.53	96.70
0-60	3981.19	99.50
0-80	3990.48	99.80
0-90	3991.15	99.80
10-90	3395.93	84.90
20-40	1964.97	49.10
20-50	2065.79	51.60
40-70	121.30	3.00
60-80	9.29	0.20
70-80	2.66	0.10
80-90	0.67	0.00

6" Square
WIDE DISTRIBUTION
 3991 Lumens
 LDXB6SX40T35XX_RDI6SWSDDXX

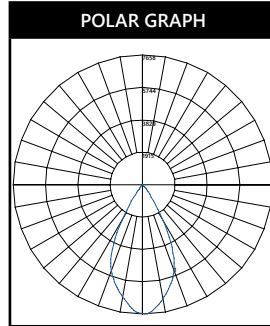


ZONAL LUMEN SUMMARY	
Zone	Lumens
0-10	342.41
10-20	1026.9
20-30	1515.85
30-40	912.44
40-50	160.61
50-60	21.44
60-70	7.85
70-80	3.14
80-90	0.74

ZONAL LUMEN SUMMARY		
Zone	Lumens	% of Fixture
0-20	1369.31	34.20
0-30	2885.16	72.10
0-40	3797.60	94.90
0-60	3979.65	99.50
0-80	3990.63	99.80
0-90	3991.38	99.80
10-90	3648.97	91.20
20-40	2428.29	60.70
20-50	2588.90	64.70
40-70	189.90	4.70
60-80	10.99	0.30
70-80	3.14	0.10
80-90	0.74	0.00

Photometrics

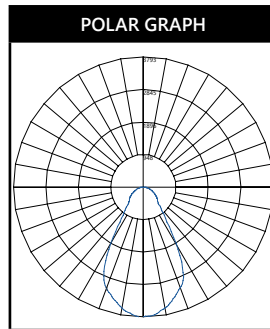
6" Round
HIGH LUMEN WIDE DISTRIBUTION
 4970 Lumens
 LDXB6RX50T35XX_RDI6RNSDX



ZONAL LUMEN SUMMARY	
Zone	Lumens
0-10	686.80
10-20	1727.42
20-30	1845.58
30-40	640.28
40-50	51.79
50-60	11.35
60-70	5.35
70-80	1.66
80-90	0.00
90-100	0.00

ZONAL LUMEN SUMMARY		
Zone	Lumens	% of Fixture
0-20	2414.22	48.60
0-30	4259.80	85.70
0-40	4900.08	98.60
0-60	4963.21	99.90
0-80	4970.23	100.00
0-90	4970.23	100.00
10-90	4283.42	86.20
20-40	2485.86	50.00
20-50	2537.64	51.10
40-70	68.49	1.40
60-80	7.01	0.10
70-80	1.66	0.00
80-90	0.00	0.00

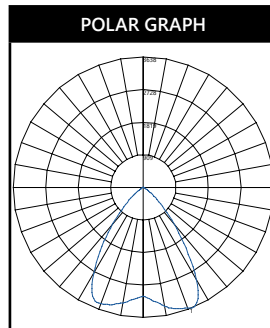
6" Round
HIGH LUMEN WIDE DISTRIBUTION
(WHITE PAINT)
 4622 Lumens
 LDXB6RX50T35XX_RDI6RWSWDTXX



ZONAL LUMEN SUMMARY	
Zone	Lumens
0-10	352.25
10-20	950.22
20-30	1218.32
30-40	743.93
40-50	470.54
50-60	396.16
60-70	285.91
70-80	160.51
80-90	44.73
90-100	0.00

ZONAL LUMEN SUMMARY		
Zone	Lumens	% of Fixture
0-20	1302.47	28.20
0-30	2520.79	54.50
0-40	3264.72	70.60
0-60	4131.42	89.40
0-80	4577.84	99.00
0-90	4622.57	100.00
10-90	4270.31	92.40
20-40	1962.25	42.40
20-50	2432.78	52.60
40-70	1152.61	24.90
60-80	446.42	9.70
70-80	160.51	3.50
80-90	44.73	1.00

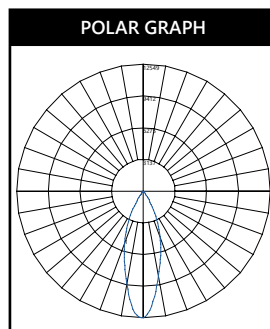
6" Round
HIGH LUMEN VERY WIDE
DISTRIBUTION
 4958 Lumens
 LDXB6RX50T35XX_RDI6RVSDXX



ZONAL LUMEN SUMMARY	
Zone	Lumens
0-10	306.91
10-20	977.49
20-30	1545.33
30-40	1289.21
40-50	621.16
50-60	169.44
60-70	36.29
70-80	10.00
80-90	2.27
90-100	1.22

ZONAL LUMEN SUMMARY		
Zone	Lumens	% of Fixture
0-20	1284.4	25.80
0-30	2829.73	56.90
0-40	4118.94	82.90
0-60	4909.54	98.80
0-80	4955.83	99.70
0-90	4958.1	99.80
10-90	4651.19	93.60
20-40	2834.54	57.00
20-50	3455.7	69.50
40-70	826.89	16.60
60-80	46.29	0.90
70-80	10.00	0.20
80-90	2.27	0.00

6" Round
HIGH LUMEN NARROW
DISTRIBUTION
 4969 Lumens
 LDXB6RX50T35XX_RDI6RNSDX



ZONAL LUMEN SUMMARY	
Zone	Lumens
0-10	1002.69
10-20	1910.2
20-30	1539.52
30-40	460.96
40-50	39.19
50-60	8.69
60-70	4.94
70-80	2.65
80-90	1.11
90-100	0.00

ZONAL LUMEN SUMMARY		
Zone	Lumens	% of Fixture
0-20	2912.89	58.60
0-30	4452.40	89.60
0-40	4913.37	98.90
0-60	4961.25	99.80
0-80	4968.84	100.00
0-90	4969.95	100.00
10-90	3967.27	79.80
20-40	2000.48	40.30
20-50	2039.67	41.00
40-70	52.82	1.10
60-80	7.59	0.20
70-80	2.65	0.10
80-90	1.11	0.00

CUSTOMER NAME

Project Name _____

Date _____ Type _____

Catalog Number _____

Controls and Sensors

DAINTREE CONTROLS

Daintree® Wireless Controls:

There is no one size fits all for wireless controls. Some networks want simple solutions that reduce energy consumption and meet code compliance while others are more ambitious, looking to capitalize on the LED and controls savings to fund a scalable, enterprise-grade, internet of things solution. The advantage of the Daintree® Wireless platform is its ability to integrate into indoor, outdoor and high bay environments. The Daintree® Wireless Controls provide the infrastructure to future proof your buildings, easily upgrade to Networked solutions and provide the ability to integrate into IoT solutions that are right for your business.

- **Daintree® One:** Standalone Wireless Controls
- **Daintree® EZ Connect:** Room-Based Wireless Lighting Controls
- **Daintree® Networked:** Networked Lighting Controls for Smart Building & IoT Enablement

Daintree® Wireless Controls are already integrated in your favorite Current LED fixtures. Integrating the controls into the fixture cuts labor costs considerably since the sensors are already embedded in the lighting fixtures. There's no need to get above the ceiling plenum and install additional devices. Visit our website <https://products.LED.com> for a complete list of LED Fixtures.

The LDX Series Architectural Luminaire will offer Daintree® Networked integral controls (Controls options TQ & TS). Integral sensors and IOT devices are not offered at this time.