

SCREW-IN
RETROFITS



LOW BAY



- > 60W models replacing up to 175W HID.
- > 120° light distribution with angled LED panels deliver light where it is needed most.
- > Pretested and potted drivers are protected against vibration & moisture.
- > Rated for enclosed fixtures and damp location with an insect & dust resistant housing.
- > USA designed & specified driver.
- > Continuously dimmable down to 20% using a wired 0-10V dimming circuit. Lamps also include 12V auxiliary power for sensors.

								
ALSO WORKS ON 347V		INSTALL METHOD	MEDIUM BASE	ACTIVE COOLING	CRI	OPERATING TEMP	50,000hrs RATED LIFE	SURGE PROTECTION

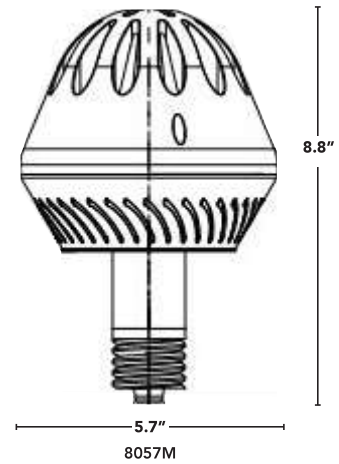
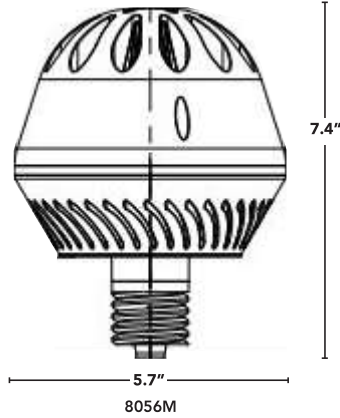
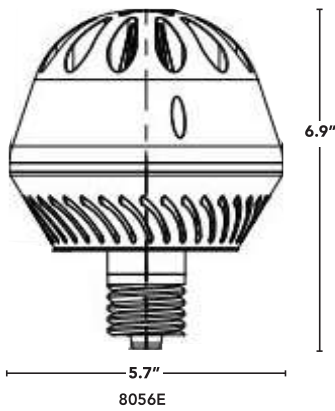
PART #	UPC	REPLACES	WATTAGE	LUMENS	COLOR*	BASE	DLC CODE
LED-8056E50D-A	844006077310	175W	45W	5560	5000K	E26	N/A
LED-8056M50D-A	844006077358	175W	45W	5560	5000K	EX39	S-ZHYQBG
LED-8057M50D-A	844006077396	250W	75W	9236	5000K	EX39	S-J2NZX4

* additional color temperatures shown on page 2





LOW BAY



PART #	UPC	REPLACES	WATTAGE	LUMENS	COLOR	BASE	DLC CODE
LED-8056E40D-A	844006077297	175W HID	45W	5334	4000K	E26	N/A
LED-8056E50D-A	844006077310	175W HID	45W	5560	5000K	E26	N/A
LED-8056M40D-A	844006077334	175W HID	45W	5334	4000K	EX39	S-UOXM21
LED-8056M50D-A	844006077358	175W HID	45W	5560	5000K	EX39	S-ZHYQBG
LED-8057M40D-A	844006077372	250W HID	75W	9607	4000K	EX39	S-E2VZ57
LED-8057M50D-A	844006077396	250W HID	75W	9236	5000K	EX39	S-J2NZX4

🇨🇦 347 VOLT OPTIONS FOR CANADA 🇨🇦

PART #	UPC	REPLACES	WATTAGE	LUMENS	COLOR	BASE	DLC CODE
LED-8056E40CD-A	844006077303	175W HID	45W	5334	4000K	E26	N/A
LED-8056E50CD-A	844006077327	175W HID	45W	5560	5000K	E26	N/A
LED-8056M40CD-A	844006077341	175W HID	45W	5334	4000K	EX39	S-6D0UHW
LED-8056M50CD-A	844006077365	175W HID	45W	5560	5000K	EX39	S-H025ZA
LED-8057M40CD-A	844006077389	250W HID	75W	9607	4000K	EX39	S-R154EB
LED-8057M50CD-A	844006077402	250W HID	75W	9236	5000K	EX39	S-E2VZ57