

SYLVANIA Lamps

ULTRA LED™ High Lumen Lamps

Application

ULTRA LED HID replacement lamps are ideal for indoor high/low bay lighting and outdoor decorative post top fixtures in walkway lighting applications.

Benefits and Features

- Lasts up to 5 times longer than HID lamps
- No warm-up time, instant on with full light output and stable color
- Consumes up to 76% less energy than equivalent HID lamps while delivering same light output
- Rated for open and enclosed fixtures
- Replacement for 70W-400W HID medium/mogul base applications
- Up to 145 LPW
- 3000K, 4000K and 5000K color temperatures
- CRI 80+
- 360° beam angle (or omnidirectional) with Type V distribution

Electrical

- 120-277V_{AC}
- Power Factor 98%

Rated Life

- 50,000 hours (L₇₀)

Warranty

- Standard 5 year lamp warranty

Ambient Operating Range

- -40°F to +122°F (-40°C to +50°C)

Certifications and Listings

- UL Damp Rated

This device complies with part 15 of the FCC Rules. Operation is subject to the following two conditions: (1) This device may not cause harmful interference, and (2) this device must accept any interference received, including interference that may cause undesired operation. For FCC Part 15 user information, please see www.sylvania.com/fcc15b.



Wattage Comparison

Traditional Source	Traditional System Wattage	LED System Wattage	Energy Savings	Energy Savings Over Lamp Life*
HID Metal Halide	70W	18W	74%	\$286
HID Metal Halide	100W	27W	73%	\$402
HID Metal Halide	150W	36W	76%	\$627
HID Metal Halide	175W	54W	69%	\$666
HID Metal Halide	250W	80W	68%	\$935
HID Metal Halide	320W	100W	69%	\$1,210
HID Metal Halide	400W	120W	70%	\$1,540

*Energy savings over life of lamp calculated at \$0.11/kWh

Installation

- Requires easy ballast by-pass.
- Lamp operates directly on line voltage 120-277V_{AC}.

Specifications and Certifications



Specification Data

Catalog #	Type
Project	
Comments	
Prepared by	

Ordering Guide

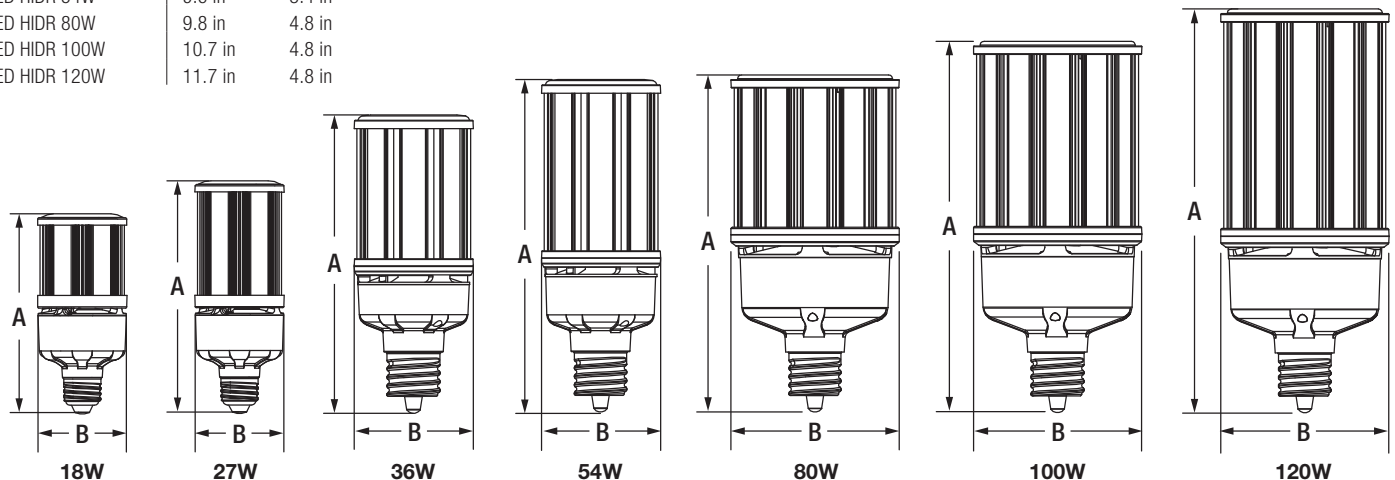
LED	XX	HIDR	8	XX
LED Lamps and Retrofits	Wattage 18, 27, 36, 54, 80, 100, 120	Lamp Type: HID Replacement	CRI 8 = 80+	Color Temperature: 30 = 3000K 40 = 4000K 50 = 5000K

Ordering Information

Item Number	Ordering Abbreviation	Power (W)	Base Type	Replaces (W)	Input Voltage (V)	Average Life (hrs)	CCT	Case Qty	Typical Lumens (lm)	CRI	DLC
40703	LED18HIDR830 4/CS 1/SKU	18	Medium base	70	120-277	50,000	3000K	4	2400	80+	No
40704	LED18HIDR840 4/CS 1/SKU	18	Medium base	70	120-277	50,000	4000K	4	2600	80+	No
40705	LED18HIDR850 4/CS 1/SKU	18	Medium base	70	120-277	50,000	5000K	4	2600	80+	No
40706	LED27HIDR830 4/CS 1/SKU	27	Medium base	100	120-277	50,000	3000K	4	3600	80+	No
40707	LED27HIDR840 4/CS 1/SKU	27	Medium base	100	120-277	50,000	4000K	4	3900	80+	No
40708	LED27HIDR850 4/CS 1/SKU	27	Medium base	100	120-277	50,000	5000K	4	3900	80+	No
40709	LED36HIDR830 4/CS 1/SKU	36	Mogul base	150	120-277	50,000	3000K	4	4800	80+	Yes
40710	LED36HIDR840 4/CS 1/SKU	36	Mogul base	150	120-277	50,000	4000K	4	5200	80+	Yes
40711	LED36HIDR850 4/CS 1/SKU	36	Mogul base	150	120-277	50,000	5000K	4	5200	80+	Yes
40712	LED54HIDR830 4/CS 1/SKU	54	Mogul base	175	120-277	50,000	3000K	4	7200	80+	Yes
40713	LED54HIDR840 4/CS 1/SKU	54	Mogul base	175	120-277	50,000	4000K	4	7800	80+	Yes
40714	LED54HIDR850 4/CS 1/SKU	54	Mogul base	175	120-277	50,000	5000K	4	7800	80+	Yes
40715	LED80HIDR830 4/CS 1/SKU	80	Mogul base	250	120-277	50,000	3000K	4	10,800	80+	Yes
40716	LED80HIDR840 4/CS 1/SKU	80	Mogul base	250	120-277	50,000	4000K	4	11,600	80+	Yes
40717	LED80HIDR850 4/CS 1/SKU	80	Mogul base	250	120-277	50,000	5000K	4	11,600	80+	Yes
40718	LED100HIDR830 4/CS 1/SKU	100	Mogul base	320	120-277	50,000	3000K	4	13,500	80+	Yes
40719	LED100HIDR840 4/CS 1/SKU	100	Mogul base	320	120-277	50,000	4000K	4	14,500	80+	Yes
40720	LED100HIDR850 4/CS 1/SKU	100	Mogul base	320	120-277	50,000	5000K	4	14,500	80+	Yes
40721	LED120HIDR830 4/CS 1/SKU	120	Mogul base	400	120-277	50,000	3000K	4	16,200	80+	Yes
40722	LED120HIDR840 4/CS 1/SKU	120	Mogul base	400	120-277	50,000	4000K	4	17,400	80+	Yes
40723	LED120HIDR850 4/CS 1/SKU	120	Mogul base	400	120-277	50,000	5000K	4	17,400	80+	Yes

Physical Information

Lamp Description	(A) MOL	(B) Diameter
LED HIDR 18W	5.7 in	2.5 in
LED HIDR 27W	6.6 in	2.5 in
LED HIDR 36W	8.5 in	3.4 in
LED HIDR 54W	9.6 in	3.4 in
LED HIDR 80W	9.8 in	4.8 in
LED HIDR 100W	10.7 in	4.8 in
LED HIDR 120W	11.7 in	4.8 in



Additional Specifications

- Not intended for use in dimming applications
- Verify fixture size before installation to ensure fit
- Not suited with outdoor fixtures with air vents
- Should not be directly exposed to water/humidity

LEDVANCE LLC
200 Ballardvale Street
Wilmington, MA 01887 USA
Phone 1-800-LIGHTBULB (1-800-544-4828)
www.sylvania.com

SYLVANIA and LEDVANCE are registered trademarks.
All other trademarks are those of their respective owners.
Licensee of product trademark SYLVANIA in general lighting.
Specifications subject to change without notice.

