

# SYLVANIA SMART<sup>+</sup> Bluetooth<sup>®</sup> BR30

Full Color and Adjustable White Lamp



## Key Features & Benefits

- Smart lighting controlled by smartphone or tablet, as well as through voice integration
- Bluetooth protocol, no hub required, easy setup
- Voice control using Amazon Alexa, the Google Assistant™, or Siri® via Apple® HomeKit™
- Integrated Bluetooth Mesh technology offers improved reliability, scalability, and extended range
- Millions of color options
- LED lamp adjustable between soft white, bright white, and daylight white
- On/Off/Dimming functions
- Color temperature tunable between 2700-6500 Kelvin
- Life: 15,000 hours rated life\*
- CRI 90+
- Suitable for use in damp locations

Experience intelligent, connected lighting solutions in your home with SYLVANIA SMART<sup>+</sup> Bluetooth<sup>®</sup> connected lights and accessories. With the SYLVANIA Smart Home app, easily connect your accessories using your compatible Android™ or Apple® device to begin creating rooms and setting up your smart home. Easily pair your lights and accessories to an Amazon Echo or Google Home™ smart speaker for hands-free lighting control via Amazon Alexa or the Google Assistant™. No additional hub or hardware is required.

## Product Offering

Ordering Description	Wattage	CCT	Contains
SMART <sup>+</sup> Bluetooth <sup>®</sup> BR30 Full Color	10	2700-6500K	1 BR30 LED Lamp

## Application Information

### Applications

- General lighting
- Recessed downlights
- Track lighting
- Wall washers

### Market Segments

- Hospitality
- Residential
- Small business

### Application Notes

1. SMART<sup>+</sup> BR30 requires SYLVANIA Smart Home app and compatible Android or Apple device
2. Product activation requires active network and compatible Android 6.0 device or an iOS 10.3, or later, Apple device
3. Lamp turns on at 2700K, 100% brightness, but can be customized using the SYLVANIA Smart Home app
4. 2-year limited product warranty
5. Operating temperatures -4°F to +104°F (-20°C to +40°C)
6. Suitable for use in damp locations
7. Do not install in totally enclosed fixtures
8. Not intended for use with dimmers, emergency light fixtures or exit lights
9. Lamp dims via wireless control and will not operate with a dimmer switch. Remove all existing dimmers and replace with a regular switch; leave lamp in ON position

This device complies with part 15 of the FCC Rules. Operation is subject to the following two conditions: (1) This device may not cause harmful interference, and (2) this device must accept any interference received, including interference that may cause undesired operation. For FCC Part 15 user information, please see www.sylvania.com/fcc15b.

Amazon, Alexa and all related logos are trademarks of Amazon.com, Inc. or its affiliates.

\*LED Lamp lifetime is defined as the number of hours when 50% of a large group of identical lamps reaches 70% of its initial lumens.

## Specifications and Certifications



Contains:  
FCC: WAP3136  
IC: 7922A-3136



## Specification Data

Catalog #	Type
Project	
Comments	
Prepared by	

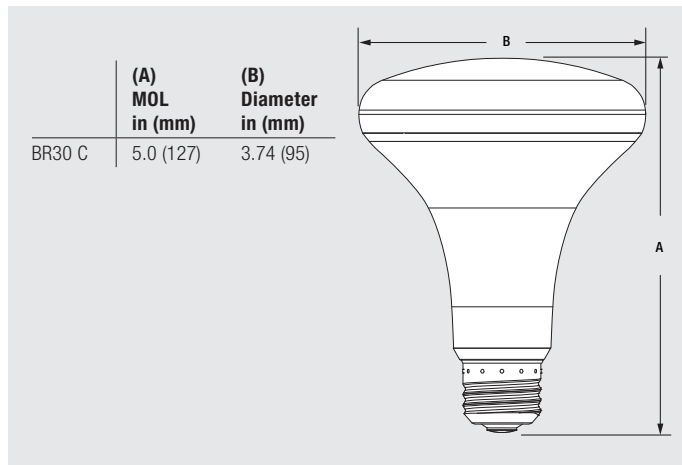
## Ordering Information

Item Number	Ordering Description	Wattage	Voltage	Lumens	CCT	CRI	Life
75577	LED10BR30CBLES+	10	120	800 @2700K	2700-6500K	90+	15,000

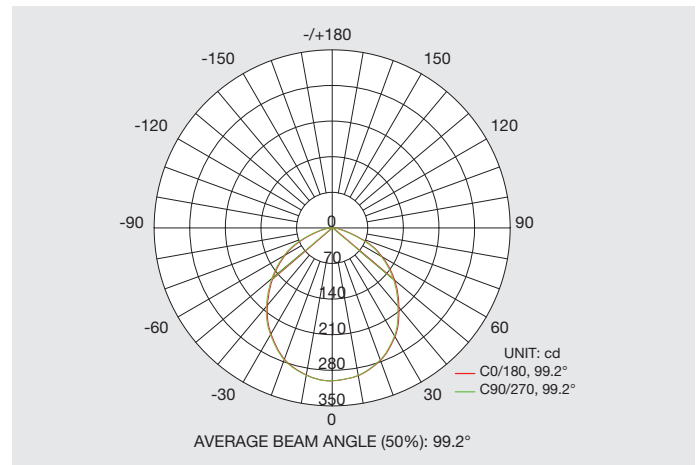
## Ordering Guide

LED	10	BR30	C	BLE	S+
LED	Wattage: 10	Lamp Type: BR30	Color	Bluetooth®	SMART <sup>+</sup>

## Lamp Dimensions



## Photometric Distribution



LEDVANCE LLC  
 200 Ballardvale Street  
 Wilmington, MA 01887 USA  
 Phone 1-800-LIGHTBULB (1-800-544-4828)  
[www.sylvania.com](http://www.sylvania.com)

SYLVANIA and LEDVANCE are registered trademarks.  
 All other trademarks are those of their respective owners.  
 Licensee of product trademark SYLVANIA in general lighting.  
 Specifications subject to change without notice.

[/sylvania](https://twitter.com/sylvania) [/sylvania](https://facebook.com/sylvania)

