

ULTRA LED™ HO PAR Lamps

ULTRA LED HO PAR lamps deliver exceptionally high lumen output along with outstanding color uniformity and beam quality utilizing COB technology. Offered in a smooth heat sink, these lamps are available in a 15° spot, 25° narrow flood and 40° flood with the option of 120 or universal (120-277) voltage. The high CBCP performance makes these lamps a great replacement for high power halogen and HID lamps.

Key Features & Benefits

- Sleek, lightweight design
- Up to 100 LPW
- Long life: up to 25,000 hours (L₇₀)
- 15°, 25° and 40° beam option
- 120 or universal (120-277) voltage options
- Outstanding color uniformity and beam quality utilizing COB technology
- 277V option allows compatible replacement for HID lamps
- UL1993 & UL1598C tested
- PAR20 – UL Damp rated
- PAR30/PAR38 – UL Wet rated
- High CBCP performance
- Great replacement options for high power halogen and HID lamp



Application Information

Market Segments

- Grocery
- Houses of worship
- Manufacturing
- Retail
- Warehouse/storage

Applications

- Downlights
- General lighting
- Spotlights

Application Notes

1. Operating temperature -4°F to 104°F (-20°C to 40°C).
2. Use in fixtures that support a half pound lamp.
3. Not for use with emergency light fixtures or exit lights.
4. Suitable for wet locations (PAR30LN and PAR38).

Product Offering

| Ordering Abbreviation | Wattage | Beam Angle | Color Temperature |
|-----------------------|---------|------------|-------------------|
| LED PAR20 | 11 | 25° | 3000K |
| LED PAR30LN | 18, 19 | 15° | 3000K |
| LED PAR38 | 23, 25 | 15°, 40° | 3000K & 5000K |



| | |
|-------------|------|
| Catalog # | Type |
| Project | |
| Comments | |
| Prepared by | |

Ordering Guide

| LED | XX | PARXXXX | / HO | / DIM | / X | XX | / XXX | XX | / W | / UNV |
|-------------------------|-----------------------------|----------------------------------|-------------|----------|----------------------|--|--|--------------------------|-----------|----------|
| LED Lamps and Retrofits | Wattage: 11, 18, 19, 23, 25 | Lamp Type: PAR20, PAR38, PAR30LN | High Output | Dimmable | CRI 8 = 80+, 9 = 90+ | Color Temperature 30 = 3000K, 50 = 5000K | Beam Angle SP = Spot, NFL = Narrow Flood, FL = Flood | Beam Angle 15°, 25°, 40° | Wet Rated | 120-277V |

Ordering Information

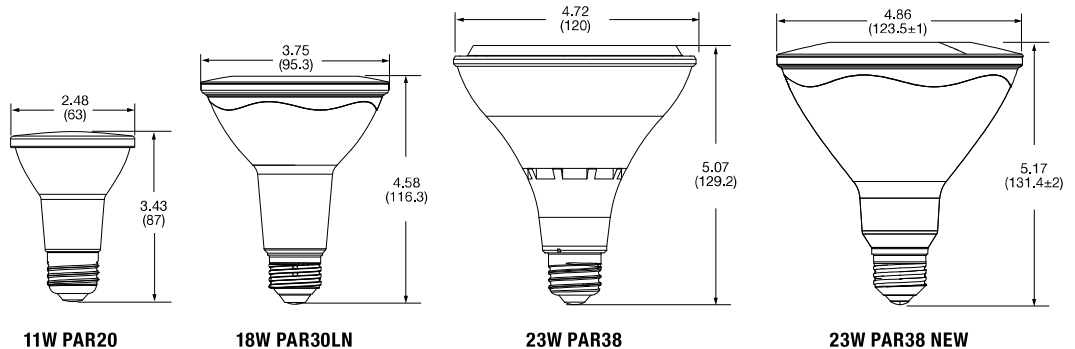
| Item Number | Ordering Abbreviation | Wattage (W) | Base Type | Replaces | Beam Angle | Input Voltage (V) | CBCP | Average Rated Life (L70) | Dimmable | CCT | CRI | Typical Lumens (lm) | Power Factor | ENERGY STAR® | CEC Compliant |
|-------------|---------------------------------|-------------|-----------|--------------|------------|-------------------|--------|--------------------------|----------|-------|-----|---------------------|--------------|--------------|---------------|
| 40414** | LED11PAR20/VHO/830/NFL25/UNV | 11 | Medium | 50W Halogen | 25° | 120-277 | 3300 | 25,000 | No | 3000K | 81 | 1000 | 0.99 | No | No |
| 42349 | LED11PAR20HO930NFL25UNV | 11 | Medium | 50W Halogen | 25° | 120-277 | 3300 | 25,000 | No | 3000K | 90 | 1000 | 0.99 | No | No |
| 42238 | LED18PAR30LNHO930SP15WUNV | 18 | Medium | 75W Halogen | 15° | 120-277 | 17,600 | 25,000 | No | 3000K | 90 | 1800 | 0.99 | No | Yes |
| 41731 | LED18PAR30LNHODIM930SP15W | 18 | Medium | 75W Halogen | 15° | 120 | 17,600 | 25,000 | Yes | 3000K | 90 | 1800 | 0.99 | No | Exempt |
| 79362** | LED19PAR30LN/HO/830/SP15/W/UNV | 19 | Medium | 75W Halogen* | 15° | 120-277 | 17,600 | 25,000 | No | 3000K | 81 | 1800 | 0.99 | No | No |
| 41551 | LED23PAR38HO830SP15WUNV | 23 | Medium | 250 Halogen | 15° | 120-277 | 20,000 | 25,000 | No | 3000K | 80 | 2650 | 0.99 | No | Exempt |
| 42343 | LED23PAR38HODIM830FL40WRP | 23 | Medium | 250 Halogen | 40° | 120 | 4500 | 25,000 | Yes | 3000K | 80 | 2650 | 0.99 | No | Exempt |
| 74796** | LED23PAR38/HO/DIM/830/FL40/W/RP | 23 | Medium | 250W Halogen | 40° | 120 | 4500 | 25,000 | Yes | 3000K | 82 | 2650 | 0.95 | No | Exempt |
| 74793** | LED23PAR38/HO/DIM/830/FL40/W/RP | 23 | Medium | 250W Halogen | 40° | 120 | 4500 | 25,000 | Yes | 3000K | 81 | 2650 | 0.95 | No | Exempt |
| 74794** | LED25PAR38/HO/DIM/850/FL40/W/RP | 25 | Medium | 250W Halogen | 40° | 120 | 4500 | 25,000 | Yes | 5000K | 82 | 2650 | 0.95 | No | Exempt |

*Based on max wattage equivalency allowed by ENERGY STAR. CBCP is similar to 120W halogen lamp.
 **Once inventory is depleted, NAED will become obsolete.
 79362 replaced by 42238

Lamp Dimensions

| | MOL (inches) | Diameter (inches) |
|-------------------|--------------|-------------------|
| 11W LED PAR20 | 3.43 | 2.48 |
| 18W LED PAR30LN | 4.58 | 3.75 |
| 23W LED PAR38 | 5.07 | 4.72 |
| 23W LED PAR38 NEW | 5.17 | 4.86 |

Dimensions in inches (mm)



Energy Savings

| Basic Product Description | LED Life (hrs) | Similar Halogen | Halogen Life (hrs) | Watts Saved | Energy Savings* | LED Life vs Incandescent |
|---------------------------|----------------|-----------------|--------------------|-------------|-----------------|--------------------------|
| LED 23W PAR38 | 25,000 | 250W | 2500 | 224 | \$616.00 | 10X |
| LED 19W PAR30LN | 25,000 | 75W | 2500 | 56 | \$154.00 | 10X |
| LED 18W PAR30LN | 25,000 | 75W | 2500 | 56 | \$156.00 | 10X |

*Energy savings over life of lamp calculated at \$0.11/kWh

LEDVANCE LLC
 181 Ballardvale Street, Suite 203
 Wilmington, MA 01887 USA
 Phone 1-800-LIGHTBULB (1-800-544-4828)
 www.ledvanceUS.com

SYLVANIA and LEDVANCE are registered trademarks.
 All other trademarks are those of their respective owners.
 Licensee of product trademark SYLVANIA in general lighting.
 Specifications subject to change without notice.

