

SYLVANIA Lamps

ULTRA LED™ Selectable HIDr

Application

ULTRA LED HID replacement lamps are ideal for indoor high/low bay lighting and outdoor decorative post top fixtures in walkway lighting applications. The lumen and CCT selectable option allows for customizable light output replacing up to 400W HID applications.

Benefits and Features

- Lasts up to 5 times longer than HID lamps
- No warm-up time, instant on with full light output and stable color
- Consumes up to 76% less energy than equivalent HID lamps while delivering same light output
- Lumen and CCT selectable light enabled through physical controls located on the lamp.
- Continuous and standby dimming can be enabled on lamps 80W and higher, when paired with the optional snap-on motion/daylight sensor and remote control
- Passive cooling design (higher reliability with no internal fan)
- Rated for open and enclosed fixtures
- Up to 155 LPW
- 3000K, 4000K and 5000K selectable color temperatures
- CRI 80+
- 360° beam angle (or omnidirectional) with Type V distribution

Electrical

- 120-277V_{AC}
- Power Factor >90%
- 6kV surge protection

Rated Life

- 50,000 hours (L₇₀)

Warranty

- Standard 5 year lamp warranty

Ambient Operating Range

- -40°F to +122°F (-40°C to +50°C)



Wattage Comparison

Traditional Source	Traditional System Wattage	LED System Wattage	Energy Savings	Energy Savings Over Lamp Life
HID Metal Halide	50W	12W	76%	\$209
HID Metal Halide	70W	18W	74%	\$286
HID Metal Halide	100W	27W	73%	\$401
HID Metal Halide	150W	36W	76%	\$627
HID Metal Halide	150W	45W	70%	\$577
HID Metal Halide	175W	54W	69%	\$665
HID Metal Halide	250W	80W	68%	\$935
HID Metal Halide	320W	100W	69%	\$1210
HID Metal Halide	400W	120W	70%	\$1540

Certifications and Listings

- IP64 Rated
- cULus
- RoHS
- FCC*
- Lead Free
- Mercury Free

*This device complies with Part 15 of the FCC rules. Operation is subject to the following two conditions: (1) this device may not cause harmful interference, and (2) this device must accept any interference received, including interference that may cause undesired operation. Please visit: www.SYLVANIA.com/fccpart15b for more information.

Installation

- Requires easy ballast by-pass
- Lamp operates directly on line voltage, 120-277V_{AC}



Specification Data

Catalog #	
Project	
Comments	
Prepared by	

Ordering Guide

LED	XXX	HIDR	8	SC2	XXX
LED	Wattage	Lamp Type	CRI	Color Temp	Base Type
LED Lamps and Retrofits	12, 18, 27, 36, 54, 80, 100 and 120	HID Replacement	8 = 80+	SC2 = Selectable 3000K, 4000K or 5000K	MED = E26 Medium Base MOG = EX39 Mogul Base

Ordering Information

Item Number	Ordering Abbreviation	Power (W)	Base Type	Replaces	Input Voltage (V)	Average Life (hrs)	Selectable CCT	Typical Lumens (lm)	Efficacy (lm/W)	CRI	Dimming ^{2,3}	Case Qty	DLC	CEC
41006	LED12HIDR8SC2MED 4/CS 1/SKU	12	Medium base	50W HID	120-277	50,000	3000K 4000K 5000K	1680 1860 1800	140 155 150	80+	No	4	No	No
41007	LED18HIDR8SC2MED 4/CS 1/SKU	18	Medium base	70W HID	120-277	50,000	3000K 4000K 5000K	2600 2800 2700	140 155 150	80+	No	4	No	Yes
41008	LED27HIDR8SC2MED 4/CS 1/SKU	27	Medium base	100W HID	120-277	50,000	3000K 4000K 5000K	3780 4200 4050	140 155 150	80+	Yes	4	No	Yes
41009	LED36HIDR8SC2MED 4/CS 1/SKU	36	Medium base	150W HID	120-277	50,000	3000K 4000K 5000K	5040 5600 5400	140 155 150	80+	Yes	4	No	Yes
41010	LED45HIDR8SC2MOG 4/CS 1/SKU	45	Mogul base	150W HID HO ¹	120-277	50,000	3000K 4000K 5000K	6300 7000 6750	140 155 150	80+	Yes	4	No	Yes
41011	LED54HIDR8SC2MOG 4/CS 1/SKU	54	Mogul base	175W HID	120-277	50,000	3000K 4000K 5000K	7560 8400 8100	140 155 150	80+	Yes	4	No	Yes
41012	LED80HIDR8SC2MOG 4/CS 1/SKU	80	Mogul base	250W HID	120-277	50,000	3000K 4000K 5000K	11,200 12,400 12,000	140 155 150	80+	Yes	4	No	Yes
41013	LED100HIDR8SC2MOG 4/CS 1/SKU	100	Mogul base	320W HID	120-277	50,000	3000K 4000K 5000K	14,000 15,500 15,000	140 155 150	80+	Yes	4	No	Yes
41014	LED120HIDR8SC2MOG 4/CS 1/SKU	120	Mogul base	400W HID	120-277	50,000	3000K 4000K 5000K	16,800 18,600 18,000	140 155 150	80+	Yes	4	No	Yes

¹HO refers to a High Output lumen replacement.

²Dimming can be controlled through a physical knob on 27W–120W lamp types or when paired with optional motion/daylight sensor and remote control on 80W–120W lamp types.

³Not compatible with other dimmers.

Accessory Information*

Item Number	Ordering Abbreviation	Description
75055	LED/ADAPTOR/MOGULBASE**	LED Retrofit HID Mogul Base Adaptor
41145	LEDHIDREMOTE	Remote Control
41146	LEDHIDSENSORMICROWAVEMOTDAY	Motion and Daylight Sensor

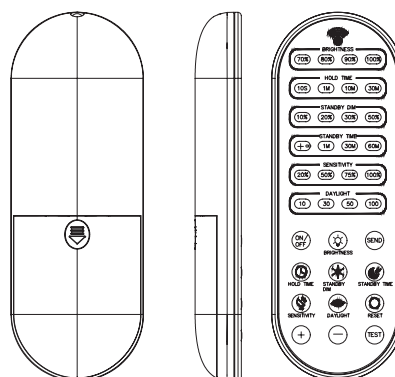
*Also compatible with HIDr AREA LIGHT and HIDr High Bay.

**Enables lamps with E26 medium base to be used in EX39 mogul base socket applications.

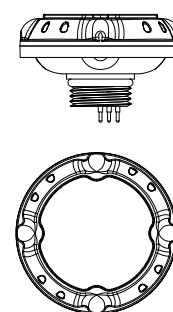
Mogul Base Adaptor



Remote Control

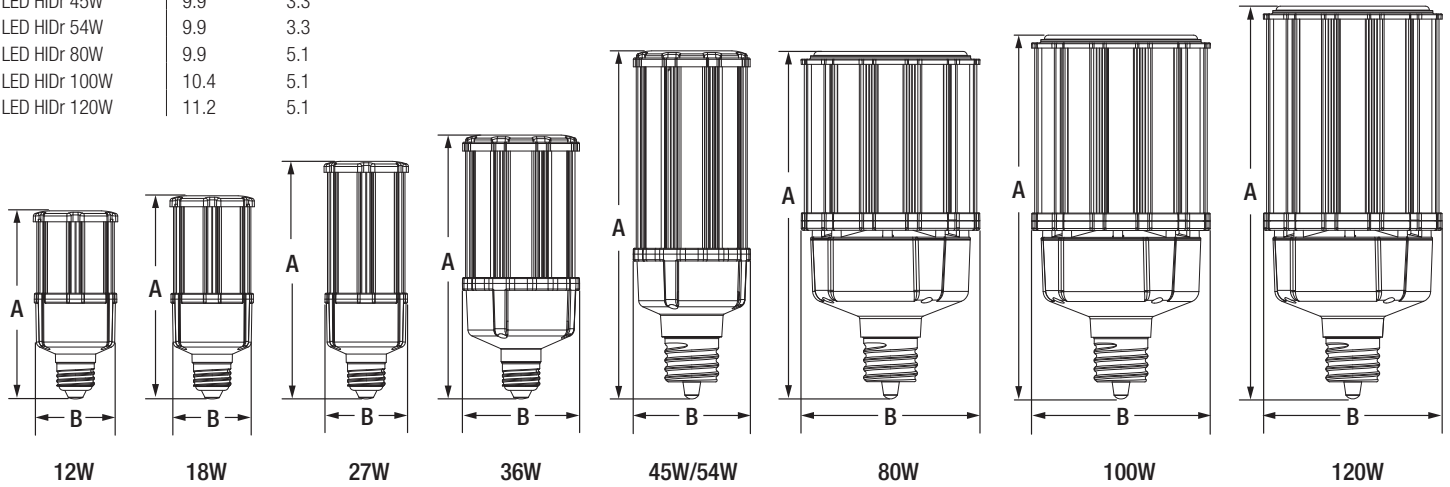


Motion and Daylight Sensor



Physical Information

Lamp Description	(A) Length (in)	(B) Diameter (in)
LED HiDr 12W	5.3	2.3
LED HiDr 18W	5.8	2.3
LED HiDr 27W	6.8	2.3
LED HiDr 36W	7.5	3.3
LED HiDr 45W	9.9	3.3
LED HiDr 54W	9.9	3.3
LED HiDr 80W	9.9	5.1
LED HiDr 100W	10.4	5.1
LED HiDr 120W	11.2	5.1



Additional Specifications

- Verify fixture size before installation to ensure fit.
- Dimming function can only be enabled either through a physical knob on 27W–120W lamps or by pairing with a SYLVANIA motion sensor and remote control (purchased separately) for 80W–120W lamps. Dimming is not compatible with other dimmers.
- Not suited with outdoor fixtures with air vents.
- Should not be directly exposed to water.

LEDVANCE LLC
 200 Ballardvale Street
 Wilmington, MA 01887 USA
 Phone 1-800-LIGHTBULB (1-800-544-4828)
www.sylvania.com

SYLVANIA and LEDVANCE are registered trademarks.
 All other trademarks are those of their respective owners.
 Licensee of product trademark SYLVANIA in general lighting.
 Specifications subject to change without notice.

[/sylvania](https://twitter.com/sylvania) [/sylvania](https://facebook.com/sylvania)

