

SubstiTUBE® CURVALUME® IPS LED T8

Energy saving replacement for 32W T8 U-Bend fluorescent lamps



SYLVANIA SubstiTUBE CURVALUME IPS LED T8 lamps are an energy saving alternative, designed to replace traditional fluorescent T8 lamps. These shatter-resistant LED T8 lamps contain no mercury, provide instant light and a uniform light distribution.

Engineered to operate on existing instant start and select programmed rapid start electronic T8 ballasts, these lamps minimize labor and recycling costs. Since the SubstiTUBE CURVALUME IPS LED T8 is not affected by switching cycles, these lamps can be used with occupancy or vacancy sensors for optimal energy savings.

Install a new QHE Instant start ballast with the SubstiTUBE CURVALUME IPS LED T8 lamp for optimal performance and to take advantage of the QUICK 72SUB+ System warranty. (See website for details.)

Key Features & Benefits

- CCT: 3000K, 3500K, 4100K, 5000K
- Dimmable down to 10% with compatible 0-10V ballast for flexible light levels
- Compatible with instant start and select programmed rapid start (parallel-wiring) electronic T8 ballasts with input voltage of 120-277V and 347V
- Power factor >0.90
- G13 medium bi-pin base
- Long life: 50,000 hour life (L₇₀)
- 5 year limited lamp warranty (24/7 operation)
- 6 year limited system warranty with purchase of new QHE IS ballast (16/7 operation)
- ETL Sanitation listed to NSF/ANSI Standard 2 – Food Equipment
- Reduces energy consumption up to 43%
- No warm-up time, instant-on with full end-to-end illumination and stable lamp to lamp color
- Glass free and impact resistant
- Suitable for open and enclosed fixtures
- Suitable for dry and damp locations (cannot come in direct contact with water)
- Maximize energy savings with occupancy sensors

Product Offering

Description	Color Temperature	CRI
13W DIM U Bend LED T8	3000K, 3500K, 4100K, 5000K	83

Application Information

Applications

- Education
- General illumination
- Office
- Parking garage

Specifications and Certifications



Specification Data

Catalog #	Type
Project	
Comments	
Prepared by	

Specifications

Energy Data

Ambient Operating Temperature: -4°F to 113°F (-20°C to 45°C)

EMI/RFI: FCC Title 47 CFR, Part 18, Non-Consumer

Max. Case Temperature: 140°F (60°C)

Lighting Data

Lumen Output: See specification table below (output is dependent on operating ballast)

Lumens per Watt: Up to 162 LPW

Correlated Color Temperature (CCT): 3000K, 3500K, 4100K, 5000K

Color Rendering Index (CRI): 83

Ordering Information

Item Number	Ordering Abbreviation	Leg Spacing	Lamp Power (W) ¹	Lamp Lumens (lm) ¹	Color Temp (CCT)	CRI	Beam Angle (°)	Pkg. Qty.	DLC (Y/N)
40580	LED13T8/U/FP/DIM/830/SUB/G8	6 inch	13	2100	3000K	83	160	10	Y
40581	LED13T8/U/FP/DIM/835/SUB/G8	6 inch	13	2100	3500K	83	160	10	Y
40582	LED13T8/U/FP/DIM/841/SUB/G8	6 inch	13	2100	4100K	83	160	10	Y
40583	LED13T8/U/FP/DIM/850/SUB/G8	6 inch	13	2100	5000K	83	160	10	Y

1. Lamp Power and Lamp Lumens rated on QHE2x32T8/UNV ISN
Please contact SYLVANIA for additional information.

Ordering Guide

LED	13	T8	/	U	/	F	P	/	DIM	/	8	41	/	SUB	/	G8
LED	Wattage (ISN ballast)	Lamp Type	/	Shape U-Bend	/	Frosted	Plastic	/	Dimmable with compatible dimming ballast	/	CRI 83	Color Temp 41 = 4100K 30 = 3000K 35 = 3500K 50 = 5000K	/	SubstiTUBE® IPS (Compatible LED T8 for use with instant start and select programmed rapid start – parallel wiring – T8 electronic ballasts)	/	Generation

Specifications & Lighting Data

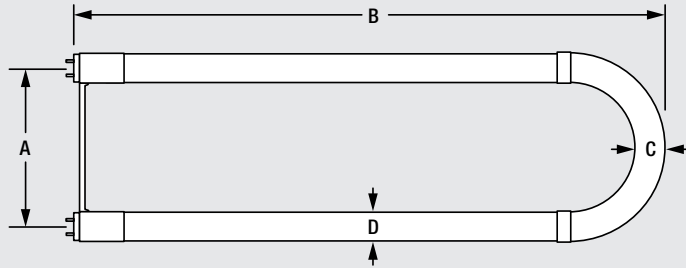
Lamp	Ballast	Current (AMPS)	System Power (W)	System Lumens (lm)	System Efficacy (lm/W)	No. of Lamps
LED13T8/U/FP/DIM/8XX/SUB/G8	QHE2X32T8/UNV-ISN-SC	0.26/0.12	32	4200	131	2

Application Information

Application Notes

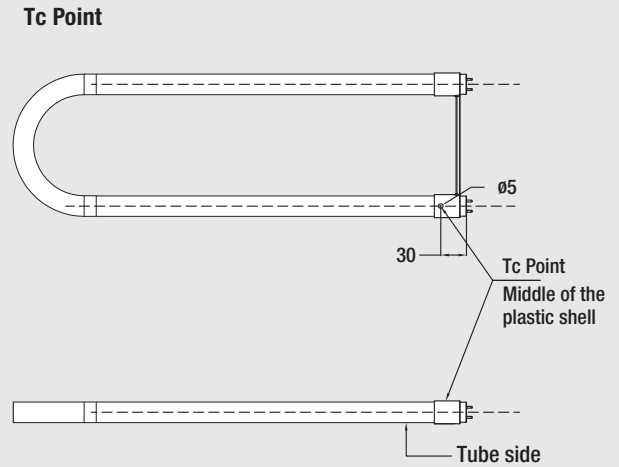
1. Due to numerous ballast designs and topologies, this lamp should be tested on existing ballasts before mass quantities are installed.
2. Not intended for use with older dedicated voltage (120V or 277V) ballasts. These ballasts have electronic components that degrade over time and may become unsuitable for the new LED T8 lamp.
3. All installation, inspection, and maintenance of lighting fixtures should be done with the power to the fixture turned off. Lamps should be installed and operated in compliance with the National Electrical Code (NEC), Underwriters Laboratories Inc. (UL) requirements, and all applicable codes and regulations.
4. Insert and align tubes properly in lamp holders. Partial insertion results in a poor or intermittent electrical contact that can result in short lamp life and arcing. Arcing at the lamp holder can result in localized overheating.
5. For instant start ballasts, use lamp holders with an internal shunt or ensure that lamp holders are wired in a shunt configuration.
6. For Programmed Rapid Start ballasts, use rapid-start lamp holders (non-shunted lamp holders).
7. De-lamp is not allowed for ISH ballasts. For approved ISN and ISL ballasts, de-lamp is allowed for only 1 lamp so long as the ballast factor remains below 1.20 (for example, 4 lamp ballasts can de-lamp to 3 lamps).
8. Operating temperature range between -4°F and 113°F (-20°C and 45°C).
9. Suitable for use in dry and damp environments.
10. Maximum mounting distance between tube and ballast is 20 feet.
11. Please read all installation instructions before attempting installation.
12. For detailed warranty information, please see www.sylvania.com

Dimensions



ANSI Spec	Typical
A (Lamp legs, center to center, nominal)	152
B (Base face to lamp end)	566
C (Bulb diameter in bend)	26
D (Bulb diameter in legs)	26

Units: millimeters



Warranty

SubstiTUBE® CURVALUME® IPS LED T8 lamps are covered by the LED T8 Lamp Limited Warranty and the QUICK 72SUB+ System Warranty, a comprehensive system warranty. For additional details, please visit www.sylvania.com/warranty

LEDVANCE LLC
 200 Ballardvale Street
 Wilmington, MA 01887 USA
 Phone 1-800-LIGHTBULB (1-800-544-4828)
www.sylvania.com

SYLVANIA and LEDVANCE are registered trademarks.
 All other trademarks are those of their respective owners.
 Licensee of product trademark SYLVANIA in general lighting.
 Specifications subject to change without notice.

[/sylvania](https://twitter.com/sylvania) [/sylvania](https://facebook.com/sylvania)

