

# RENAISSANCE™ LED PAR Family



## Key Features & Benefits

- High lumen packages and center beam candle power (CBCP) for color critical applications
- Lens facing contains full optics
- Full family – 91 CRI
- Design life: 40,000 hours (L<sub>70</sub>)\*
- Dimmable\*\*
- CCT: 2700K, 3000K and 3500K
- Beam angles: 15°, 25°, 40°
- No warm up time, instant on with full light output and stable color
- Indoor/outdoor – damp rated
- 5 year warranty

\*ENERGY STAR® Rated life: 25,000 hours (L<sub>70</sub>)  
 \*\*Performance may vary depending on dimmer used in application.

The RENAISSANCE line offers a full family of high CBCP PAR lamps with superior beam quality, ideal for color critical applications. The high R9 (R9 up to 74) feature enhances warm color palettes and makes whites more crisp, making them ideal for hospitality, healthcare and retail applications. With multiple beam angles (15°, 25° and 40°) available light is placed exactly where it's needed, with spill light surrounding for general illumination.

## Product Offering

Ordering Abbreviation	Wattage (W)	Base Type	Typical Lumens (lm)
PAR20	7, 8	25, 40	2700K, 3000K, 3500K
PAR30	12, 12.5	15, 25, 40	2700K, 3000K, 3500K
PAR30LN	12, 12.5	25, 40	2700K, 3000K, 3500K
PAR38	12, 13, 16.5, 17	15, 25, 40	2700K, 3000K, 3500K

## Application Information

### Applications

- General lighting
- Recessed downlights
- Track lighting
- Wall washer

### Market Segments

- Art galleries
- Hospitality
- Museums
- Offices
- Residential
- Restaurants
- Retail

### Application Notes

1. Operating temperature -4°F to 104°F (-20°C to 40°C)
2. Not for use with emergency light fixtures or exit lights
3. Suitable for use in UL rated fixture where protected from the weather
4. For lamp warranty information please visit: [www.sylvania.com/warranty](http://www.sylvania.com/warranty)

This device complies with part 15 of the FCC Rules. Operation is subject to the following two conditions: (1) This device may not cause harmful interference, and (2) this device must accept any interference received, including interference that may cause undesired operation. For FCC Part 15 user information, please see [www.sylvania.com/fcc15b](http://www.sylvania.com/fcc15b)

### Specifications and Certifications



Catalog #	Type
Project	
Comments	
Prepared by	

Ordering Information

Item Number	Ordering Abbreviation	Wattage (W)	Lumens (lm)	Beam Angle	CBCP	LPW	(CCT)	Input Voltage	Dimmable	CRI	R9	Power Factor	Replaces	ENERGY STAR®
<b>PAR20</b>														
78363	LED8PAR20/HD/DIM/927/NFL25	8	500	25°	1300	63	2700K	120V	Yes	91	72	0.99	50W Halogen	Yes
78366	LED8PAR20/HD/DIM/927/FL40	8	500	40°	1100	63	2700K	120V	Yes	91	72	0.99	50W Halogen	Yes
78364*	LED8PAR20/HD/DIM/930/NFL25	8	550	25°	1400	69	3000K	120V	Yes	91	55	0.99	50W Halogen	Yes
40934	LED7PAR20/HD/DIM/930/G2/NFL25	7	550	25°	2545	79	3000K	120V	Yes	91	71	0.9	50W Halogen	Yes
78367*	LED8PAR20/HD/DIM/930/FL40	8	550	40°	1200	69	3000K	120V	Yes	91	59	0.99	50W Halogen	Yes
40935	LED7PAR20/HD/DIM/930/G2/FL40	7	550	40°	1118	79	3000K	120V	Yes	91	73	0.9	50W Halogen	Yes
78365	LED8PAR20/HD/DIM/935/NFL25	8	600	25°	1400	75	3500K	120V	Yes	91	74	0.99	50W Halogen	Yes
78368	LED8PAR20/HD/DIM/935/FL40	8	600	40°	1200	75	3500K	120V	Yes	91	60	0.99	50W Halogen	Yes
<b>PAR30</b>														
40037*	LED12.5PAR30/HD/DIM/927/WSP15	12.5	900	15°	7500	72	2700K	120V	Yes	91	57	0.99	75W Halogen	Yes
40936	LED12PAR30/HD/DIM/927/G2/WSP15	12	1050	15°	12,070	88	2700K	120V	Yes	91	59	0.9	75W Halogen	Yes
79570*	LED12.5PAR30/HD/DIM/927/NFL25	12.5	900	25°	4500	72	2700K	120V	Yes	91	54	0.99	75W Halogen	Yes
40937	LED12PAR30/HD/DIM/927/G2/NFL25	12	1050	25°	5879	88	2700K	120V	Yes	91	0	0.9	75W Halogen	Yes
79573*	LED12.5PAR30/HD/DIM/927/FL40	12.5	900	40°	1800	72	2700K	120V	Yes	91	53	0.99	75W Halogen	Yes
41069	LED12PAR30/HD/DIM/927/G2/FL40	12	1050	40°	2506	88	2700K	120V	Yes	91	60	0.9	75W Halogen	Yes
40038	LED12.5PAR30/HD/DIM/930/WSP15	12.5	1000	15°	7500	80	3000K	120V	Yes	91	59	0.99	75W Halogen	Yes
79571*	LED12.5PAR30/HD/DIM/930/NFL25	12.5	1000	25°	4650	80	3000K	120V	Yes	91	56	0.99	75W Halogen	Yes
40938	LED12PAR30/HD/DIM/930/G2/NFL25	12	1050	25°	5775	88	3000K	120V	Yes	91	68	0.9	75W Halogen	Yes
79574*	LED12.5PAR30/HD/DIM/935/FL40	12.5	1000	40°	1900	80	3000K	120V	Yes	91	57	0.99	75W Halogen	Yes
40940	LED12PAR30/HD/DIM/930/G2/FL40	12	1050	40°	1750	88	3000K	120V	Yes	91	0	0.9	75W Halogen	Yes
79572*	LED12.5PAR30/HD/DIM/935/NFL25	12.5	1050	25°	4650	84	3500K	120V	Yes	91	73	0.99	75W Halogen	Yes
40939	LED12PAR30/HD/DIM/935/G2/NFL25	12	1050	25°	4700	88	3500K	120V	Yes	91	0	0.9	75W Halogen	Yes
79575*	LED12.5PAR30/HD/DIM/935/FL40	12.5	1050	40°	1900	84	3500K	120V	Yes	91	72	0.99	75W Halogen	Yes
40941	LED12PAR30/HD/DIM/935/G2/FL40	12	1050	40°	2541	88	3500K	120V	Yes	91	0	0.9	75W Halogen	Yes
<b>PAR30LN</b>														
79564	LED12.5PAR30LN/HD/DIM/927/NFL25	12.5	900	25°	4500	72	2700K	120V	Yes	91	56	0.99	75W Halogen	Yes
79567*	LED12.5PAR30LN/HD/DIM/927/FL40	12.5	900	40°	1800	72	2700K	120V	Yes	91	53	0.99	75W Halogen	Yes
40984	LED12PAR30LN/HD/DIM/927/G2/FL40	12	1050	40°	2100	88	2700K	120V	Yes	91	0	0.9	75W Halogen	Yes
79565	LED12.5PAR30LN/HD/DIM/930/NFL25	12.5	1000	25°	4650	80	3000K	120V	Yes	91	57	0.99	75W Halogen	Yes
79568*	LED12.5PAR30LN/HD/DIM/930/FL40	12.5	1000	40°	1900	80	3000K	120V	Yes	91	57	0.99	75W Halogen	Yes
40942	LED12PAR30LN/HD/DIM/930/G2/FL40	12	1050	40°	1750	88	3000K	120V	Yes	91	0	0.9	75W Halogen	Yes
79566*	LED12.5PAR30LN/HD/DIM/935/NFL25	12.5	1050	25°	4650	84	3500K	120V	Yes	91	71	0.99	75W Halogen	Yes
41114	LED12PAR30LN/HD/DIM/935/G2/NFL25	12	1050	25°	6150	88	3500K	120V	Yes	91	0	0.9	75W Halogen	Yes
79569*	LED12.5PAR30LN/HD/DIM/935/FL40	12.5	1050	40°	1900	84	3500K	120V	Yes	91	73	0.99	75W Halogen	Yes
40943	LED12PAR30LN/HD/DIM/935/G2/FL40	12	1050	40°	1750	88	3500K	120V	Yes	91	0	0.9	75W Halogen	Yes
<b>PAR38</b>														
78351*	LED13PAR38/HD/DIM/930/WSP15	13	1000	15°	13,500	77	3000K	120V	Yes	91	57	0.99	90W Halogen	Yes
40856	LED12PAR38/HD/DIM/930/G2/WSP15	12	1000	15°	13,660	83	3000K	120V	Yes	91	61	0.9	90W Halogen	Yes
78362*	LED13PAR38/HD/DIM/930/NFL25	13	1000	25°	4000	77	3000K	120V	Yes	91	57	0.99	90W Halogen	Yes
40944	LED12PAR38/HD/DIM/930/G2/NFL25	12	950	25°	5868	79	3000K	120V	Yes	91	68	0.9	120W Halogen	Yes
78361*	LED13PAR38/HD/DIM/930/FL40	13	1000	40°	1800	77	3000K	120V	Yes	91	57	0.99	90W Halogen	Yes
40945	LED12PAR38/HD/DIM/930/G2/FL40	12	950	40°	2270	79	3000K	120V	Yes	91	71	0.9	120W Halogen	Yes
78352	LED16.5PAR38/HD/DIM/927/WSP15	16.5	1250	15°	12,500	76	2700K	120V	Yes	91	55	0.99	120W Halogen	Yes
78355*	LED16.5PAR38/HD/DIM/930/WSP15	16.5	1350	15°	13,000	82	3000K	120V	Yes	91	60	0.99	120W Halogen	Yes
40857	LED16.5PAR38/HD/DIM/930/G2/WSP15	16.5	1350	15°	16,514	82	3000K	120V	Yes	91	58	0.9	120W Halogen	Yes
78358*	LED16.5PAR38/HD/DIM/935/WSP15	16.5	1350	15°	13,000	82	3500K	120V	Yes	91	56	0.99	120W Halogen	Yes
40946	LED16.5PAR38/HD/DIM/935/G2/WSP15	16.5	1350	15°	16,550	82	3500K	120V	Yes	91	0	0.9	120W Halogen	Yes
78353*	LED16.5PAR38/HD/DIM/927/NFL25	16.5	1250	25°	5600	76	2700K	120V	Yes	91	56	0.99	120W Halogen	Yes
40947	LED16.5PAR38/HD/DIM/927/G2/NFL25	16.5	1350	25°	7897	82	2700K	120V	Yes	91	59	0.9	120W Halogen	Yes
78356*	LED16.5PAR38/HD/DIM/930/NFL25	16.5	1350	25°	5800	82	3000K	120V	Yes	91	58	0.99	120W Halogen	Yes
40858	LED16.5PAR38/HD/DIM/930/G2/NFL25	16.5	1350	25°	7491	82	3000K	120V	Yes	91	72	0.9	120W Halogen	Yes
78359	LED16.5PAR38/HD/DIM/935/NFL25	16.5	1350	25°	5800	82	3500K	120V	Yes	91	60	0.99	120W Halogen	Yes
78354*	LED16.5PAR38/HD/DIM/927/FL40	16.5	1250	40°	2300	76	2700K	120V	Yes	91	56	0.99	120W Halogen	Yes
40948	LED16.5PAR38/HD/DIM/927/G2/FL40	16.5	1350	40°	2696	82	2700K	120V	Yes	91	54	0.9	120W Halogen	Yes
78357*	LED16.5PAR38/HD/DIM/930/FL40	16.5	1350	40°	2350	82	3000K	120V	Yes	91	58	0.99	120W Halogen	Yes
40859	LED16.5PAR38/HD/DIM/930/G2/FL40	16.5	1350	40°	2678	82	3000K	120V	Yes	91	69	0.9	120W Halogen	Yes
78360*	LED16.5PAR38/HD/DIM/935/FL40	16.5	1350	40°	2350	82	3500K	120V	Yes	91	60	0.99	120W Halogen	Yes
40949	LED17PAR38/HD/DIM/935/G2/FL40	17	1350	40°	3226	79	3500K	120V	Yes	91	61	0.9	120W Halogen	Yes

\*Once inventory is depleted, NAED will become obsolete.

## Ordering Guide

<b>LED</b>	<b>XX</b>	<b>XX</b>	<b>/</b>	<b>HD</b>	<b>/</b>	<b>DIM</b>	<b>/</b>	<b>9</b>	<b>XXXX</b>	<b>/</b>	<b>XX</b>
LED Lamps and Retrofits	Wattage 7, 8, 12, 12.5, 13, 16.5, 17	Shape PAR20, PAR30, PAR30LN, PAR38		High Definition		Dimmable		CRI = 91	Color Temperature 2700K, 3000K, 3500K		Beam Angle 15°, 25°, 40°

## Dimmer Compatibility

Dimmer Manufacturer	Dimmer Model	Control Type <sup>1</sup>	Item Number								
			8W		12.5W		13W		16.5W		
			Lamps Min-Max <sup>2</sup>	Dimming Range <sup>3</sup>	Lamps Min-Max <sup>2</sup>	Dimming Range <sup>3</sup>	Lamps Min-Max <sup>2</sup>	Dimming Range <sup>3</sup>	Lamps Min-Max <sup>2</sup>	Dimming Range <sup>3</sup>	
			78363, 78366, 78364, 78367, 78365, 78368		40037, 79570, 79573, 40038, 79571, 79574, 40039, 79572, 79575, 79564, 79567, 79565, 79568, 79566, 79569		79351, 79362, 79361		79352, 78355, 78358, 78353, 78356, 78359, 78354, 78357, 78360		
<b>Lutron</b>	C.L. <sup>4</sup>	FP	1 to 18	10-100%	1 to 12	10-100%	1 to 11	10-100%	1 to 9	10-100%	
	MACL-153M	FP	1 to 18	10-100%	1 to 12	10-100%	1 to 11	10-100%	1 to 9	10-100%	
	PD-6WCL	FP	1 to 18	10-100%	1 to 12	10-100%	1 to 11	10-100%	1 to 9	10-100%	
	DVELV-300P	RP	1 to 22	10-100%	1 to 16	10-100%	1 to 15	10-100%	1 to 13	10-100%	
	SELV-300P	RP	1 to 22	10-100%	1 to 16	10-100%	1 to 15	10-100%	1 to 13	10-100%	
	MAELV-600	RP	1 to 25	10-100%	1 to 20	10-100%	1 to 19	10-100%	1 to 16	10-100%	
<b>Leviton</b>	6674	FP	1 to 18	10-100%	1 to 12	10-100%	1 to 11	10-100%	1 to 9	10-100%	
<b>Legrand</b>	RHCL-453PW	FP	1 to 18	10-100%	1 to 12	10-100%	1 to 11	10-100%	1 to 9	10-100%	

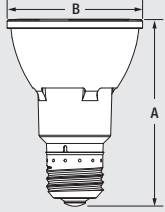
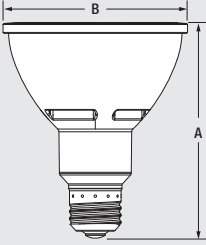
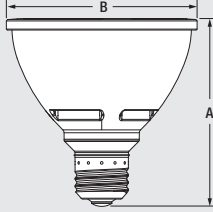
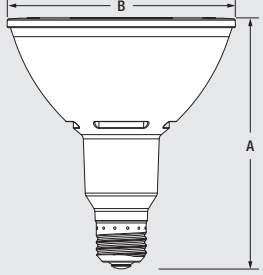
<sup>1</sup>Control types FP and RP represent Forward Phase and Reverse Phase, respectively.

<sup>2</sup>Maximum lamps per dimmer value represents the maximum safe loading of the control.

<sup>3</sup>Values are based on light output using the specified dimming control, and may not be an indication of the fixture's full rated capability.

<sup>4</sup>Includes models DVCL/TGCL/AYCL/SCL/CTCL/LECL.

## Lamp Dimensions

	(A) MOL inches (mm)	(B) Diameter inches (mm)	
PAR20	3.5 (88)	2.5 (64)	
PAR30LN	4.5 (114)	3.7 (95)	
PAR30SN	3.6 (92)	3.7 (95)	
PAR38	5.1 (132)	4.7 (120.5)	

LEDVANCE LLC

200 Ballardvale Street

Wilmington, MA 01887 USA

Phone 1-800-LIGHTBULB (1-800-544-4828)

www.sylvania.com

SYLVANIA and LEDVANCE are registered trademarks.

All other trademarks are those of their respective owners.

Licensee of product trademark SYLVANIA in general lighting.

Specifications subject to change without notice.

