

Features

- 1. Track attachment fitting:** Molded polycarbonate. Integral color in gray, black or white. Rotates into track and locks into place with the use of push tab.
- 2. Push tab:** Molded polycarbonate. Locks and detaches unit.
- 3. Track adapter housing:** Die cast aluminum. Steel eyelet friction connection. Rotates 350°.
- 4. Movable contact:** Solid Brass. Extends for connection to 2nd circuit in Advent track.
- 5. Ground contact:** Solid Brass.
- 6. Vertical pivot mount:** Stainless steel eyelet friction connection. Rotates +/-90° from vertical aim to floor.
- 7. Driver housing:** Extruded aluminum with die cast aluminum end caps.
- 8. Integrated heat sink:** Die cast aluminum effectively cools leds providing a minimum 50,000 hr lifetime at 70% lumen maintenance.
- 9. Optic assembly:** Efficient TIR (total internal reflection) optically clear thermoplastic lenses held securely by frosted translucent thermoplastic holder. Positive securement into luminaire with screws and accurately positioned on leds with locating pins. Prevents dust and contaminants from entering led compartment.
- 10. Light source:** 12 high brightness white led. 80-85 CRI, LEDS selected for tight color consistency between luminaires single 3 step MacAdam ellipse max.

Accessories holder: LLAB1AH/BK/WH

Accepts one accessory.

Snoot: 23SNT6WH/BK/AL

Louwer: AL4HC Series

Diffusion/Special Filters: AF4AS

Mounting

For use with Lytespan Basic, Advent, Radius track, and monopoints. May be used with Lytespan to ProSpec adaptor 26075BK/WH when ProSpec track is preferred.

Finish

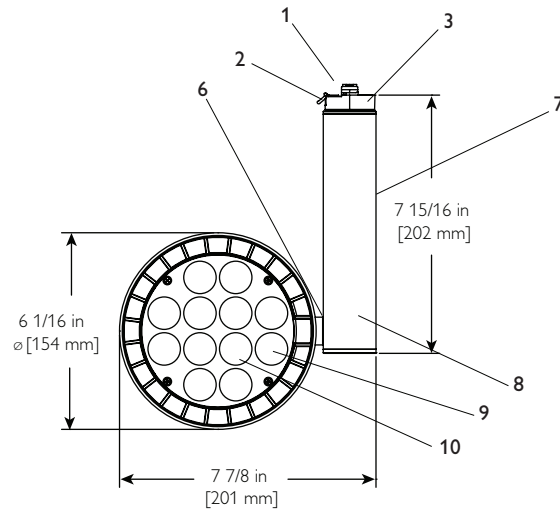
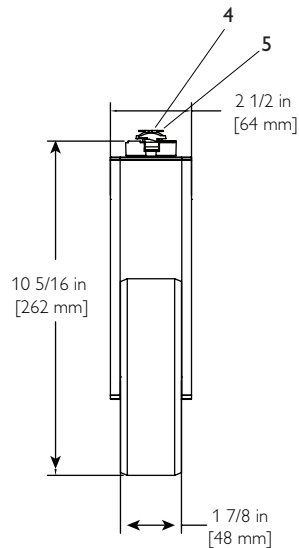
Powder coated finish.

Job Information	Type:
Job Name:	
Cat. No.:	
Notes:	

LLAB1

Lytespan Spot LED

Page 2 of 3



Ordering information

Cat. No.	Finish	Description	CCT	CRI
LLAB127RSWH	White	Spot	2700K	85
LLAB127RSAL	Aluminum			
LLAB127RSBK	Black			
LLAB127RNFWH	White	Narrow Flood	2700K	85
LLAB127RNFAL	Aluminum			
LLAB127RNFBK	Black			
LLAB127RFWH	White	Flood	2700K	85
LLAB127RFAL	Aluminum			
LLAB127RFBK	Black			
LLAB130RSWH	White	Spot	3000K	85
LLAB130RSAL	Aluminum			
LLAB130RSBK	Black			
LLAB130RNFWH	White	Narrow Flood	3000K	85
LLAB130RNFAL	Aluminum			
LLAB130RNFBK	Black			
LLAB130RFWH	White	Flood	3000K	85
LLAB130RFAL	Aluminum			
LLAB130RFBK	Black			
LLAB140SWH	White	Spot	4000K	85
LLAB140RSAL	Aluminum			
LLAB140RSBK	Black			
LLAB140RNFWH	White	Narrow Flood	4000K	85
LLAB140RNFAL	Aluminum			
LLAB140RNFBK	Black			
LLAB140RFWH	White	Flood	4000K	85
LLAB140RFAL	Aluminum			
LLAB140RFBK	Black			

Electrical

Input voltage: 120V 50/60Hz

Power factor: >.9

Beam Spread (3000K)	Lumens	CBCP	Input Power (W)
Spot 11°	2168	45,025	34
Narrow Flood 22°	1954	9342	34
Flood 39°	1847	3,641	34

Dimming: ELV

Lightolier Controls: ZP425QE

Lutron Skylark: SELV-300P-WH

Leviton Decora: IPE04-ILX

Labels

cULus listed. 5 year warranty

Energy Star qualified

Job Information	Type:
------------------------	--------------

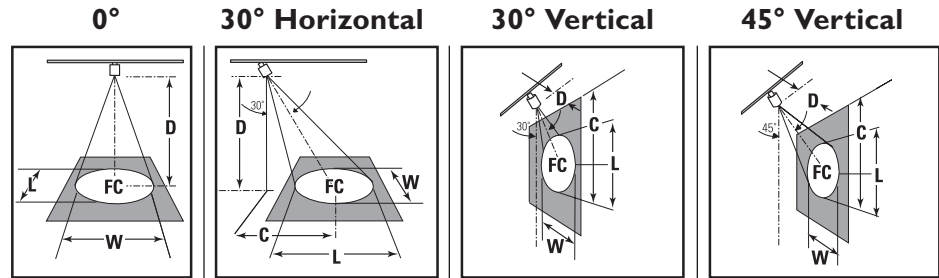
PHILIPS

LIGHTOLIER

Aiming angle

L Beam length **D** Distance
W Beam Width **A** Aiming Angle
C Distance to center beam **FC** Footcandles

L and **W** are the outer points where the candle power drops to 50% of the maximum. **FC** are the initial footcandles at the center of the beam. Data shown is for 3000K, for 2700K multiply FC by 0.91
 CBCP = Center Beam Candle Power.



	Beam Spread (To 50% CBCP)	CBCP	Rated Life (Hrs.)	0°				30° Horizontal				30° Vertical				45° Vertical						
				D	FC	L	W	D	C	FC	L	W	D	C	FC	L	W	D	C	FC	L	W
LLAB130 Spot		45,025	50,000	18	139	3.5	3.5	18	10.4	90	4.6	4.0	8	13.9	88	6.3	3.1	8	8.0	249	3.1	2.2
				20	113	3.9	3.9	20	11.5	73	5.2	4.4	9	15.6	69	7.1	3.5	9	9.0	197	3.5	2.5
				22	93	4.2	4.2	22	12.7	60	5.7	4.9	10	17.3	56	7.9	3.9	10	10.0	159	3.9	2.7
				24	78	4.6	4.6	24	13.9	51	6.2	5.3	11	19.1	47	8.7	4.2	11	11.0	132	4.3	3.0
LLAB130 Narrow Flood		9,342	50,000	8	146	3.1	3.1	8	4.6	95	4.2	3.6	3	5.2	130	5.3	2.3	3	3.0	367	2.4	1.6
				10	93	3.9	3.9	10	5.8	61	5.2	4.5	4	6.9	73	7.0	3.1	4	4.0	206	3.2	2.2
				12	65	4.7	4.7	12	6.9	42	6.3	5.4	5	8.7	47	8.8	3.9	5	5.0	132	4.0	2.7
				14	48	5.4	5.4	14	8.1	31	7.3	6.3	6	10.4	32	10.5	4.7	6	6.0	92	4.8	3.3
LLAB130 Flood		3,641	50,000	5	146	3.5	3.5	5	2.9	95	4.9	4.1	2	3.5	114	9.1	2.8	2	2.0	322	3.2	2.0
				6	101	4.2	4.2	6	3.5	66	5.9	4.9	3	5.2	51	13.6	4.2	3	3.0	143	4.9	3.0
				7	74	5.0	5.0	7	4.0	48	6.9	5.7	4	6.9	28	18.2	5.7	4	4.0	80	6.5	4.0
				8	57	5.7	5.7	8	4.6	37	7.9	6.5	5	8.7	18	22.7	7.1	5	5.0	51	8.1	5.0



Philips Lightolier
 e: lol.webmaster@philips.com
 t: (508) 679-8131
 w: www.lightolier.com

LLAB1 March 20, 2012

Specifications are subject to change without notice.
 © Koninklijke Philips Electronics N.V., 2010. All rights reserved.

Job Information **Type:**