

LED LOC-ELHB V2 High Bay Light Family Series

CONSTRUCTION:

Corrosive resistant polyester powder coat finish. PC3000U lens. Aluminum Alloy.

OPTICAL SYSTEM:

Philips Lumiled 3030 LED chips. 90° beam angle standard.

WARRANTY:

5-year limited warranty. Actual performance may differ as a result of end-user environment and application.

ELECTRICAL:

Available as 120-277V or 277-480V input.

Operating Temperature: -30°C to 50°C, -22°F to 122°F

INSTALLATION & MOUNTING:

Hook mount.

DIMMING:

0-10V dimming

FEATURES

- Multi Watt Models Only:
 - Default Wattage is the highest wattage
 - 150W
 - 250W
 - 400W
- IP65 rated
- SPD 6KV
- Corrosion resistant
- Easy installation and maintenance
- 50,000 hours lifetime

SUITABLE APPLICATIONS

- Warehouse
- Manufacturing facilities
- Convention centers
- Sporting Arenas
- Big-box retail stores
- Cold storage facilities
- Gymsnasiums



80W / 100W / 150W



180W / 200W / 250W



300W / 350W / 400W



7.5-foot cord (150W and 250W models)

DLC Product ID:

- LOC-ELHB-MW(80/100/150)50KD-LV-V2 – S-9MMST9
- LOC-ELHB-MW(180/200/250)50KD-LV-V2 – S-KQ49HS
- LOC-ELHB-MW(300/350/400)50KD-LV-V2 – S-Q3MY2J
- LOC-ELHB-MW(300/350/400)50KD-HV-V2 – S-7NXPF8
- LOC-ELHB-MW(80/100/150)MCCT(35/40/50)LV-V2 – S-Z0Y1VX
- LOC-ELHB-MW(80/100/150)MCCT(35/40/50)HV-V2 – S-1RZP8L
- LOC-ELHB-MW(180/200/250)MCCT(35/40/50)LV-V2 – S-HWX3BV
- LOC-ELHB-MW(180/200/250)MCCT(35/40/50)HV-V2 – S-WVGLSH



OPTIONAL ACCESSORIES:



PC Dome Cover
LOC-ELHB-V2-PCD



150W Reflector
LOC-ELHB-V2-150WPCR



250W Reflector
LOC-ELHB-V2-250WPCR



Photocell (Daylight Sensor)
LOC-SK-101-4T
(Not compatible with remote control)



Emergency Driver
LOC-EMDR-30WLI-200



Adapter
LOC-ELHB-V2-ADPT



Remote Control
LOC-RC-WHITE-G1



Microwave Sensor
LOC-ACY-S-MWS-01-G1
(Compatible with LOC-RC-WHITE-G1)



Microwave Bluetooth Sensor
LOC-ACY-S-MWS-BT-01-G1
(Compatible with App)



PIR Sensor
LOC-ACY-S-PIRS-01-G1
(Compatible with LOC-RC-WHITE-G1)



PIR Bluetooth Sensor
LOC-ACY-S-PIRS-BT-01-G1
(Compatible with App)



U-Bracket
LOC-ELHB-V2-UBRK

LOC-ELHB-MW(80/100/150)50KD-LV-V2

WATTAGE SELECTABLE	CCT	LUMENS	EFFICACY	VOLTAGE	CRI	POWER FACTOR	THD	REPLACES
80W	5000K	12,936.8LM	161.71lm/W	120-277V	84	0.9	15%	175W – 600W HID
100W	5000K	16,171LM	161.71lm/W	120-277V	84	0.9	15%	175W – 600W HID
150W	5000K	24,256.5LM	161.71lm/W	120-277V	84	0.9	15%	175W – 600W HID

LOC-ELHB-MW(180/200/250)50KD-LV-V2

WATTAGE SELECTABLE	CCT	LUMENS	EFFICACY	VOLTAGE	CRI	POWER FACTOR	THD	REPLACES
180W	5000K	28,990.8LM	161.06lm/W	120-277V	83	0.9	15%	600W – 1,000W HID
200W	5000K	32,212LM	161.06lm/W	120-277V	83	0.9	15%	600W – 1,000W HID
250W	5000K	40,265LM	161.06lm/W	120-277V	83	0.9	15%	600W – 1,000W HID

LOC-ELHB-MW(300/350/400)50KD-LV-V2

WATTAGE SELECTABLE	CCT	LUMENS	EFFICACY	VOLTAGE	CRI	POWER FACTOR	THD	REPLACES
300W	5000K	42,756LM	142.52lm/W	120-277V	82	0.9	15%	
350W	5000K	49,882LM	142.52lm/W	120-277V	82	0.9	15%	
400W	5000K	57,008LM	142.52lm/W	120-277V	82	0.9	15%	

LOC-ELHB-MW(300/350/400)50KD-HV-V2

WATTAGE SELECTABLE	CCT	LUMENS	EFFICACY	VOLTAGE	CRI	POWER FACTOR	THD	REPLACES
300W	5000K	42,456LM	141.52lm/W	277-480V	83	0.9	15%	
350W	5000K	49,532LM	141.52lm/W	277-480V	83	0.9	15%	
400W	5000K	56,608LM	141.52lm/W	277-480V	83	0.9	15%	

LOC-ELHB-MW(80/100/150)MCCT(35/40/50)LV-V2

WATTAGE SELECTABLE	CCT SELECTABLE	LUMENS	EFFICACY	VOLTAGE	CRI	POWER FACTOR	THD	REPLACES
80W	3,500K / 4,000K / 5,000K	11,408.8LM	142.61lm/W	120-277V	82	0.9	15%	175W – 600W HID
100W	3,500K / 4,000K / 5,000K	14,261LM	142.61lm/W	120-277V	82	0.9	15%	175W – 600W HID
150W	3,500K / 4,000K / 5,000K	21,391.5LM	142.61lm/W	120-277V	82	0.9	15%	175W – 600W HID

LOC-ELHB-MW(80/100/150)MCCT(35/40/50)HV-V2

WATTAGE SELECTABLE	CCT SELECTABLE	LUMENS	EFFICACY	VOLTAGE	CRI	POWER FACTOR	THD	REPLACES
80W	3,500K / 4,000K / 5,000K	11,554.4LM	144.43lm/W	277-480V	82	0.9	15%	175W – 600W HID
100W	3,500K / 4,000K / 5,000K	14,443LM	144.43lm/W	277-480V	82	0.9	15%	175W – 600W HID
150W	3,500K / 4,000K / 5,000K	21,664.5LM	144.43lm/W	277-480V	82	0.9	15%	175W – 600W HID

LOC-ELHB-MW(180/200/250)MCCT(35/40/50)LV-V2

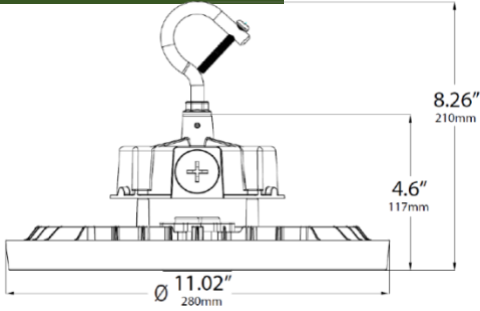
WATTAGE SELECTABLE	CCT SELECTABLE	LUMENS	EFFICACY	VOLTAGE	CRI	POWER FACTOR	THD	REPLACES
180W	3,500K / 4,000K / 5,000K	25,219.8LM	140.11lm/W	120-277V	82	0.9	15%	600W – 1,000W HID
200W	3,500K / 4,000K / 5,000K	28,022LM	140.11lm/W	120-277V	82	0.9	15%	600W – 1,000W HID
250W	3,500K / 4,000K / 5,000K	35,027.5LM	140.11lm/W	120-277V	82	0.9	15%	600W – 1,000W HID

LOC-ELHB-MW(180/200/250)MCCT(35/40/50)HV-V2

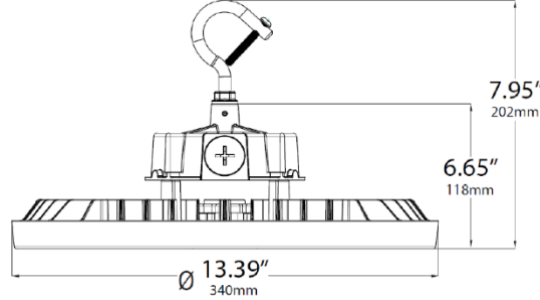
WATTAGE SELECTABLE	CCT SELECTABLE	LUMENS	EFFICACY	VOLTAGE	CRI	POWER FACTOR	THD	REPLACES
180W	3,500K / 4,000K / 5,000K	25,819.2LM	143.44lm/W	277-480V	82	0.9	15%	600W – 1,000W HID
200W	3,500K / 4,000K / 5,000K	28,688LM	143.44lm/W	277-480V	82	0.9	15%	600W – 1,000W HID
250W	3,500K / 4,000K / 5,000K	35,860LM	143.44lm/W	277-480V	82	0.9	15%	600W – 1,000W HID

MEASUREMENTS

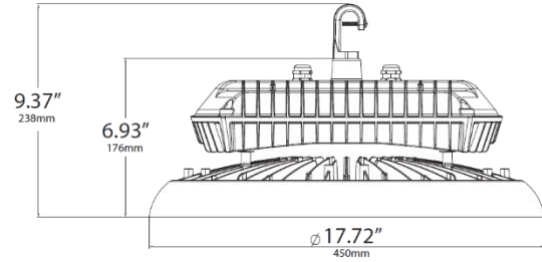
80W / 100W / 150W



180W / 200W / 250W



300W / 350W / 400W



MODEL	QTY	NET WEIGHT	MASTER CARTON SIZE	GROSS WEIGHT	PCS CTN	UPC CODE
LOC-ELHB-MW(80/100/150)50KD-LV-V2	1	5.07lbs	12.99" x 12.99" x 6.3"	6.94lbs	1	00810050947114
LOC-ELHB-MW(180/200/250)50KD-LV-V2	1	6.77lbs	15.35" x 15.35" x 6.3"	9.04lbs	1	00810050947121
LOC-ELHB-MW(300/350/400)50KD-LV-V2	1	14.99 lbs	20.08" x 20.08" x 9.06"	18.08 lbs	1	00810050947640
LOC-ELHB-MW(300/350/400)50KD-HV-V2	1	14.99 lbs	20.08" x 20.08" x 9.06"	18.08 lbs	1	00810050947640
LOC-ELHB-MW(80/100/150)MCCT(35/40/50)LV-V2	1	5.07lbs	12.99" x 12.99" x 6.3"	6.94lbs	1	00810050948036
LOC-ELHB-MW(80/100/150)MCCT(35/40/50)HV-V2	1	6.77lbs	15.35" x 15.35" x 6.3"	9.04lbs	1	00810050948050
LOC-ELHB-MW(180/200/250)MCCT(35/40/50)LV-V2	1	5.07lbs	20.08" x 20.08" x 9.06"	6.94lbs	1	00810050948043
LOC-ELHB-MW(180/200/250)MCCT(35/40/50)HV-V2	1	6.77lbs	20.08" x 20.08" x 9.06"	9.04lbs	1	00810050948067