

LED LOC-EMDR-18W-AC Emergency Driver Series



LOC-EMDR-18W-AC-C



LOC-EMDR-18W-AC-L

FEATURES

- Listed to UL924
- Test to CSA C22.2 NO. 141 Field or factory installation
- High input voltage
- 13.9FT maximum mounting height
- Low energy consumption CEC compliance
- Constant output power
- Self-testing
- Battery: Li-ion / LiFePO4
- Battery:
 - Over temperature protection
 - Over charge protection
 - Over discharge protection
- Malfunction indication function
- Surge protection: Line-neutral 3KV
- Ambient Temp: Li-ion: 5°C-50°C (41°F-122°F)
- 5-year limited warranty

SELF-TESTING

- The integrated self-diagnostic circuitry will automatically conduct monthly 30-second and annual 90-minute tests to verify proper emergency capability per Life Safety Code requirements. NFPA 101, Life Safety Code Outlines the following schedule:
 - **Monthly:** During AC mode, the system conducts a 30-seconds self-discharge test of the emergency LED driver every 30 days.
 - **Annually:** During AC mode, the system conducts a 90-minutes self-discharge test of the emergency LED driver ever 365 days and automatically restores to normal charging after fully discharged.



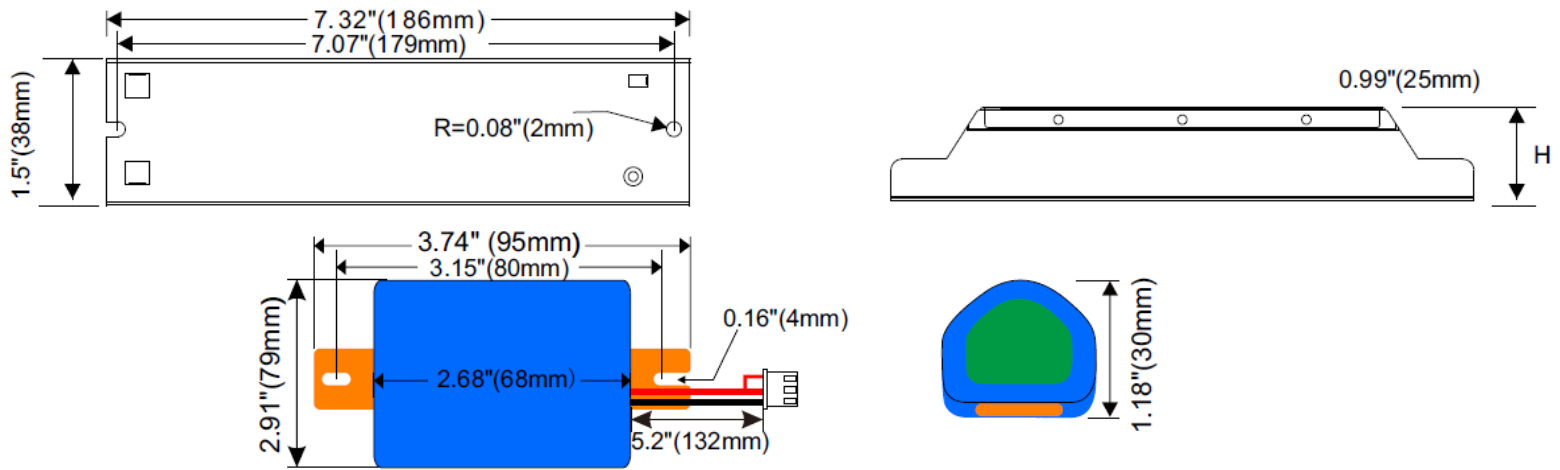
OPERATING MODE

MODE	TEST BUTTON OPERATION	INDICATOR STATUS	INICATOR MEANING
AC MODE (1)	NO Press	ON (no flashing)	Emergency LED driver is charging
AC MODE (2)	Press Once	2s ON and 2s OFF (slow flashing)	Emergency LED driver is conducting a 30s short-term emergency test. After 30 seconds, it will automatically restore to normal charging mode
AC MODE (3)	Press Twice (2s) in sequence	2s ON and 2s OFF (slow flashing)	Emergency LED driver is conducting a long-term emergency test until the battery is fully discharge
EMERGENCY MODE	NO Press	2s ON and 2s OFF (slow flashing)	Emergency LED driver is conducting a long-term emergency test until battery is has power
ABNORMAL	When flashes (50ms) ON and (50ms) OFF fast, the emergency backup pack is abnormal. Contact your sales representative.		
WARNING! Risk of Electric Shock	Note: Please press once test button to make certain the battery is turned off before installation, maintenance, storage or shipping.		

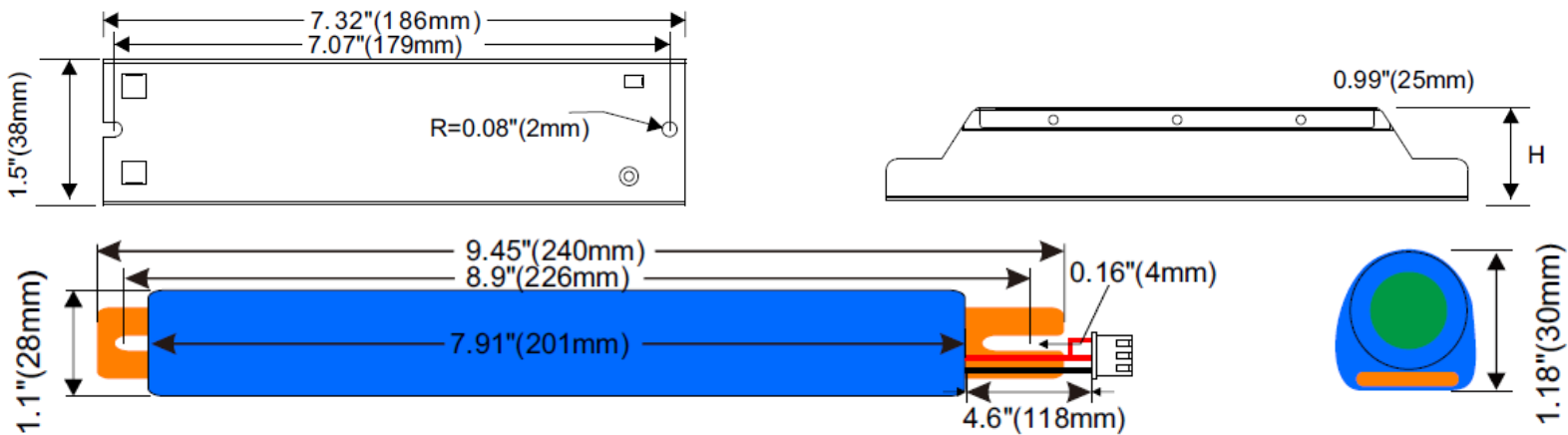
LOC-EMDR-18W-AC-L						
INPUT VOLTAGE	INPUT CURRENT	INPUT POWER RATING	OUTPUT VOLTAGE	EMERGENCY POWER	RECHARGE TIME	DISCHARGE TIME
100-347Vac, 50/60Hz	150mA max.	10W max.	170Vdc	18W max.	24 hrs	1.5h
LOC-EMDR-18W-AC-C						
INPUT VOLTAGE	INPUT CURRENT	INPUT POWER RATING	OUTPUT VOLTAGE	EMERGENCY POWER	RECHARGE TIME	DISCHARGE TIME
100-347Vac, 50/60Hz	150mA max.	10W max.	170Vdc	18W max.	24 hrs	1.5h

MEASUREMENTS

LOC-EMDR-18W-AC-C



LOC-EMDR-18W-AC-L



MODEL	QTY	NET WEIGHT	MASTER CARTON SIZE	GROSS WEIGHT	PCS CTN	UPC CODE
LOC-EMDR-18W-AC-L	1	1.06lbs	15.75" x 10.75" x 7.09"	25.13lbs	20	00810050947022
LOC-EMDR-18W-AC-C	1	1.01lbs	17.2" x 10.63" x 8.66"	24.69lbs	20	00810050947039