

## LED Linear High Bay Family Series

### CONSTRUCTION:

Aluminum housing. White housing.

### OPTICAL SYSTEM:

Lumileds SMD 2835 LED chips. 90° beam angle. Type V diffuser.

### WARRANTY:

5-year limited warranty. Actual performance may differ as a result of end-user environment and application.

### ELECTRICAL:

Available as 120-277V input.

**Operating Temperature:** without Motion Sensor or Emergency Power Supply: -40°C to 65°C, -40°F to 149°F

With Motion Sensor: -30°C to 60°C, -22°F to 140°F

With Emergency Power Supply: 0°C to 60°C, 32°F to 140°F

### INSTALLATION & MOUNTING:

Hanging chain mounting.

### CONTROLS & DIMMING:

0-10V dimming comes standard.

### FEATURES

- Default Wattage:
  - 150W
  - 300W
- Default CCT:
  - 5,000K
- Instant start, no flickering, no humming
- Easy installation and maintenance
- 50,000 hours lifetime

### SUITABLE APPLICATIONS

- Warehouses
- Factories
- Supermarkets
- Logistic Centers
- Exhibition Halls



80W / 120W / 150W



200W / 250W / 300W



### MOUNTING OPTION:



Chain

### OPTIONAL ACCESSORIES:



Microwave Sensor  
**LOC-ACY-S-MWS-01-G1**  
(Compatible with LOC-RC-WHITE-G1)



Microwave Bluetooth Sensor  
**LOC-ACY-S-MWS-BT-01-G1**  
(Compatible with App)



PIR Sensor  
**LOC-ACY-S-PIRS-01-G1**  
(Compatible with LOC-RC-WHITE-G1)



PIR Bluetooth Sensor  
**LOC-ACY-S-PIRS-BT-01-G1**  
(Compatible with App)



Remote Control  
**LOC-RC-WHITE-G1**



Photocell (Daylight Sensor)  
**LOC-SK-101-4T**  
(Not compatible with remote control)



Motion Sensor  
**LOC-ANT-5-4T**  
(Compatible with LOD-RC-100)



Remote Control  
**LOD-RC-100**

### DLC Product ID:

- LOC-FGLHB-MW(80/120/150)MCCT(35/40/50) – S-HH3TVL
- LOC-FGLHB-MW(200/250/300)MCCT(35/40/50) – S-VW71R8



## LOC-FGLHB-MW(80/120/150)MCCT(35/40/50)

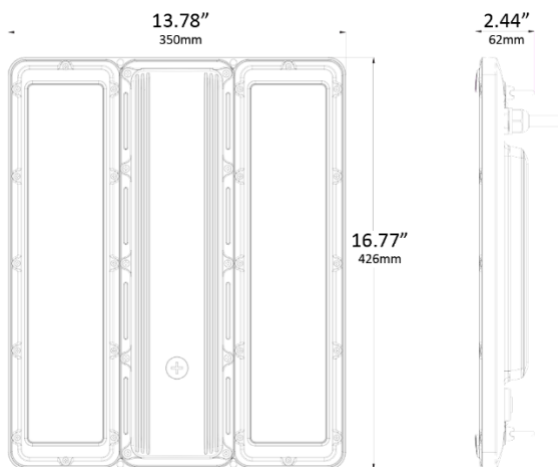
WATTAGE SELECTABLE	CCT SELECTABLE	LUMENS	EFFICACY	VOLTAGE	CRI	POWER FACTOR	THD	REPLACES
80W	3500K / 4000K / 5000K	13,017.6LM	162.72lm/W	120-347V	83	0.9	15%	
120W	3500K / 4000K / 5000K	19,526.4LM	162.72lm/W	120-347V	83	0.9	15%	
150W	3500K / 4000K / 5000K	24,408LM	162.72lm/W	120-347V	83	0.9	15%	

## LOC-FGLHB-MW(200/250/300)MCCT(35/40/50)

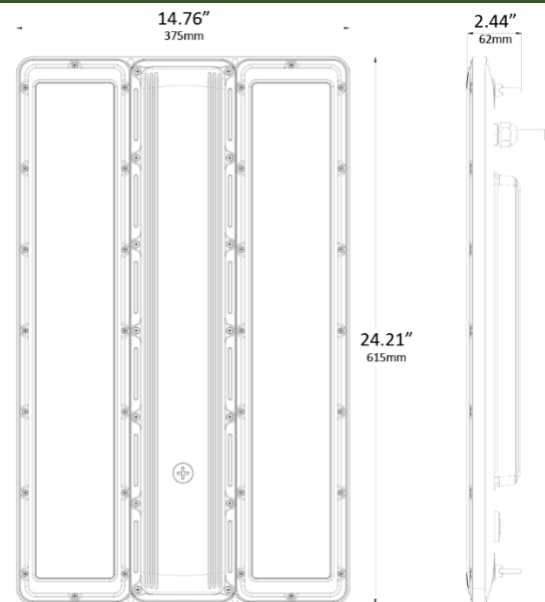
WATTAGE SELECTABLE	CCT SELECTABLE	LUMENS	EFFICACY	VOLTAGE	CRI	POWER FACTOR	THD	REPLACES
200W	3500K / 4000K / 5000K	31,684LM	158.42lm/W	120-347V	83	0.9	15%	
250W	3500K / 4000K / 5000K	39,605LM	158.42lm/W	120-347V	83	0.9	15%	
300W	3500K / 4000K / 5000K	47,526LM	158.42lm/W	120-347V	83	0.9	15%	

## MEASUREMENTS

### LOC-FGLHB-MW(80/120/150)MCCT(35/40/50)



### LOC-FGLHB-MW(200/250/300)MCCT(35/40/50)



MODEL	QTY	NET WEIGHT	MASTER CARTON SIZE	GROSS WEIGHT	PCS CTN	UPC CODE
LOC-FGLHB-MW(80/120/150)MCCT(35/40/50)	1	10.58lbs	17.72" x 14.57" x 3.94"	12.79lbs	1	00810050948005
LOC-FGLHB-MW(200/250/300)MCCT(35/40/50)	1	16.09lbs	25.39" x 15.75" x 3.94"	18.74lbs	1	00810050948012