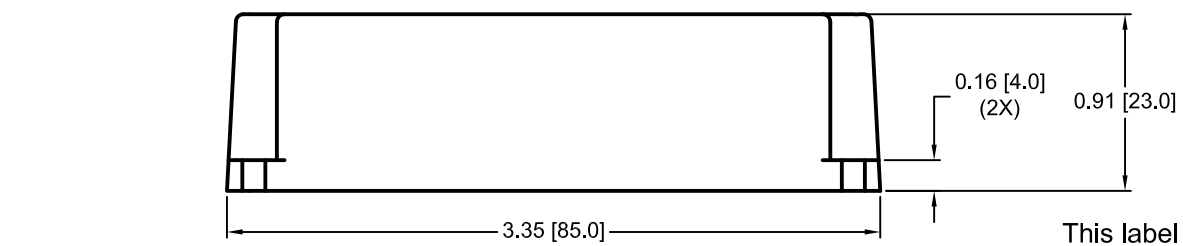
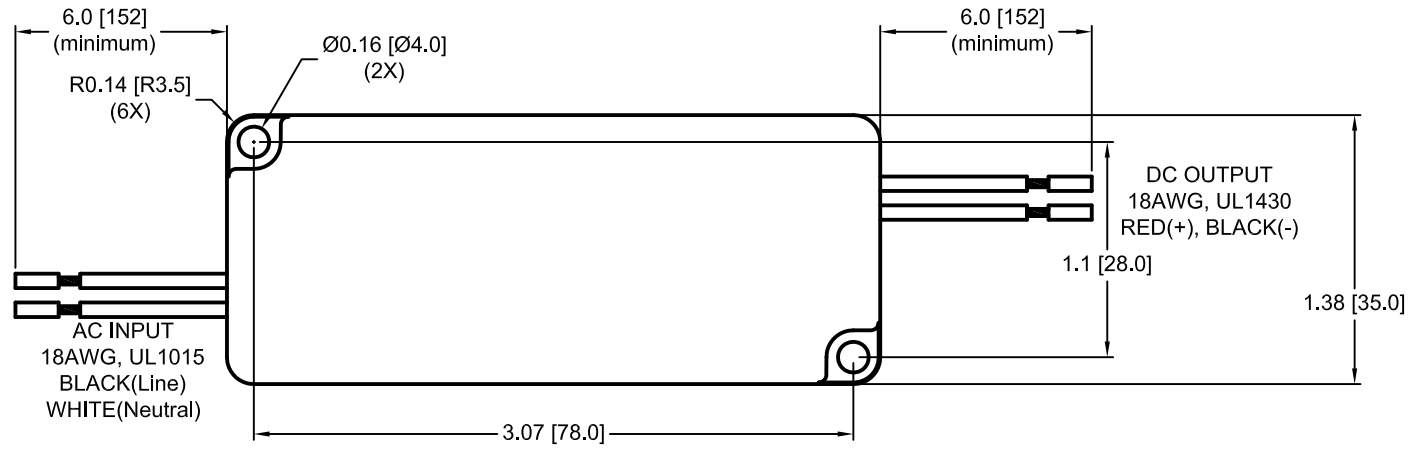


REVISIONS		
REV	DESCRIPTION	DATE
A0	RELEASE TO PRODUCTION	4/12/2012



This label is only for 20-4604. Similar information is required for all other parts.

SAFETY STANDARDS COMPLIANCE:
UL1310, CLASS 2
LVD EN61347-2-13
UL8750, LED DRIVER

EMI STANDARDS:
FCC 47 CFR PART 15 CLASS B
CE EN55015, EN61547
EN61000-4-2,3,4,5,6,8,11

SAFETY CERTIFICATIONS
UL, cUL E326521
EMI PENDING
FCC PENDING
CE-SCHEME DK-26826-UL
CE-EMC PENDING
IP PENDING

SAFETY

INPUT RANGE:
100 - 277 VAC, 0.2 A @ FULL LOAD (for 12V, 24V & 36V).
100 - 277 VAC, 0.22 A @ FULL LOAD (for 18V).

FREQUENCY: 47 ~ 63 Hz.

EFFICIENCY: 80 % Typ. **PF:** >0.9, 110~230Vac@70%load

PEAK INRUSH: Surge Immunity (IEC61000-4-5): >4KVAC
10 AMPS @ 115V AC
20 AMPS @ 230V AC

INPUT

LOAD CAPACITY: 12 WATTS

OUTPUT	MIN	MAX	LOAD REG	Ripple/Noise
see table 1	see table 1	see table 1	see table 1	±10%

OUTPUT

COOLING: CONVECTION

NOISE LEVEL: 24 dB max

RELIABILITY (MTBF): (MIL-HDBK-217F)
50,000 HRS. @ 25 DEG. C @ FULL LOAD

ENVIRONMENTAL CONDITIONS:
OPERATING TEMPERATURE: -40 ~ 50°C
RELATIVE HUMIDITY: 5 ~ 95%
LOCATION: DRY AND DAMP USE ONLY

CONNECTOR:

PROTECTION:
OCP,SCP,OTP
AUTO-RECOVERY

MISCELLANEOUS

Table 1

P/N	Rev	MODEL #	Output Voltage	Output Current	Constant
20-4610	A	LP1013-12-C1000	8~12V	1000mA +/- 5%	Current
20-4607	A	LP1013-18-C0700	9~18V	700mA +/- 5%	Current
20-4611	A	LP1013-24-C0600	12~24V	500mA +/- 5%	Current
20-4608	A	LP1013-36-C0350	18~36V	350mA +/- 5%	Current
20-4609	A	LP1013-12	12V +/- 5%	100~1000mA	Voltage
20-4613	A	LP1013-18	18V +/- 5%	70~700mA	Voltage
20-4614	A	LP1013-24	24V +/- 5%	50~500mA	Voltage
20-4615	A	LP1013-36	36V +/- 5%	35~350mA	Voltage
20-4604	A	LP1013-24-C0350	12~24V	350mA +/- 5%	Current
20-4606	A	LP1013-12-C0700	8~12V	700mA +/- 5%	Current
20-4616	A	LP1013-36-C0220	18~36V	220mA +/- 5%	Current

MANUFACTURED BY: Manufactured by HIGH PERFECTION TECHNOLOGY

THIS ITEM IS THE PROPERTY OF MAGTECH INDUSTRIES AND CONTAINS PROPRIETARY CONFIDENTIAL AND TRADE SECRET INFORMATION. THE INFORMATION CONTAINED HEREIN MUST NOT BE USED, DISCLOSED OR REPRODUCED IN WHOLE OR IN PART WITHOUT PRIOR WRITTEN CONSENT FROM MAGTECH, INC.

UNLESS OTHERWISE SPECIFIED DIMENSIONS IN INCHES [MM] TOLERANCES: .X DECIMALS± .05 [1.3] .XX DECIMALS± .02 [0.5] .XXX DECIMALS± .005 [0.13] ANGLES± 1° FRACTIONS± 1/16	QC:	
	TITLE: LP1013 SERIES	
DO NOT SCALE THIS DRAWING	APPROVAL DATE: 07/11/2012	MODEL NO. LP1013
INTERPRET DRAWING PER ANSI Y14.5M	EFFECTIVE DATE: 4/12/2012	DWG NO. PFD-0062
		REV. A0 SH OF 1 1

Notes:
Magtech provides 3 years warranty (standard)