

REVISIONS		
REV	DESCRIPTION	DATE
A0	RELEASE TO PRODUCTION	6/30/2010

SAFETY STANDARDS COMPLIANCE:
 UL1310, CLASS 2
 LVD EN 60950
 UL48

EMI STANDARDS:
 FCC 47 CFR PART 15 CLASS B
 CE EN55022, EN55011 CLASS B
 EN61000-4-2,3,4,5,6,8,11

SAFETY CERTIFICATIONS
 CUL E234571
 UL E234571
 CE FV561623
 CE EC561623
 CUL E249377
 UL E249377

LVD EN61347 95-0146-3
 EMC EN55015, EN61000,
 EN61547 06-09-MAS-130-03

INPUT RANGE: AC 115/230V, Auto Switch.
 100 - 240 VAC, 0.5 A @ FULL LOAD.
 277 - 277 VAC, 0.13 A @ FULL LOAD.

FREQUENCY: 47 - 63 Hz. **POWER FACTOR:** > 0.92

EFFICIENCY: 85 % Typ. **LEAKAGE CURRENT:**

PEAK INRUSH: < 0.25mA @ 115VAC
 10 AMPS @ 115V AC
 20 AMPS @ 230V AC

LOAD CAPACITY: 25 WATTS

OUTPUT	MIN	MAX	LOAD REG
900mA	12.0 VOLTS	24.0 VOLTS	+5%/-5%

COOLING: CONVECTION

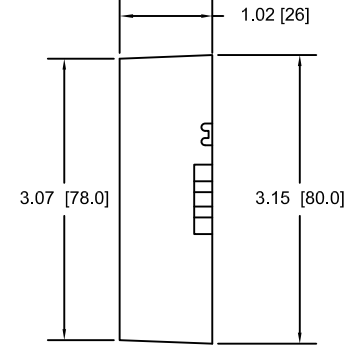
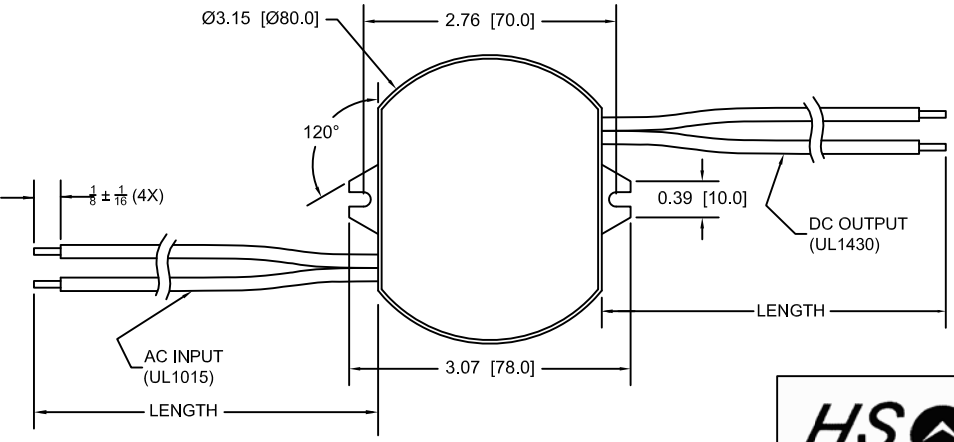
NOISE LEVEL: 0 dB

RELIABILITY (MTBF): (MIL-HDBK-217E)
 100,000 HRS. @ 25 DEG. C @ FULL LOAD

ENVIRONMENTAL CONDITIONS:
 OPERATING TEMPERATURE: -30 ~ 70°C
 RELATIVE HUMIDITY: 5 ~ 95%
 LOCATION: DRY OR DAMP

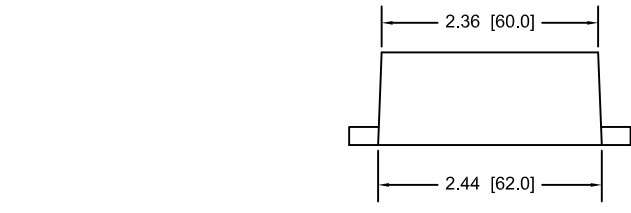
CONNECTOR:

PROTECTION:
 OCP,SCP
 AUTO-RECOVERY



NON STANDARD WIRE COLOR & LENGTH

CON	PIN	COLOR	OUTPUT	AWG	LENGTH
AC	-	BLACK	LINE	18	9.0 [229]
IN	-	WHITE	NEUTRAL	18	±1.0 [±25]
DC	-	RED	+V	18	6.0 [152]
OUT	-	BLACK	GND	18	+0.5 [+13] -0.0 [-0]



H/S HIGH PERFECTION TECH.
 CLASS 2 POWER SUPPLY
 www.highperfection.com.tw

MODEL: LP1025-24-C0900
PART NO: SE2075-00

AC INPUT: 100~240Vac / 0.5A
 277Vac / 0.125A, 47~63Hz

DC OUTPUT: 900mA / 12~24V
 MAX. 25 WATTS

CE
 FC
 C US E249377
 IP66

AC-Dimm®

AC INPUT	rev A	DC OUTPUT
L -- BLACK		+ -- RED
N -- WHITE		- -- BLACK

S/N.: 0601SAMPLE MADE IN TAIWAN

Light Engine is: LEDENGINE ACULUX L2091-



MANUFACTURED BY: HIGH PERFECTION TECHNOLOGY CO., LTD.

NOTES:
 TEMP DE-RATING 1% PER °C FROM 60°C TO 70°C
 MAGTECH PROVIDES 5 YEARS WARRANTY @ 85°C

THIS ITEM IS THE PROPERTY OF MAGTECH INDUSTRIES AND CONTAINS PROPRIETARY CONFIDENTIAL AND TRADE SECRET INFORMATION. THE INFORMATION CONTAINED HEREIN MUST NOT BE USED, DISCLOSED OR REPRODUCED IN WHOLE OR IN PART WITHOUT PRIOR WRITTEN CONSENT FROM MAGTECH IND.			
UNLESS OTHERWISE SPECIFIED	APPROVAL DATE	7/16/2010	
DIMENSIONS IN INCHES (MM)	EFFECTIVE DATE	6/30/2010	
TOLERANCES: .X DECIMALS± .05 [1.3] .XX DECIMALS± .02 [0.5] .XXX DECIMALS± .005 [0.13] ANGLES± 1° FRACTIONS± 1/16	CHECKED BY		
DO NOT SCALE THIS DRAWING	APPROVED BY		
INTERPRET DRAWING PER ANSI Y14.5M			
TITLE: LP1025-24-C0900, CN-0197, 277VAC, 900mA, AC DIMM			
MODEL NO. LP1025-24-C0900	DWG NO. M20-4126	REV. A0	SH OF 1 1