

REVISIONS		
REV	DESCRIPTION	DATE
B0	CHANGED PER ECN 10-026, 10-029, 10-030	9/3/2010
A0	RELEASE TO PRODUCTION	5/6/2010

SAFETY CERTIFICATIONS

SAFETY STANDARDS COMPLIANCE:

EMI STANDARDS:
 FCC 47 CFR PART 15 CLASS B
 , EN55011 CLASS B

INPUT

INPUT RANGE: AC 115/230V, Auto Switch.
 100 – 240 VAC, 0.5 A @ FULL LOAD.
 277 – 277 VAC, 0.13 A @ FULL LOAD.

FREQUENCY: 47 – 63 Hz.
 EFFICIENCY: 85 % Typ. LEAKAGE CL

PEAK INRUSH:
 10 AMPS @ 115V AC
 20 AMPS @ 230V AC

OUTPUT

LOAD CAPACITY: 25 WATTS

OUTPUT	MIN	MAX	LOAD REG
700mA	18.0 VOLTS	36.0 VOLTS	+5%/-5%

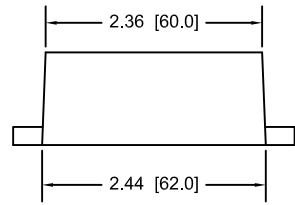
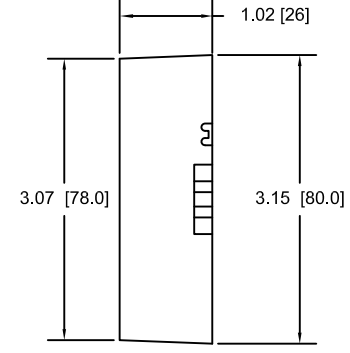
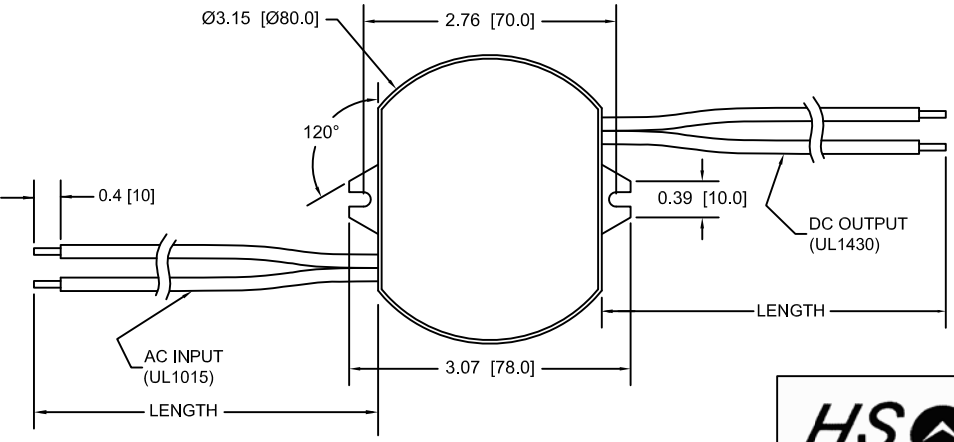
MISCELLANEOUS

COOLING: CONVECTION
 NOISE LEVEL: 0 dB

RELIABILITY (MTBF): (MIL-HDBK-217E)
 100,000 HRS. @ 25 DEG. C @ FULL LOAD

ENVIRONMENTAL CONDITIONS:
 OPERATING TEMPERATURE: -30 ~ 70°C
 RELATIVE HUMIDITY: 5 ~ 95%
 LOCATION: DRY OR DAMP

CONNECTOR:



NON STANDARD WIRE COLOR

CON	PIN	COLOR	OUTPUT	AWG	LENGTH
AC IN	—	BLACK	LINE	18	6.0 [152]
	—	WHITE	NEUTRAL	18	+0.5 [+13]
DC OUT	—	PURPLE	+V	18	-0.0 [-0]
	—	BLUE	GND	18	

H/S HIGH PERFECTION TECH.
 CLASS 2 POWER SUPPLY
 www.highperfection.com.tw

MODEL: LP1025-36-C0700
 PART NO: 601-0662

AC INPUT: 100~240Vac / 0.5A
 277Vac / 0.125A, 47~63Hz

DC OUTPUT: 700mA / 18~36V
 MAX. 25 WATTS

AC-Dimm™

AC INPUT
 L -- BLACK
 N -- WHITE

rev B

DC OUTPUT
 + -- PURPLE
 - -- BLUE

CE
 FC
 C US
 E249377
 IP66

S/N.: 0601SAMPLE
 MADE IN TAIWAN

Light Engine: P/N 657-0019



MANUFACTURED BY: HIGH PERFECTION TECHNOLOGY CO., LTD.

THIS ITEM IS THE PROPERTY OF MAGTECH INDUSTRIES AND CONTAINS PROPRIETARY CONFIDENTIAL AND TRADE SECRET INFORMATION. THE INFORMATION CONTAINED HEREIN MUST NOT BE USED, DISCLOSED OR REPRODUCED IN WHOLE OR IN PART WITHOUT PRIOR WRITTEN CONSENT FROM MAGTECH IND.

UNLESS OTHERWISE SPECIFIED	
DIMENSIONS IN INCHES (MM)	APPROVAL DATE 9/30/2010
TOLERANCES: .X DECIMALS± .05 [1.3] .XX DECIMALS± .02 [0.5] .XXX DECIMALS± .005 [0.13] ANGLES± 1° FRACTIONS± 1/16	EFFECTIVE DATE 9/3/2010
DO NOT SCALE THIS DRAWING	CHECKED BY
INTERPRET DRAWING PER ANSI Y14.5M	APPROVED BY

MAGTECH

TITLE:
 LP1025-36-C0700, CN-0214, 277VAC, 700mA, AC DIMM, 5YR

MODEL NO. LP1025-36-C0700	DWG NO. M20-4118	REV. B0	SH OF 1 1
------------------------------	---------------------	---------	--------------

NOTES:
 TEMP DE-RATING 1% PER °C FROM 60°C TO 70°C
 ADD LABEL TO CARTON BOX: SEE DETAILS DWG 77-0110
 MAGTECH PROVIDES 5 YEARS WARRANTY