

Lumination™ LED Luminaires

LRX Round Series
LED Downlights



Project name _____

Date _____

Type _____

Product Description:

The Lumination LRX Series LED downlights are the ideal retrofit or new construction solution for traditional downlight fixtures. They install in just minutes into most 4-inch, 6-inch, and 8-inch rough-in frames and bring a fresh look to the space. Unlike plug-in LED lamps, the LRX downlight gives you a new power supply and 50,000 hour life rating, so that you won't have to worry about compatibility or maintenance issues with the original ballasts. All downlights in the LRX family have 120-277V input and a uniform lit appearance, delivering premium performance in an economical package.

Performance Summary:

Nominal Lumens	650	1000	1800	3000
Delivered Lumens (8" Shown - 6" reduce 5%)	750	1200	2000	3300
System Input Power (W)	8.5	13	22	35
System Efficacy (LPW)	88	92	91	94

Input Voltage: 120 - 277V

Standard Dimming Controls: 0-10V down to 10%

CCT: 3000K, 3500K, 4000K

CRI: 82

Lifetime Rating: L85 @ 50,000 Hours

Input Frequency (Hz): 50/60Hz

Power Factor: >0.9

Mounting Options: Spring clips clamp on to existing frame or directly to ceiling

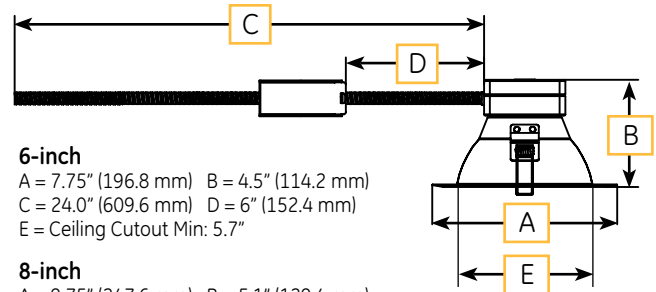
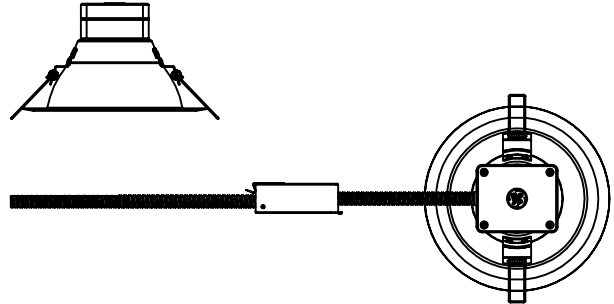
Weight: 0.6 lb

IC Rating: Non-IC Rated

Limited Warranty: 5 years system

Files Available: LM79, LM80, IES

Product Dimensions:



(see picture in BOX)
lines for dimension E

Listings:  • UL and cUL Listed.
• Suitable for wet locations



a product of
ecomagination™

Ordering Information:

FAMILY	SHAPE/SIZE	LUMENS	CRI	CCT	DIMMING	OPTIONS
LRX = Indoor	R6 = Retrofit Downlight 6" Round Rated for New Construction	10 = 1000 lm/650 lm ¹ 18 = 1800 lm	8 = 80 CRI	30 = 3000K 35 = 3500K 40 = 4000K	MD = 0-10V Dimming	(blank) = None EL = EMBB Ready ⁴ 4. Must order "EL" option + LRXEMBBKIT (sold separately) for complete EMBB solution
	R8 = Retrofit Downlight 8" Round Rated for New Construction	10 = 1000 lm/650 lm ¹ 18 = 1800 lm 30 = 3000 lm				

Notes:
1. 1000lm models feature a selectable lumen package to allow field adjustments to light output. See page 2 for further info.

current
powered by GE

Photometric Data: Lumination™ LRX Series Downlights

Accessories:

PRODUCT DESCRIPTION	CATALOG #	SKU	NOTES
347V KIT	LRX347V277	93036250	347V TRANSFORMER QUICK CONNECT KIT
6" WHITE PAINTED GOOF RING	GRR6RPTWT	93018829	RECOMMENDED FOR OVER-SIZED HOLES IN CEILING
8" WHITE PAINTED GOOF RING	GRR8RPTWT	93018831	RECOMMENDED FOR OVER-SIZED HOLES IN CEILING
6" NEW CONSTRUCTION FRAME KIT	FRAME6R	93025091	RECOMMENDED FOR NEW CONSTRUCTION APPLICATIONS
8" NEW CONSTRUCTION FRAME KIT	FRAME8R	93025092	RECOMMENDED FOR NEW CONSTRUCTION APPLICATIONS
DAINTREE CONTROLS KIT	LCACBAVQTUNGALV	93038296	SEE DAINTREE ACCESSORY KIT LITERATURE & INSTALL MANUAL
ORGANIC RESPONSE CONTROLS KIT	LCACBAVQRUNGALV	93029452	SEE ORGANIC RESPONSE ACCESSORY KIT LITERATURE & INSTALL MANUAL
ENLIGHTED CONTROLS KIT	LCACBAVQNUNGALV	93029451	SEE ENLIGHTED ACCESSORY KIT LITERATURE & INSTALL MANUAL
EMERGENCY BATTERY BACKUP KIT (7W)	LRXEMBBKIT07	93043031	7 WATT EMBB QUICK CONNECT KIT (MUST HAVE FIXTURE WITH "EL" OPTION)
EMERGENCY BATTERY BACKUP KIT (10W)	LRXEMBBKIT10	93043540	10 WATT EMBB QUICK CONNECT KIT (MUST HAVE FIXTURE WITH "EL" OPTION)

Selectable Driver Package:

The LRX Series comes with a new Selectable Driver Package which allows customers to manually switch from full power (1000lm) to lower power (650lm) with just the switch of a button. This affords unprecedented flexibility for distributors to stock fewer SKUs. Reduces install risk by effectively having 2 lumen levels in 1 simple package.



*This feature is only available in the 1000/650lm package.

Product Specifications:

Construction:

- 16 gauge Aluminum spinning reflector housing, powder coating
- Custom engineered heat sink flange for passive cooling on all lumen options

Installation:

- Fixture mounting to an existing metal frame
- Conduit connect to quick-disconnect for easy installation

Optical System:

- Custom engineered reflectors for wide distributions.
- Semi-diffuse diffuser for ideal combination of optical efficiency and uniformity

Electrical System:

- High Efficiency, integrated driver with 0-10V dimming
- Selectable Lumen Driver available in the 1000/650lm package.

For more information and access to all of our resources, including our design tool visit: www.gelighting.com

Photometric Data: Lumination™ LRX Series Downlights

LRXR610830MD

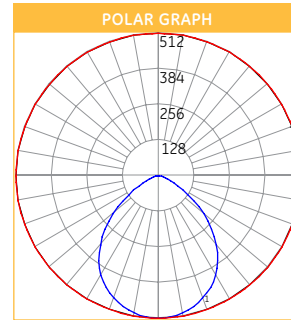
ZONAL LUMEN SUMMARY	
Zone	Lumens
0-10°	48.26
10-20°	135.99
20-30°	199.14
30-40°	221.96
40-50°	188.12
50-60°	118.95
60-70°	54.04
70-80°	25.47
80-90°	7.78
90-100°	0.06
100-110°	0.02
110-120°	0.03
120-130°	0.03
130-140°	0.04
140-150°	0.05
150-160°	0.05
160-170°	0.03
170-180°	0.01

COEFFICIENTS OF UTILIZATION																					
RC	80%				70%				50%				30%				10%				0%
	RW	70%	50%	30%	10%	70%	50%	30%	10%	50%	30%	10%	50%	30%	10%	50%	30%	10%	0%		
0	119	119	119	119	116	116	116	116	111	111	111	106	106	106	102	102	102	100	100		
1	111	107	104	100	108	105	102	99	101	98	96	97	95	93	94	92	90	88	88		
2	103	96	90	85	100	94	89	85	91	86	83	87	84	81	85	82	79	77	77		
3	95	86	79	74	93	85	78	73	82	76	72	79	75	71	77	73	69	68	68		
4	88	78	70	64	86	76	69	64	74	68	63	72	67	62	70	65	62	60	60		
5	82	70	63	57	80	69	62	57	67	61	56	66	60	55	64	59	55	53	53		
6	76	64	56	51	74	63	56	50	62	55	50	60	54	50	59	53	49	47	47		
7	71	59	51	45	69	58	51	45	57	50	45	55	49	45	54	48	44	43	43		
8	66	54	46	41	65	53	46	41	52	45	41	51	45	40	50	44	40	39	39		
9	62	50	42	37	61	49	42	37	48	42	37	47	41	37	46	41	37	35	35		
10	59	46	39	34	57	46	39	34	45	38	34	44	38	34	43	38	34	32	32		

NOTE: Floor Cavity Reflectance : 20%

ZONAL LUMEN SUMMARY		
Zone	Lumens	% of Fixture
0-20°	184.25	18.40
0-30°	383.39	38.30
0-40°	605.34	60.50
0-60°	912.41	91.20
0-80°	991.92	99.20
0-90°	999.70	100.00

LUMINANCE DATA (CANDELA/m²)			
Gamma	0°	45°	90°
45°	17519	17519	17519
55°	11682	11682	11682
65°	6286	6286	6286
75°	4723	4723	4723
85°	4000	4000	4000



LRXR818830MD

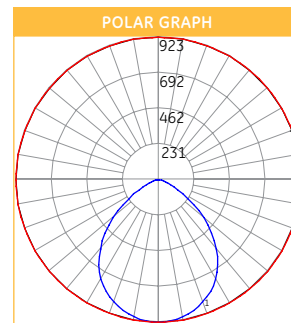
ZONAL LUMEN SUMMARY	
Zone	Lumens
0-10°	87.00
10-20°	245.00
20-30°	357.94
30-40°	405.72
40-50°	355.72
50-60°	213.19
60-70°	84.35
70-80°	37.58
80-90°	10.61
90-100°	0.07
100-110°	0.14
110-120°	0.29
120-130°	0.44
130-140°	0.54
140-150°	0.55
150-160°	0.48
160-170°	0.31
170-180°	0.10

COEFFICIENTS OF UTILIZATION																					
RC	80%				70%				50%				30%				10%				0%
	RW	70%	50%	30%	10%	70%	50%	30%	10%	50%	30%	10%	50%	30%	10%	50%	30%	10%	0%		
0	119	119	119	119	116	116	116	116	111	111	111	106	106	106	102	102	102	100	100		
1	111	107	104	101	108	105	102	99	101	98	96	97	95	93	94	92	90	88	88		
2	103	96	91	86	101	94	89	85	91	87	83	88	84	81	85	82	79	78	78		
3	95	87	80	74	93	85	79	74	82	77	72	80	75	71	77	73	70	68	68		
4	88	78	71	65	86	77	70	65	75	68	64	72	67	63	70	66	62	60	60		
5	82	71	63	57	80	70	63	57	68	61	56	66	60	56	64	59	55	53	53		
6	76	65	57	51	75	64	56	51	62	55	50	60	54	50	59	54	50	48	48		
7	71	59	51	46	70	58	51	46	57	50	45	56	50	45	54	49	45	43	43		
8	67	54	47	41	65	54	46	41	52	46	41	51	45	41	50	45	41	39	39		
9	62	50	43	38	61	50	42	38	49	42	37	47	41	37	47	41	37	35	35		
10	59	47	39	34	57	46	39	34	45	39	34	44	38	34	43	38	34	32	32		

NOTE: Floor Cavity Reflectance : 20%

ZONAL LUMEN SUMMARY		
Zone	Lumens	% of Fixture
0-20°	332.00	18.40
0-30°	689.94	38.30
0-40°	1095.66	60.90
0-60°	1664.57	92.50
0-80°	1786.51	99.20
0-90°	1797.12	99.80

LUMINANCE DATA (CANDELA/m²)			
Gamma	0°	45°	90°
45°	8251	8251	8251
55°	4433	4433	4433
65°	1645	1645	1645
75°	827	827	827
85°	263	263	263



www.currentbyge.com

All trademarks are the property of their respective owners. Information provided is subject to change without notice. All values are design or typical values when measured under laboratory conditions. Current, powered by GE is a business of the General Electric Company.
© 2017 GE.

IND288 (Rev 03/17/17)