



CUSTOMER NAME \_\_\_\_\_

Project Name \_\_\_\_\_

Date \_\_\_\_\_ Type \_\_\_\_\_

Catalog Number \_\_\_\_\_

## Flex Series

### Recessed Canless Downlight

The **Flex Downlight Series** is designed to satisfy a wide range of general illumination applications up to 4600 lumens. Available in 4", 6", and 8" apertures with selectable lumen and CCT for easy changes at installation. The integral 120–277V driver provides 0–10V and ELV/Triac phase dimming making it ideal for a wide range of applications

## CONSTRUCTION

<b>Reflector:</b>	Spun aluminum
<b>Lens:</b>	Diffuse Polycarbonate
<b>Paint:</b>	Powder coat white
<b>Weights:</b>	Up to 1.8 lbs (0.82 kg)
<b>Optical Assembly:</b>	Custom engineered reflectors for wide distribution

## OPTICAL SYSTEM

<b>Lumens:</b>	Selectable, 750–4600 lm See ordering logic below
<b>Distribution:</b>	Very Wide (90°) with 1.1 Spacing Criteria
<b>Efficacy:</b>	Up to 106 LPW
<b>CCT:</b>	Selectable 2700K/3000K/ <b>3500K</b> /4000K/5000K <i><b>Bold</b> indicates switch default</i>
<b>CRI:</b>	90 CRI

## ELECTRICAL

<b>Input Voltage:</b>	120–277V
<b>Input Frequency:</b>	50/60Hz
<b>Power Factor (PF)*:</b>	PF>0.9
<b>Total Harmonic Distortion (THD)*:</b>	<20%

\* PF and THD may vary with options

## CONTROLS

**Dimming:** Multi-Dim 0–10V to 5% and ELV/Triac Phase Dimming to 10%

## AMBIENT TEMPERATURE

TYPE	TEMPERATURE RATE
Operating Temperature	25° C

## LUMEN MAINTENANCE

<b>L80 &gt; 54,000 hrs</b>
<b>L70 &gt; 54,000 hrs</b>

## MOUNTING

- New construction, Remodel, and Retrofit
- Install from below
- Optional frame kits for new construction

## DESIGN LIFE & WARRANTY

- ETL Listed, 4" model IC rated; 6" and 8" models are Non-IC; Air-tight rated, JA-8 (4" only)
- **Current's Limited 5-year Warranty:** Please see website.



### Ordering Information Module

<u>LRX</u>	<u>--</u>	<u>X</u>	<u>9</u>	<u>SW</u>	<u>EL</u>	
FAMILY	SHAPE/SIZE	LUMENS <sup>1</sup>	CRI	CCT	DIMMING	OPTIONS
LRX = Lumination® Flex Downlight	R4 = 4" Round Downlight	<b>1X</b> = 750/1100/ <b>1500</b>	9 = 90	<b>SW</b> = Selectable CCT (2700K/3000K/ <b>3500K</b> /4000K/5000K)	Standard with Multi-Dim 0-10V to 1% and ELV/Triac Phase Dimming to 5%	<b>EL</b> = Emergency Ready <sup>2</sup> EL is standard offering, refer to wiring diagrams in <a href="#">installation instructions</a> for details.
	R6 = 6" Round Downlight	<b>2X</b> = 1100/1500/ <b>2500</b>				
	R8 = 8" Round Downlight	<b>4X</b> = 3000/4000/ <b>4600</b>				

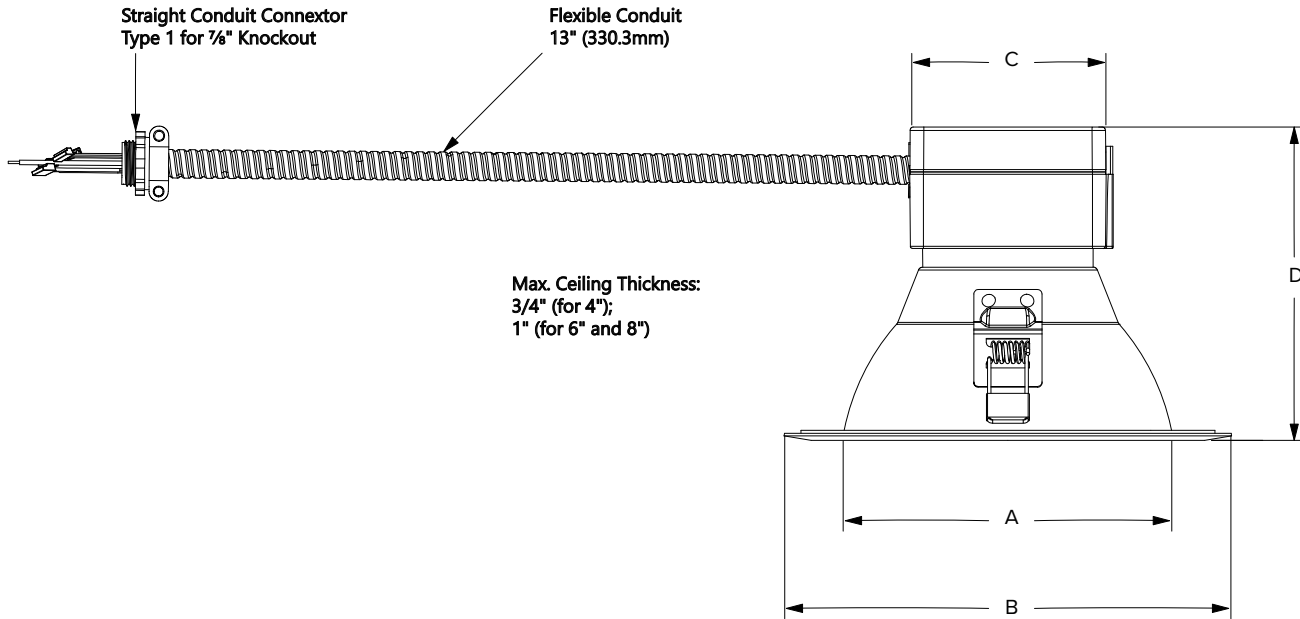
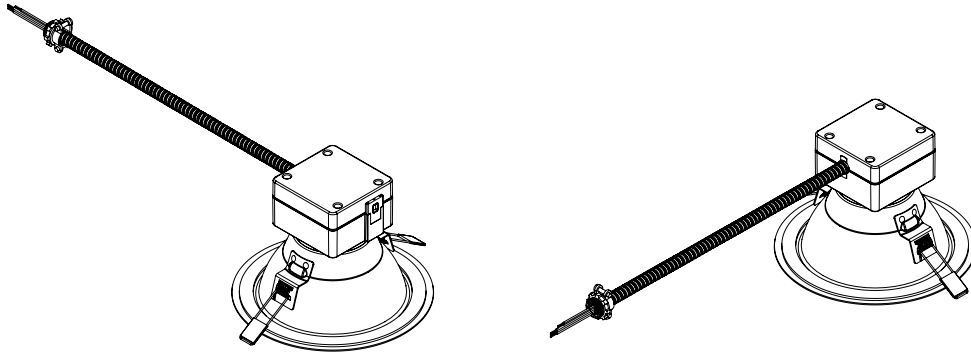
**Notes:**

1. Default settings are in **BOLD**.

### ACCESSORIES

All Accessories are ordered separately

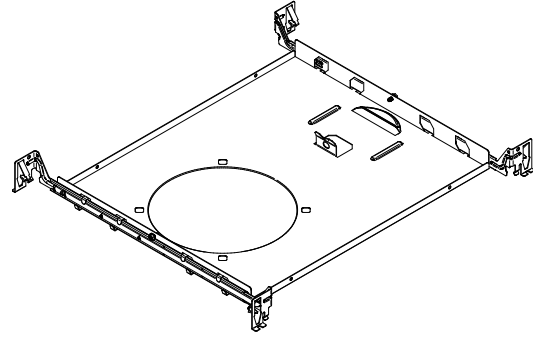
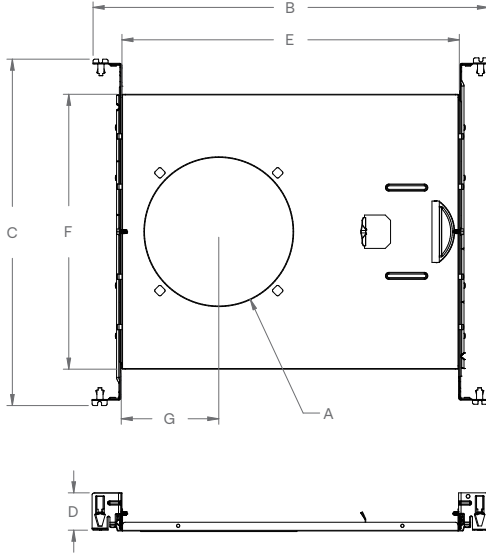
CATALOG STRING	PRODUCT DESCRIPTION	NOTES
<b>FRAME KITS</b>		
FRAME4R-HB	Frame Kit, New Construction, 4" Round	Includes Bar Hangers
FRAME6R-HB	Frame Kit, New Construction, 6" Round	Includes Bar Hangers
FRAME4S-HB	Frame Kit, New Construction, 4" Square	Includes Bar Hangers
FRAME6S-HB	Frame Kit, New Construction, 6" Square	Includes Bar Hangers
FRAME8-HB	Frame Kit, New Construction, 8" Round/Square	Includes Bar Hangers
<b>J-BOX</b>		
J-BOX	Snap -In Junction Box Assembly	For optional use with FRAME KITS listed above. (Ships separately.)
<b>EMERGENCY BATTERY BACKUP KITS</b>		
LDEMBBKIT	Emergency Battery Backup Kit, Remote Mount	J-BOX is already included as an integral part of this kit.
<b>COLOR TRIM RINGS</b>		
LRXTRIMR4WH	Trim Ring, Snap-In, 4" Round, White	Non-Conductive
LRXTRIMR4BL	Trim Ring, Snap-In, 4" Round, Black	Non-Conductive
LRXTRIMR4SV	Trim Ring, Snap-In, 4" Round, Silver	Non-Conductive
LRXTRIMR6WH	Trim Ring, Snap-In, 6" Round, White	Non-Conductive
LRXTRIMR6BL	Trim Ring, Snap-In, 6" Round, Black	Non-Conductive
LRXTRIMR6SV	Trim Ring, Snap-In, 6" Round, Silver	Non-Conductive
LRXTRIMR8WH	Trim Ring, Snap-In, 8" Round, White	Non-Conductive
LRXTRIMR8BL	Trim Ring, Snap-In, 8" Round, Black	Non-Conductive
LRXTRIMR8SV	Trim Ring, Snap-In, 8" Round, Silver	Non-Conductive

**LUMINATION® FLEX DOWNLIGHTS**


APERTURE	CEILING CUTOUT MIN.-MAX.
4"	4.7" ~ 5.0" (119.4mm ~ 127.0mm)
6"	6.0" ~ 6.7" (152.4mm ~ 170.2mm)
8"	7.8" ~ 8.8" (198.1mm ~ 223.5mm)

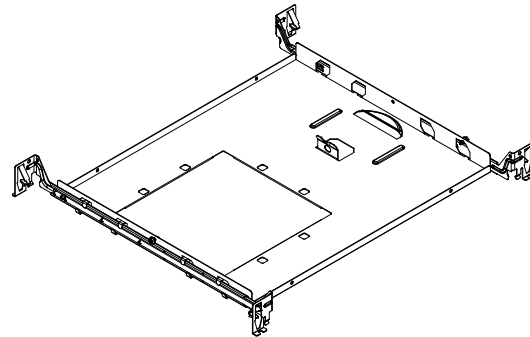
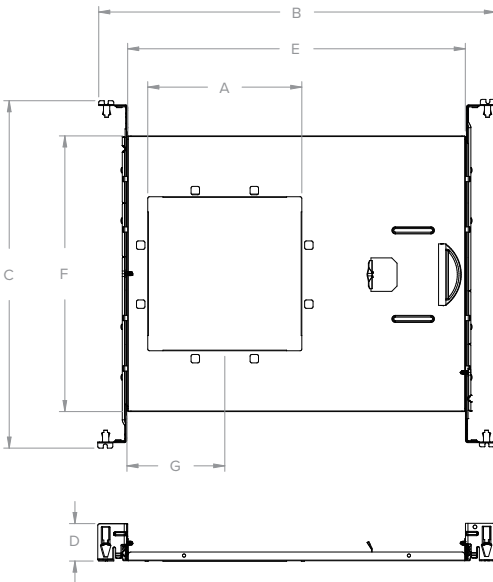
NOMINAL APERTURE	"A" APERTURE DIAMETER	"B" OVERALL TRIM DIAMETER	"C" OVERALL MODULE HEAT SINK	"D" OVERALL HEIGHT (ASSEMBLED)
4"	3.98" (101.2mm)	5.6" (142.3mm)	3.40" (86.4mm)	4.68" (118.8mm)
6"	5.59" (141.9mm)	7.75" (196.8mm)	3.40" (86.4mm)	5.43" (137.8mm)
8"	7.43" (188.6mm)	9.75" (247.6mm)	3.40" (86.4mm)	6.02" (152.8mm)

### 4" and 6" Round



CATALOG NUMBER	"A" APERTURE OPENING	"B" OVERALL LENGTH	"C" OVERALL WIDTH	"D" HEIGHT	"E" PAN LENGTH	"F" PAN WIDTH	"G" APERTURE CENTER
FRAME4R-HB	Ø 4.94" (125.5mm)	17.65" (448.3mm)	14.57" (370.1mm)	1.68" (42.7mm)	15.03" (381.8mm)	12.28" (311.9mm)	4.32" (109.7mm)
FRAME6R-HB	Ø 6.64" (168.7mm)						

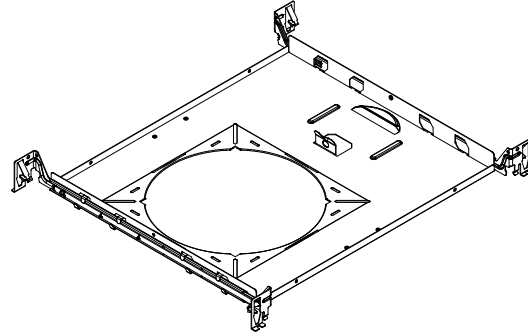
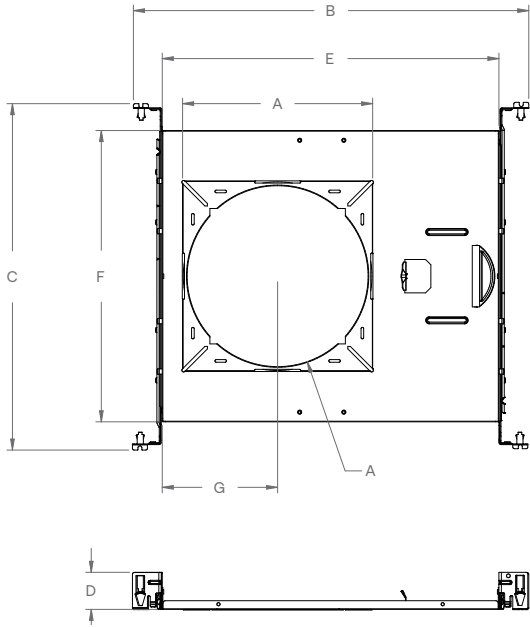
### 4" and 6" Square



CATALOG NUMBER	"A" APERTURE OPENING	"B" OVERALL LENGTH	"C" OVERALL WIDTH	"D" HEIGHT	"E" PAN LENGTH	"F" PAN WIDTH	"G" APERTURE CENTER
FRAME4S-HB	4.83" (122.7mm) SQ.	17.65" (448.3mm)	14.57" (370.1mm)	1.68" (42.7mm)	15.03" (381.8mm)	12.28" (311.9mm)	4.32" (109.7mm)
FRAME6S-HB	6.83" (173.5mm) SQ.						

ACCESSORY	DESCRIPTION	"A" DIAMETER
FRAME4R-HB	4" Round	4.94" (123.8mm)
FRAME6R-HB	6" Round	6.64" (168.3mm)
FRAME8-HB	8" Round	8.07" (205mm)

## 8" Round/Square



Note:  
The 8" Frame ships ready to accept round aperture trims but can be converted in the field for square aperture by snipping corners and bending at breakaway score lines.

CATALOG NUMBER	"A" APERTURE OPENING	"B" OVERALL LENGTH	"C" OVERALL WIDTH	"D" HEIGHT	"E" PAN LENGTH	"F" PAN WIDTH	"G" APERTURE CENTER
FRAME8-HB	Ø 8.07" (205mm) 8.46" (214.9mm) SQ.	17.65" (448.3mm)	14.57" (370.1mm)	1.68" (42.7mm)	15.03" (381.8mm)	12.99" (329.9mm)	5.14" (130.6mm)

**PERFORMANCE TABLE**

NOMINAL APERTURE	SWITCHABLE LUMEN SETTING	NOMINAL LUMENS	CAT #	CCT	CRI	DELIVERED LUMENS	WATTS	LPW
4"	Low	850	LRXR41X9SW	27K	90	819	8.8W	94
				30K		831	8.8W	95
				35K		844	8.8W	96
				40K		857	8.8W	98
				50K		871	8.7W	100
	Med	1250		27K		1209	13.5W	89
				30K		1233	13.6W	91
				35K		1252	13.6W	92
				40K		1276	13.6W	94
				50K		1290	13.6W	95
	High	1650		27K		1581	18.8W	84
				30K		1612	18.8W	86
				35K		1639	18.9W	87
				40K		1668	18.9W	88
				50K		1705	19.1W	89
6"	Low	1400	LRXR62X9SW	27K	1405	14.4W	98	
				30K	1426	14.4W	99	
				35K	1451	14.4W	101	
				40K	1479	14.4W	103	
				50K	1512	14.3W	105	
	Med	1750		27K	1755	18.6W	94	
				30K	1787	18.6W	96	
				35K	1819	18.7W	98	
				40K	1855	18.7W	99	
				50K	1898	18.7W	101	
	High	2700		27K	2637	30.8W	86	
				30K	2682	30.7W	87	
				35K	2720	30.7W	89	
				40K	2765	30.7W	90	
				50K	2773	30.8W	90	
8"	Low	3300	LRXR84X9SW	27K	3414	31.4W	109	
				30K	3428	31.3W	110	
				35K	3457	31.2W	111	
				40K	3475	31.2W	112	
				50K	3496	31.1W	113	
	Med	4300		27K	4364	42.7W	102	
				30K	4408	42.8W	103	
				35K	4456	42.9W	104	
				40K	4526	43.1W	105	
				50K	4560	43.2W	106	
	High	4800		27K	4746	47.8W	99	
				30K	4776	47.7W	100	
				35K	4805	47.5W	101	
				40K	4829	47.4W	102	
				50K	4901	48.1W	102	

### Photometric Data

#### 4" Round

**3000K**

1500 LM

Selectable

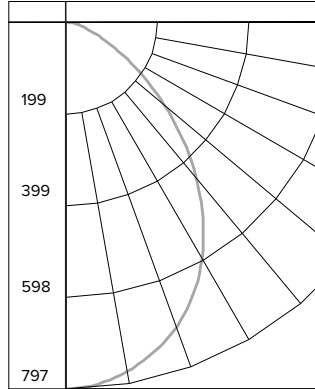
LRXR41X9SW

Beam Angle: 90°

Spacing Criterion: 1:14

#### ZONAL LUMEN SUMMARY

Zone	Lumens	% Luminaire
0-40	914	59.4
0-60	1383	89.9
0-90	1539	100.0
0-180	1539	100.0



#### CANDELA DISTRIBUTION

Degree	Candela
0	797
5	790
15	744
25	657
35	522
45	362
55	208
65	94
75	42
85	10

#### LUMINANCE DATA\*

Vertical Angle	Average
45°	63029
55°	44731
65°	27368
75°	19860
85°	14525

\*Candela/Square Meter

#### 6" Round

**3000K**

2500 LM

Selectable

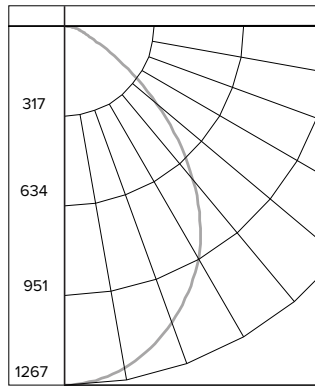
LRXR62X9SW

Beam Angle: 90°

Spacing Criterion: 1:14

#### ZONAL LUMEN SUMMARY

Zone	Lumens	% Luminaire
0-40	1464	60.9
0-60	2194	91.3
0-90	2403	100.0
0-180	2403	100.0



#### CANDELA DISTRIBUTION

Degree	Candela
0	1267
5	1255
15	1178
25	1037
35	840
45	571
55	298
65	117
75	58
85	15

#### LUMINANCE DATA\*

Vertical Angle	Average
45°	44257
55°	28493
65°	15117
75°	12283
85°	9402

\*Candela/Square Meter

#### 8" Round

**3000K**

4600 LM

Selectable

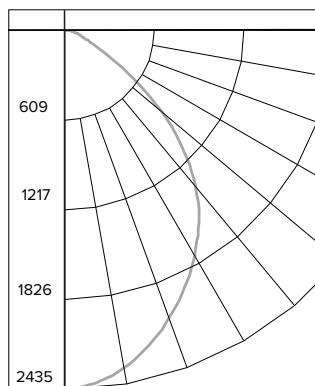
LRXR84X9SW

Beam Angle: 90°

Spacing Criterion: 1:12

#### ZONAL LUMEN SUMMARY

Zone	Lumens	% Luminaire
0-40	2753	60.8
0-60	4189	92.5
0-90	4527	100
0-180	4527	100



#### CANDELA DISTRIBUTION

Degree	Candela
0	2435
5	2407
15	2222
25	1940
35	1608
45	1156
55	600
65	198
75	92
85	24

#### LUMINANCE DATA\*

Vertical Angle	Average
45°	50384
55°	32245
65°	14448
75°	10910
85°	8482

\*Candela/Square Meter

## Dimmer Compatibility List

### Important Notice

Because dimming equipment, applications, and conditions of use are many, varied, and beyond Current's control, this information necessarily is based on limited samples sizes and testing. This list only included dimmers that have been tested with the Current's luminaires listed. There may be other dimmers on the market that are compatible with these Current's luminaires. If you have a question about a particular dimmer that is not on the list, please contact Current to see if the model has been tested, or to arrange testing.

1. Adjust the dimmer to the lowest setting.
2. Locate the trim adjustment and set to the lowest light level where the light output is stable.
3. Turn fixture off and on to ensure proper operation. If it is not operating as expected, adjust the trim up slightly and retest.

DIMMER TYPE	DIMMER MANUFACTURER	DIMMER SERIES/MODELS
0-10V	Current	PSD0108-UNV
	Current	RSD710
	Leviton	IP710
	Lutron	NTSTV-DV
	Lutron	DVSTV
	Lutron	DVTV
	Synergy	ISD BC 120/277
	Cooper	SF10P-W
	Enerlites	51300L
	Eaton	DF10P-C1
Triac	Lutron	CTCL-153P-WH
	Lutron	S2-LH
	Lutron	DV-600P
	Lutron	DV-603P-LA
	Lutron	CT-603P(R)-WH
	Lutron	DVCL-153P
	Legrand	HCL453PTCCCV6
	Synergy/Leviton	ISD 600   120 / IPI06
	Leviton	6633-PA
	Leviton	6631-PLW
	Leviton	6613-PLA
Lutron	NLV-600-WH	
ELV	Current	RSDE06
	Lutron	DVELV-300P-AL
	Lutron	NTELV-300-WH
	Lutron	SELV-300P
	Insteon	2477D
	Lutron	PD-5NE