



CUSTOMER NAME _____

Project Name _____

Date _____ Type _____

Catalog Number _____

Flex Series

Recessed Canless Downlight

The **Flex Downlight Series** is designed to satisfy a wide range of general illumination applications up to 4600 lumens. Available in 4", 6", and 8" apertures with selectable lumen and CCT for easy changes at installation. The integral 120–277V driver provides 0–10V and ELV/Triac phase dimming making it ideal for a wide range of applications

CONSTRUCTION

Reflector:	Spun aluminum
Lens:	Diffuse Polycarbonate
Paint:	Powder coat white
Weights:	Up to 1.8 lbs (0.82 kg)
Optical Assembly:	Custom engineered reflectors for wide distribution

OPTICAL SYSTEM

Lumens:	Selectable, 750–4600 lm See ordering logic below
Distribution:	Very Wide (90°) with 1.1 Spacing Criteria
Efficacy:	Up to 106 LPW
CCT:	Selectable 2700K/3000K/ 3500K /4000K/5000K <i>Bold indicates switch default</i>
CRI:	90 CRI

ELECTRICAL

Input Voltage:	120–277V
Input Frequency:	50/60Hz
Power Factor (PF)*:	PF>0.9
Total Harmonic Distortion (THD)*:	<20%

* PF and THD may vary with options

CONTROLS

Dimming: Multi-Dim 0–10V to 5% and ELV/Triac Phase Dimming to 10%

AMBIENT TEMPERATURE

TYPE	TEMPERATURE RATE
Operating Temperature	25° C

LUMEN MAINTENANCE

L80 > 54,000 hrs
L70 > 54,000 hrs

MOUNTING

- New construction, Remodel, and Retrofit
- Install from below
- Optional frame kits for new construction

DESIGN LIFE & WARRANTY

- ETL Listed, 4" model IC rated; 6" and 8" models are Non-IC; Air-tight rated, JA-8 (4" only)
- **Current's Limited 5-year Warranty:** Please see website.



Ordering Information Module

<u>LRX</u>	<u>--</u>	<u>X</u>	<u>9</u>	<u>SW</u>	<u>EL</u>	
FAMILY	SHAPE/SIZE	LUMENS ¹	CRI	CCT	DIMMING	OPTIONS
LRX = Lumination® Flex Downlight	R4 = 4" Round Downlight	1X = 750/1100/ 1500	9 = 90	SW = Selectable CCT (2700K/3000K/ 3500K /4000K/5000K)	Standard with Multi-Dim 0-10V to 1% and ELV/Triac Phase Dimming to 5%	EL = Emergency Ready ² EL is standard offering, refer to wiring diagrams in installation instructions for details.
	R6 = 6" Round Downlight	2X = 1100/1500/ 2500				
	R8 = 8" Round Downlight	4X = 3000/4000/ 4600				

Notes:

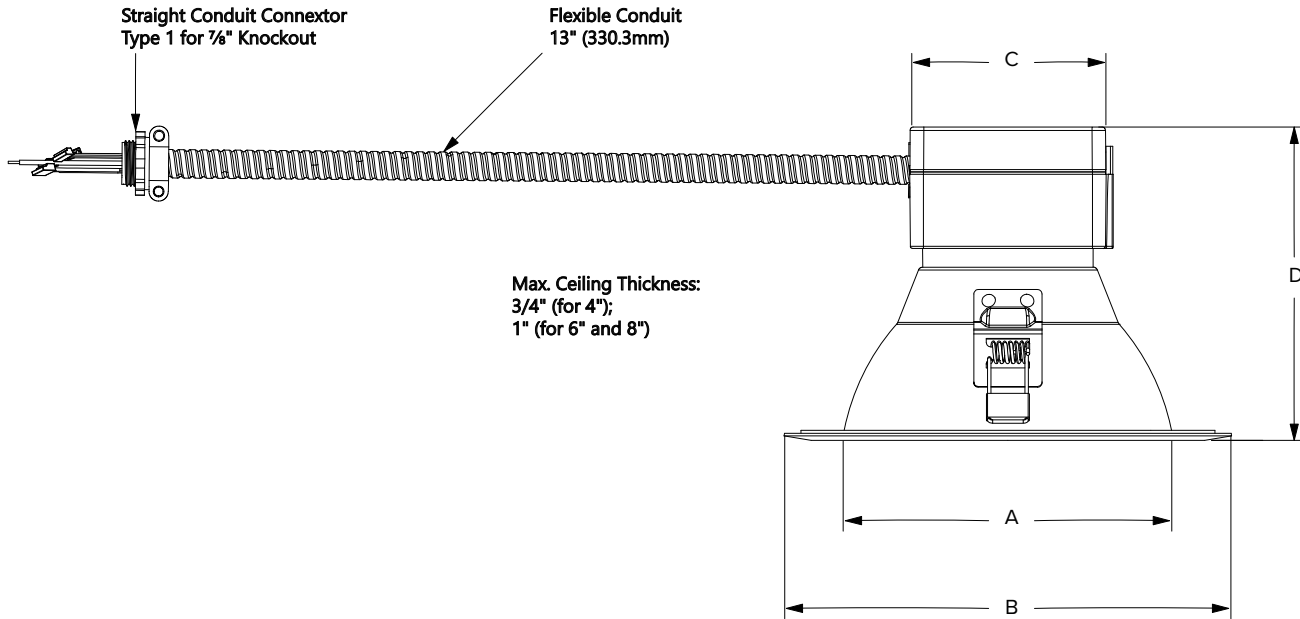
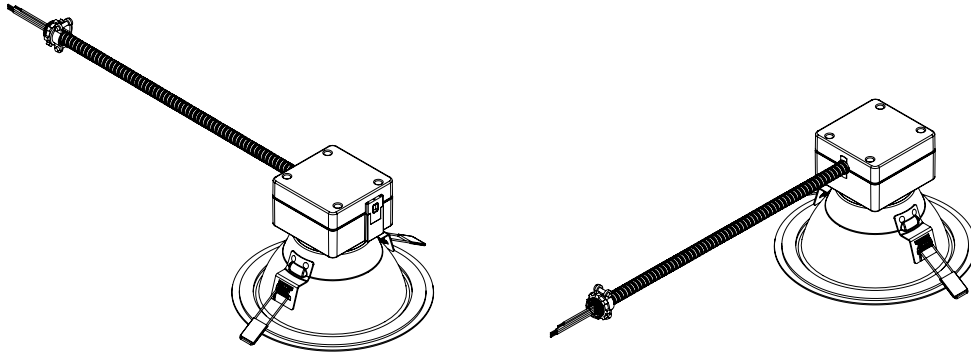
1. Default settings are in **BOLD**.

ACCESSORIES

All Accessories are ordered separately

CATALOG STRING	PRODUCT DESCRIPTION	NOTES
FRAME KITS		
FRAME4R-HB	Frame Kit, New Construction, 4" Round	Includes Bar Hangers
FRAME6R-HB	Frame Kit, New Construction, 6" Round	Includes Bar Hangers
FRAME4S-HB	Frame Kit, New Construction, 4" Square	Includes Bar Hangers
FRAME6S-HB	Frame Kit, New Construction, 6" Square	Includes Bar Hangers
FRAME8-HB	Frame Kit, New Construction, 8" Round/Square	Includes Bar Hangers
J-BOX		
J-BOX	Snap -In Junction Box Assembly	For optional use with FRAME KITS listed above. (Ships separately.)
EMERGENCY BATTERY BACKUP KITS		
LDEMBBKIT	Emergency Battery Backup Kit, Remote Mount	J-BOX is already included as an integral part of this kit.
COLOR TRIM RINGS		
LRXTRIMR4WH	Trim Ring, Snap-In, 4" Round, White	Non-Conductive
LRXTRIMR4BL	Trim Ring, Snap-In, 4" Round, Black	Non-Conductive
LRXTRIMR4SV	Trim Ring, Snap-In, 4" Round, Silver	Non-Conductive
LRXTRIMR6WH	Trim Ring, Snap-In, 6" Round, White	Non-Conductive
LRXTRIMR6BL	Trim Ring, Snap-In, 6" Round, Black	Non-Conductive
LRXTRIMR6SV	Trim Ring, Snap-In, 6" Round, Silver	Non-Conductive
LRXTRIMR8WH	Trim Ring, Snap-In, 8" Round, White	Non-Conductive
LRXTRIMR8BL	Trim Ring, Snap-In, 8" Round, Black	Non-Conductive
LRXTRIMR8SV	Trim Ring, Snap-In, 8" Round, Silver	Non-Conductive

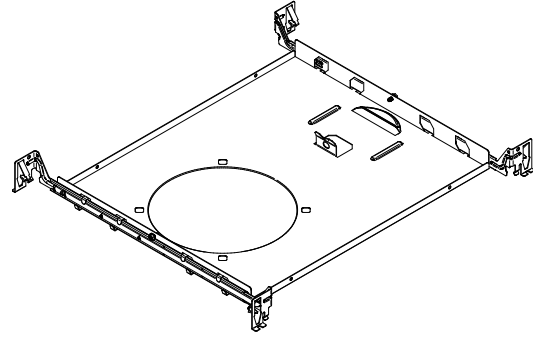
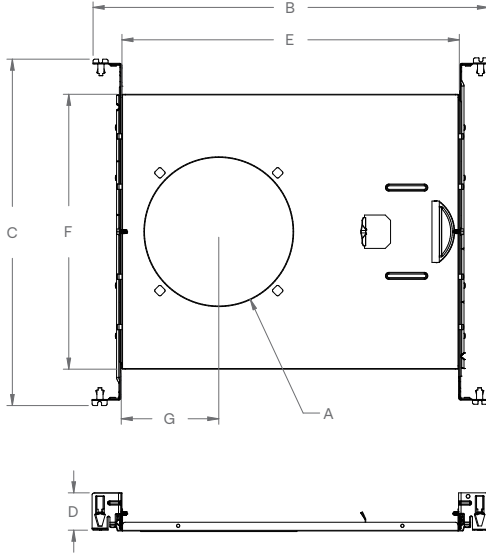
LUMINATION® FLEX DOWNLIGHTS



APERTURE	CEILING CUTOUT MIN.-MAX.
4"	4.7" ~ 5.0" (119.4mm ~ 127.0mm)
6"	6.0" ~ 6.7" (152.4mm ~ 170.2mm)
8"	7.8" ~ 8.8" (198.1mm ~ 223.5mm)

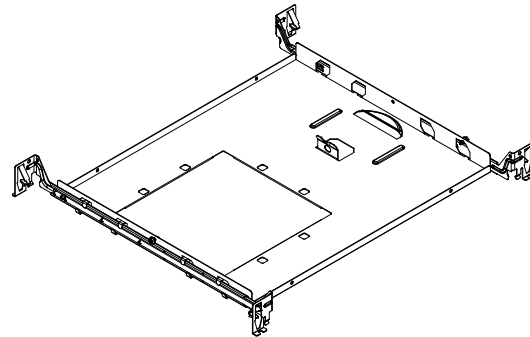
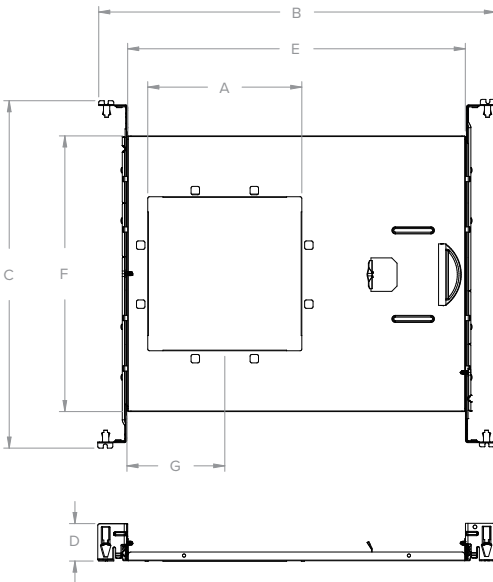
NOMINAL APERTURE	"A" APERTURE DIAMETER	"B" OVERALL TRIM DIAMETER	"C" OVERALL MODULE HEAT SINK	"D" OVERALL HEIGHT (ASSEMBLED)
4"	3.98" (101.2mm)	5.6" (142.3mm)	3.40" (86.4mm)	4.68" (118.8mm)
6"	5.59" (141.9mm)	7.75" (196.8mm)	3.40" (86.4mm)	5.43" (137.8mm)
8"	7.43" (188.6mm)	9.75" (247.6mm)	3.40" (86.4mm)	6.02" (152.8mm)

4" and 6" Round



CATALOG NUMBER	"A" APERTURE OPENING	"B" OVERALL LENGTH	"C" OVERALL WIDTH	"D" HEIGHT	"E" PAN LENGTH	"F" PAN WIDTH	"G" APERTURE CENTER
FRAME4R-HB	Ø 4.94" (125.5mm)	17.65" (448.3mm)	14.57" (370.1mm)	1.68" (42.7mm)	15.03" (381.8mm)	12.28" (311.9mm)	4.32" (109.7mm)
FRAME6R-HB	Ø 6.64" (168.7mm)						

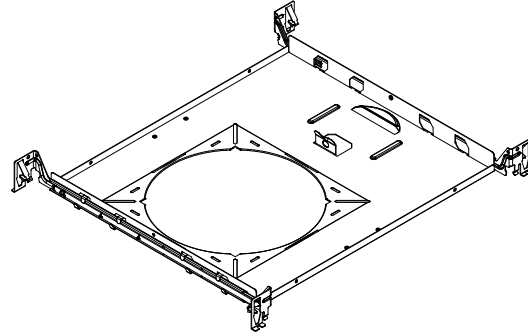
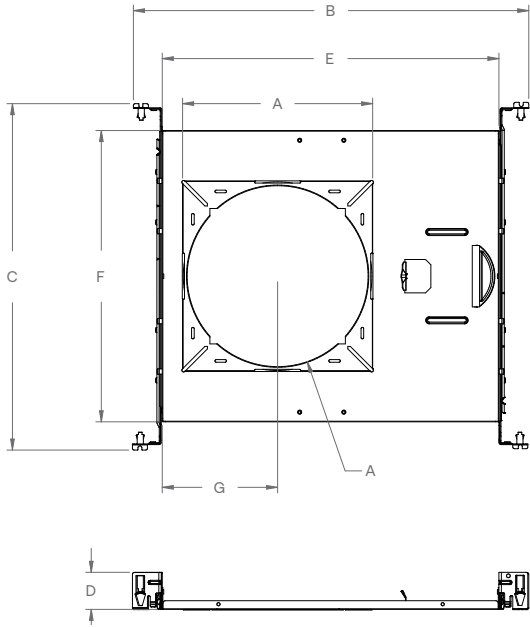
4" and 6" Square



CATALOG NUMBER	"A" APERTURE OPENING	"B" OVERALL LENGTH	"C" OVERALL WIDTH	"D" HEIGHT	"E" PAN LENGTH	"F" PAN WIDTH	"G" APERTURE CENTER
FRAME4S-HB	4.83" (122.7mm) SQ.	17.65" (448.3mm)	14.57" (370.1mm)	1.68" (42.7mm)	15.03" (381.8mm)	12.28" (311.9mm)	4.32" (109.7mm)
FRAME6S-HB	6.83" (173.5mm) SQ.						

ACCESSORY	DESCRIPTION	"A" DIAMETER
FRAME4R-HB	4" Round	4.94" (123.8mm)
FRAME6R-HB	6" Round	6.64" (168.3mm)
FRAME8-HB	8" Round	8.07" (205mm)

8" Round/Square



Note:
The 8" Frame ships ready to accept round aperture trims but can be converted in the field for square aperture by snipping corners and bending at breakaway score lines.

CATALOG NUMBER	"A" APERTURE OPENING	"B" OVERALL LENGTH	"C" OVERALL WIDTH	"D" HEIGHT	"E" PAN LENGTH	"F" PAN WIDTH	"G" APERTURE CENTER
FRAME8-HB	Ø 8.07" (205mm) 8.46" (214.9mm) SQ.	17.65" (448.3mm)	14.57" (370.1mm)	1.68" (42.7mm)	15.03" (381.8mm)	12.99" (329.9mm)	5.14" (130.6mm)

PERFORMANCE TABLE

NOMINAL APERTURE	SWITCHABLE LUMEN SETTING	NOMINAL LUMENS	CAT #	CCT	CRI	DELIVERED LUMENS	WATTS	LPW
4"	Low	850	LRXR41X9SW	27K	90	819	8.8W	94
				30K		831	8.8W	95
				35K		844	8.8W	96
				40K		857	8.8W	98
				50K		871	8.7W	100
	Med	27K		1250		1209	13.5W	89
		30K				1233	13.6W	91
		35K				1252	13.6W	92
		40K				1276	13.6W	94
		50K				1290	13.6W	95
	High	1650		27K		1581	18.8W	84
				30K		1612	18.8W	86
				35K		1639	18.9W	87
				40K		1668	18.9W	88
				50K		1705	19.1W	89
6"	Low	1400	LRXR62X9SW	27K	90	1405	14.4W	98
				30K		1426	14.4W	99
				35K		1451	14.4W	101
				40K		1479	14.4W	103
				50K		1512	14.3W	105
	Med	1750		27K		1755	18.6W	94
				30K		1787	18.6W	96
				35K		1819	18.7W	98
				40K		1855	18.7W	99
				50K		1898	18.7W	101
	High	2700		27K		2637	30.8W	86
				30K		2682	30.7W	87
				35K		2720	30.7W	89
				40K		2765	30.7W	90
				50K		2773	30.8W	90
8"	Low	3300	LRXR84X9SW	27K	90	3414	31.4W	109
				30K		3428	31.3W	110
				35K		3457	31.2W	111
				40K		3475	31.2W	112
				50K		3496	31.1W	113
	Med	4300		27K		4364	42.7W	102
				30K		4408	42.8W	103
				35K		4456	42.9W	104
				40K		4526	43.1W	105
				50K		4560	43.2W	106
	High	4800		27K		4746	47.8W	99
				30K		4776	47.7W	100
				35K		4805	47.5W	101
				40K		4829	47.4W	102
				50K		4901	48.1W	102

Photometric Data

4" Round

3000K

1500 LM

Selectable

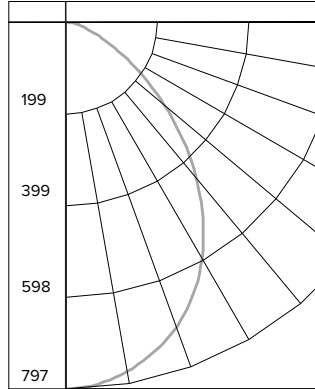
LRXR41X9SW

Beam Angle: 90°

Spacing Criterion: 1:14

ZONAL LUMEN SUMMARY

Zone	Lumens	% Luminaire
0-40	914	59.4
0-60	1383	89.9
0-90	1539	100.0
0-180	1539	100.0



CANDELA DISTRIBUTION

Degree	Candela
0	797
5	790
15	744
25	657
35	522
45	362
55	208
65	94
75	42
85	10

LUMINANCE DATA*

Vertical Angle	Average
45°	63029
55°	44731
65°	27368
75°	19860
85°	14525

*Candela/Square Meter

6" Round

3000K

2500 LM

Selectable

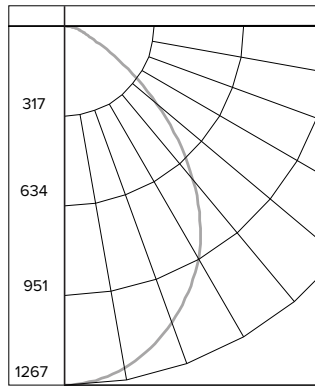
LRXR62X9SW

Beam Angle: 90°

Spacing Criterion: 1:14

ZONAL LUMEN SUMMARY

Zone	Lumens	% Luminaire
0-40	1464	60.9
0-60	2194	91.3
0-90	2403	100.0
0-180	2403	100.0



CANDELA DISTRIBUTION

Degree	Candela
0	1267
5	1255
15	1178
25	1037
35	840
45	571
55	298
65	117
75	58
85	15

LUMINANCE DATA*

Vertical Angle	Average
45°	44257
55°	28493
65°	15117
75°	12283
85°	9402

*Candela/Square Meter

8" Round

3000K

4600 LM

Selectable

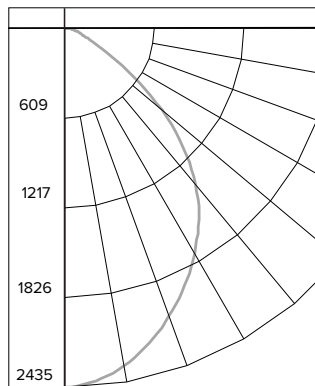
LRXR84X9SW

Beam Angle: 90°

Spacing Criterion: 1:12

ZONAL LUMEN SUMMARY

Zone	Lumens	% Luminaire
0-40	2753	60.8
0-60	4189	92.5
0-90	4527	100
0-180	4527	100



CANDELA DISTRIBUTION

Degree	Candela
0	2435
5	2407
15	2222
25	1940
35	1608
45	1156
55	600
65	198
75	92
85	24

LUMINANCE DATA*

Vertical Angle	Average
45°	50384
55°	32245
65°	14448
75°	10910
85°	8482

*Candela/Square Meter

Dimmer Compatibility List

Important Notice

Because dimming equipment, applications, and conditions of use are many, varied, and beyond Current's control, this information necessarily is based on limited samples sizes and testing. This list only included dimmers that have been tested with the Current's luminaires listed. There may be other dimmers on the market that are compatible with these Current's luminaires. If you have a question about a particular dimmer that is not on the list, please contact Current to see if the model has been tested, or to arrange testing.

1. Adjust the dimmer to the lowest setting.
2. Locate the trim adjustment and set to the lowest light level where the light output is stable.
3. Turn fixture off and on to ensure proper operation. If it is not operating as expected, adjust the trim up slightly and retest.

DIMMER TYPE	DIMMER MANUFACTURER	DIMMER SERIES/MODELS
0-10V	Current	PSD0108-UNV
	Current	RSD710
	Leviton	IP710
	Lutron	NTSTV-DV
	Lutron	DVSTV
	Lutron	DVTV
	Synergy	ISD BC 120/277
	Cooper	SF10P-W
	Enerlites	51300L
	Eaton	DF10P-C1
Triac	Lutron	CTCL-153P-WH
	Lutron	S2-LH
	Lutron	DV-600P
	Lutron	DV-603P-LA
	Lutron	CT-603P(R)-WH
	Lutron	DVCL-153P
	Legrand	HCL453PTCCCV6
	Synergy/Leviton	ISD 600 120 / IPI06
	Leviton	6633-PA
	Leviton	6631-PLW
	Leviton	6613-PLA
Lutron	NLV-600-WH	
ELV	Current	RSDE06
	Lutron	DVELV-300P-AL
	Lutron	NTELV-300-WH
	Lutron	SELV-300P
	Insteon	2477D
	Lutron	PD-5NE