

|          |      |
|----------|------|
| Project  |      |
| Notes    |      |
| Type     | Date |
| Cat. No. |      |

## LT-CD™ BTEZ Series

## Volumetric LED Troffer Field Adjustable

### DESCRIPTION

The Aleo LT-CD™ BTEZ Series LED Field Adjustable Troffer delivers industry-leading Versatility with deep energy savings and continuous dimming. The precision-formed diffuser produces comfortable and pleasant illumination, enhancing productive spaces in various applications.

### APPLICATIONS

Provides architectural aesthetics for retail, schools, offices, healthcare, and other various commercial applications.



LT-CD Series

2x4 45W Max.  
2x2 35W Max.

### Specification Features



### Construction

Simple construction with minimal parts allows for easy handling and installation. Low profile design optimizes shipping, storage, and handling. Luminaire features matte white durable finish. Integral T-Bar clips built into luminaire. Diffuser requires no additional frame or fastener for easy installation.

### Optical System

Reflector systems features highly reflective coating and delivers balanced, comfortable illuminance for productive spaces. Diffuser lens reduces glare and improves occupant comfort while maintaining high efficiency emission.

### Certification

UL Listed. All components have UL certification. UL Class 2. Driver: SCP, OTP, OVP protection, FCC Part 15 Class B, UL8750 Class 2.

### Warranty

7-year Limited Warranty. See warranty documentation for more information.

### Electrical

Luminaire utilizes high-efficacy LED packages maintained at cool temperatures for long life, high efficacy. Reliable driver features continuous dimming. Universal voltage (120-277V) for convenient installation. Comes equipped with luminaire quick-disconnect.

### Field-Adjustable CCT / Wattage

Increased versatility and reduced inventory burden. Wattage and Color Temp. can be adjusted in the field by using SimpliBlue app to set CCT / lumen level.

### Installation / Mounting

Installs in most standard T-Bar ceiling grid systems. Flange kit available for hard-lid/drywall applications

### Controls / Dimming

Continuous dimming (0-10V) comes standard. Integrated with daylight harvesting PIR sensor to achieve deeper energy-savings and code compliance.

Rated Life 75,000 hours  
Limited Warranty 7-years  
Efficacy Up to 134 LPW  
Continuous Dimming



### Quick Ship

LT-CD-24-UXL-45/8CT G5 ECO/OSDL/BTEZ  
LT-CD-22-UXL-35/8CT G5 ECO/OSDL/BTEZ

## Ordering Information

Example: LT-CD-24-UXL-45/8CT G5 ECO/OSDL/BTEZ

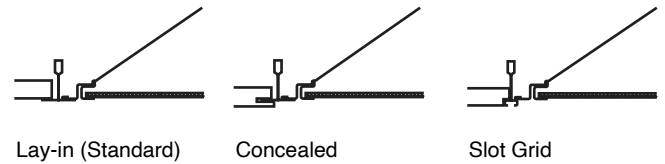
| LT-CD  | 24   | UXL  | 45   | 8   | CT  | [Blank]  | [Blank]   |
|--|--|--|--|---|---|--|---|
| <b>Series</b><br>LT-CD<br>Volumetric LED<br>Troffer - Center<br>Diffuser | <b>Form Factor</b><br>24 2'x4'<br>22 2'x2' | <b>Lumen Package</b><br>UXL Field Adjustable | <b>Nominal Max Wattage</b><br>2'x4'<br>45 45W Max.<br>2'x2'<br>35 35W Max.<br><small>* Utilize SimpliBlue App to adjust.</small> | <b>CRI</b><br>8 83+                                     | <b>Color Temp</b><br>CT Field Adjust.<br>3000K<br>3500K<br>4000K<br>5000K<br><small>* Utilize SimpliBlue App to adjust.</small> | <b>Input Voltage</b><br>Blank<br>120V-277V         | <b>Dimming</b><br>Blank<br>0-10V<br>Continuous<br>Dimming |
| <b>OSDL/BTEZ</b>   |  |  |  |   |   |  |   |
| <b>Controls</b><br>OSDL/BTEZ SimpliBlue Occupancy Sensor                 |  |  |  | <b>Emergency Backup</b><br>EM700 700lm<br>EM1400 1400lm |   | <b>BAA Option</b><br>BAA Buy America Act Compliant |   |

Performance Summary

|                                |                               |
|--------------------------------|-------------------------------|
| Input Voltage                  | 120V-277V                     |
| Input Frequency                | 50/60 Hz                      |
| Rated Wattage                  | See Performance Table         |
| Delivered Lumens               | See Performance Table         |
| Efficacy                       | > 134 LPW (typ.)              |
| CRI                            | 82+, R9 > 0                   |
| Field Adjustable CCT           | 3000K / 3500K / 4000K / 5000K |
| Color Consistency <sup>2</sup> | 5-step MacAdam Ellipse        |
| Rated Life                     | 75,000 hours                  |
| L70 <sup>3</sup>               | > 72,000 hours                |
| Power Factor                   | > 0.9                         |
| THD                            | < 20%                         |
| Dimming                        | 0-10V Continuous (0-100%)     |
| Operating Temp.                | -20°C to 50°C                 |



Mounting Information



\* Fits 9/16, 15/16 and SS T-bar grid.  
Flange kit available upon request

Performance Data

| Form Factor | Catalog No.                          | Rated Wattage (W) | 3000K                 |                 | 3500K                 |                 | 4000K                 |                 | 5000K                 |                 |
|-------------|--------------------------------------|-------------------|-----------------------|-----------------|-----------------------|-----------------|-----------------------|-----------------|-----------------------|-----------------|
|             |                                      |                   | Delivered Lumens (lm) | Efficacy (lm/W) | Delivered Lumens (lm) | Efficacy (lm/W) | Delivered Lumens (lm) | Efficacy (lm/W) | Delivered Lumens (lm) | Efficacy (lm/W) |
| 2' x 4'     | LT-CD-24-UXL-45/8CT G5 ECO/OSDL/BTEZ | 45                | 5895                  | 131             | 6030                  | 134             | 6030                  | 134             | 5940                  | 132             |
| 2' x 2'     | LT-CD-22-UXL-35/8CT G5 ECO/OSDL/BTEZ | 35                | 4375                  | 125             | 4515                  | 129             | 4550                  | 130             | 4410                  | 126             |

Wireless Networked Lighting Controls (NLC) - Luminaire-Level



Integrated PIR Sensor with wireless Bluetooth Mesh. Use SimplBlue app to commission and set CCT / lumen level.

SimplBlue Bluetooth Wireless Controls

Luminaire Integrated

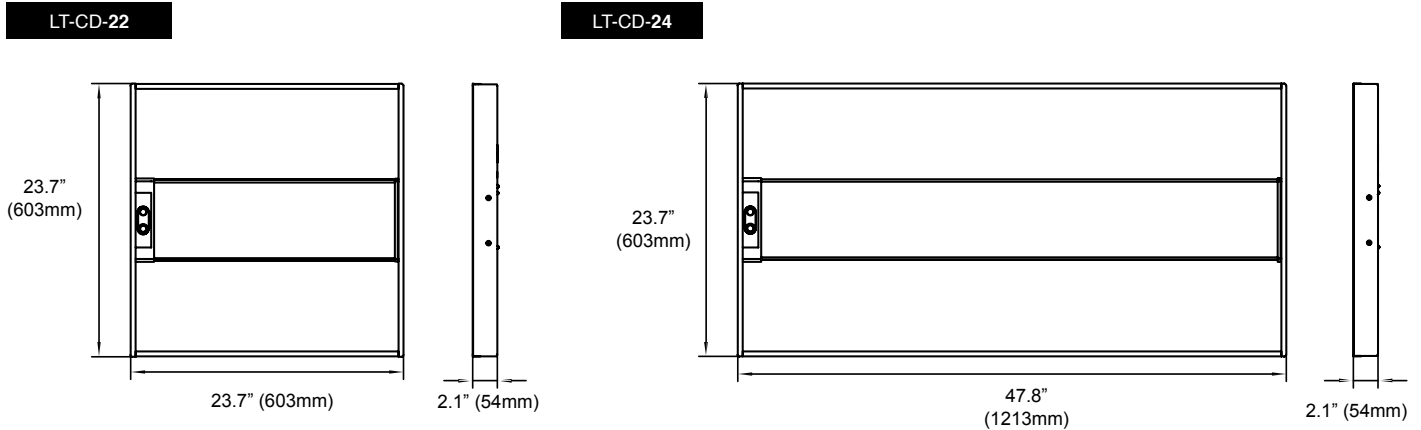


[www.aeolighting.com/simplblue](http://www.aeolighting.com/simplblue)

NOTES:

- <sup>1</sup> Quick ship: 4000K. Other CCTs may require a lead time or be special order
- <sup>2</sup> Typical color consistency. May vary or be changed.
- <sup>3</sup> L70 hours calculated based on LED package manufacturer LM80 report and ISTMT report of LED in luminaire. Stated values are for select catalog numbers.

Product Dimensions



Field-Adjustable Wattage & CCT



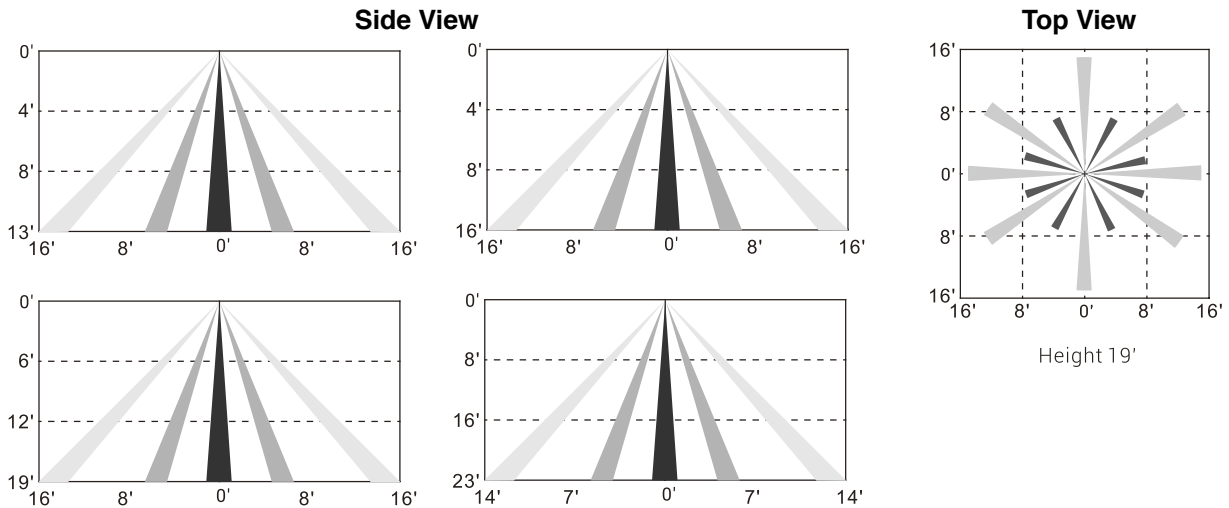
Integrated PIR Sensor with wireless Bluetooth Mesh. Use SimplBlue app to commission and set CCT / lumen level.

SimplBlue Bluetooth Wireless Controls  
Luminaire Integrated



[www.aleoighting.com/simplblue](http://www.aleoighting.com/simplblue)

Occupancy Sensor Detection Pattern



DLC QPL Data



| QPL Model No.                        | Product ID | Technical Req. | Classification | Primary Use   |
|--------------------------------------|------------|----------------|----------------|---|
| LT-CD-24-UXL-45/8CT G5 ECO/OSDL/BTEZ | S-CHDZN1   | 5.1            | Premium        | 2x4 Luminaires for Ambient Lighting of Interior Commercial Spaces |
| LT-CD-22-UXL-35/8CT G5 ECO/OSDL/BTEZ | S-2WH48C   | 5.1            | Premium        | 2x2 Luminaires for Ambient Lighting of Interior Commercial Spaces |

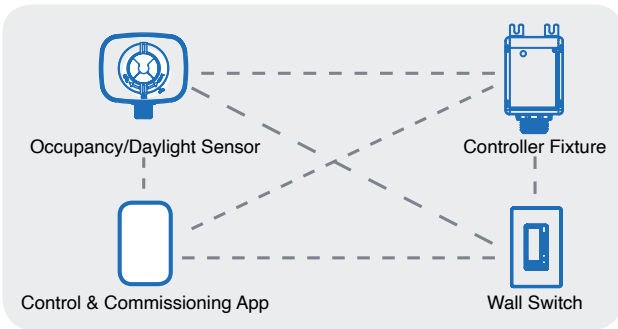
A Simple and Cost-Effective Localized Networked Lighting Control System Using Bluetooth Mesh.



**SimplBlue Wireless Bluetooth Controls**

SimplBlue Lighting Controls offers a complete gateway-free wireless system to control lights in a wide variety of applications. The system includes wireless fixture controllers, switches, and occupancy/daylight harvesting sensors all using Bluetooth® wireless technology. In addition to the system devices we also offer a fixture mounted controller and sensor with Bluetooth® technology providing wireless communication and occupancy/daylight harvesting control in one device. Each device has its own address for sending, receiving and sharing control commands through a wireless network. Expandability is easy with each device passing information to the next thus expanding the reach and control throughout the network.

Download the Commissioning App



Download the SimplBlue Commissioning App Instructions



**SimplBlue Lighting Controls Commissioning & Control App**

- For iOS or Android smartphone
- Commissioning: Switch on-off, Dimming,
- Color tuning/ Circadian Rhythms (Must work with corresponding drivers and led fixtures)
- Flexible zoning/ Scenarios setting/ Scheduling
- Wireless wall switch linkage setting
- Occupancy sensor setting, Daylight harvesting, Photocell control
- Admin control authority sharing with QR code

**System Functionality**

- Networking of luminaires
- Individual Addressability
- Occupancy sensing
- Daylight Harvesting/Photocell Control
- High-end Trimming
- Flexible Zoning
- Continuous Dimming

