

LED Driver Type	Constant Voltage (Class2)
Maximum Wattage	10 Watts
Input Voltage	120 VAC ± 10% Dedicated
Input Frequency	50/60Hz

APPROVALS:

- UL 879, UL8750
 recognized component
 - EN6100 -3 -2



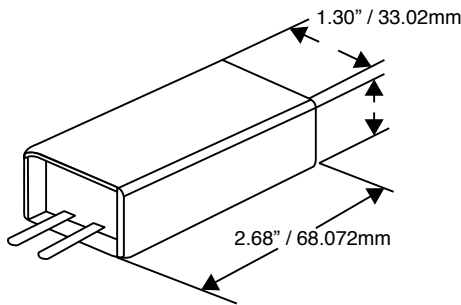
ELECTRICAL SPECIFICATIONS

Watts	Hatch Part Number	Input Voltage	Input Power	Power Factor	Input Current 120/277V	Output Voltage	Output Current	Efficiency	Case Style
Dedicated Models									
10	LV10-12N-120-A	120 VAC	13W	>0.50	0.22A	12 VDC	0.83A	80%	A
	LV10-24N-120-A	120 VAC	13W	>0.50	0.22A	24 VDC	0.42A	80%	A

PRODUCT FEATURES :

- Protection: Short circuit and overload protection
- EMC: Meets FCC 47CFR Part 15 Class B
- Type 1 Outdoor, suitable for dry and damp locations (IP20)
- Withstanding Voltage: I/P – O/P 2kVAC
- Temperature Range: -30° - 60°C

CASE DIMENSIONS & MECHANICAL SPECIFICATIONS:



CASE STYLE

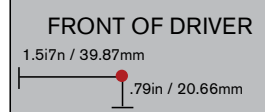
A - Metal Casing

Wiring Information

Input : 12", UL 1316#18AWG (Black and White)

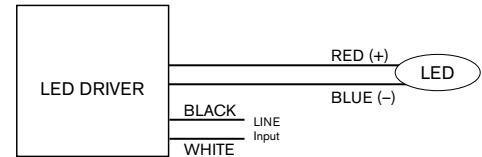
Output : 12", UL 1316#18AWG (Red and Blue)

Tc Point Location Max. T c Point Temp.: 90°C



RED
 BLUE
 WHITE
 BLACK
 DC Output

WIRING DIAGRAM:



Packaging Information

Weight : 3.52oz
 Quantity : 100pcs/carton