

6/25/2012

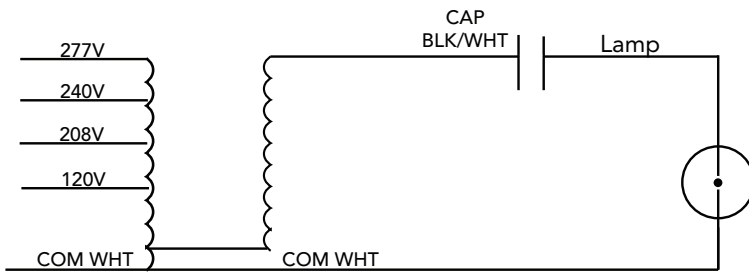
**1000 Watt M47 60Hz
Metal Halide**

Project:	
Catalog#:	
Approved by:	

Input Volts (60 Hz)	120	208	240	277
Input Watts	1106	1106	1085	1085
Approx. Line Current (Amps)*	9.3	5.3	4.6	4.0
Circuit Type	CWA			
ANSI	M47			
Insulation Class	Class H			
Power Factor	> 90%			
Regulation	Line Volts: ±10% Lamp Watts: ±10%			
Min. Ambient Starting Temp.	-20°F/-30°C			
High Potential Test (Volts)	1 Minute: 2000 1 Second: 2400			
Lead Lengths (inches)	12			
UL Temperature Ratings*	1029C			
Capacitor	24.0/480V min			

* See Ballast Label for exact values and additional information

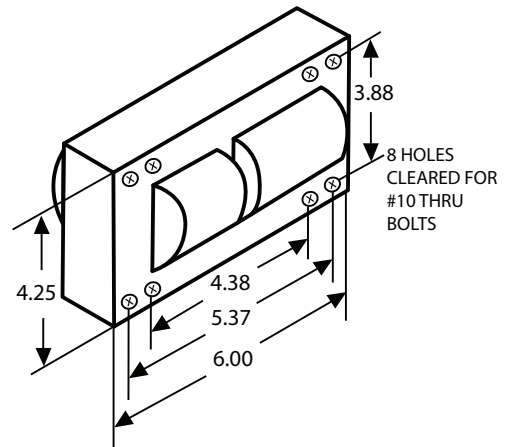
WIRING DIAGRAM



HID Ballast Kit

- Ballast
- Capacitor
- Mounting Bracket

DIMENSIONAL DRAWING



High Intensity Discharge Ballasts