

20-5130 A

REV	DESCRIPTION	DATE
A0	RELEASE TO PRODUCTION	03/10/2016

SAFETY STANDARDS COMPLIANCE:
UL8750
UL1310

LVD EN61347-2-13
EMI STANDARDS:
FCC 47 CFR PART 15 CLASS B
CE EN55015, EN61547
EN61000-4-2,3,4,5,6,8,11

SAFETY CERTIFICATIONS
UL, cUL E357847
LVD EFSN14081229E-L
EMC dlr EFSN14081229E-E
FCC pending

SAFETY

INPUT RANGE:
110-277 VAC, 340-130mA
@ FULL LOAD.

FREQUENCY: 50/60 Hz.

EFFICIENCY: 87 % Typ.

PEAK INRUSH:
24 AMPS @ 110V AC

DIMMING:
AC Phase - Tralling edge only

POWER FACTOR: >0.98

LEAKAGE CURRENT:
< 0.01mA @277VAC
Surge Immunity: 2.5 KVac

INPUT

STANDARD LOAD RANGE:	OUTPUT	MIN	MAX	LOAD REG	MAX. RIP
	750mA	26V	40V	±5%	2.4%

OUTPUT

COOLING: CONVECTION

NOISE LEVEL: <24 dB (Doc 149600329)

RELIABILITY (MTBF): (MIL-HDBK-217E)
100,000 HRS. @ 25 DEG. C @ FULL LOAD

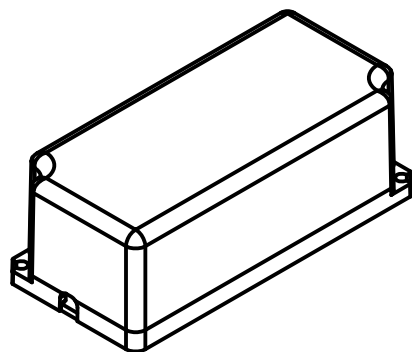
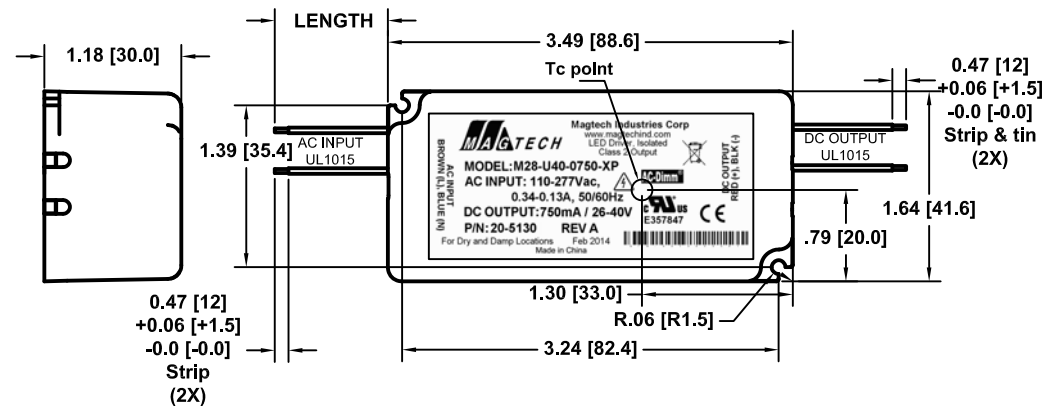
ENVIRONMENTAL CONDITIONS:
OPERATING TEMPERATURE: -30 ~ 50°C
RELATIVE HUMIDITY: 5 ~ 95%
LOCATION: For Dry and Damp Use Only

CONNECTOR:
N/A

PROTECTION:
OCP,SCP,OPP
AUTO-RECOVERY

MISCELLANEOUS

PF, THD AND EFFICIENCY CALCULATIONS ARE BASED ON THE LOADING OF THE DRIVER TO MINIMUM 65% AND MAXIMUM 100% OF 30W



MAGTECH Magtech Industries Corp
www.magtechind.com
LED Driver, Isolated
Class 2 Output

MODEL: M28-U40-0750-XP
AC INPUT: 110-277Vac, ⚡ **AC-Dimm**
0.34-0.13A, 50/60Hz
DC OUTPUT: 750mA / 26-40V
P/N: 20-5130 REV A **CE**
For Dry and Damp Locations Feb 2014
Made in China

AC INPUT BROWN (L), BLUE (N)
DC OUTPUT RED (+), BLK (-)

CON	PIN	COLOR	OUTPUT	AWG	LENGTH
AC IN	--	BROWN	LINE	18	6.5 [165]
	--	BLUE	NEUTRAL	18	
DC OUT	--	RED	+V	20	± 0.5 [± 13]
	--	BLACK	GND	20	

- Notes:
- 1.- 5 yrs warr provided tc point remains below 75° C
 - 2.- Bar code defined by drawing 77-0120.
 - 3.- Transformer - Class 130 (B), Insulation system

MANUFACTURED BY: ES

THIS ITEM IS THE PROPERTY OF MAGTECH INDUSTRIES AND CONTAINS PROPRIETARY CONFIDENTIAL AND TRADE SECRET INFORMATION. THE INFORMATION CONTAINED HEREIN MUST NOT BE USED, DISCLOSED OR REPRODUCED IN WHOLE OR IN PART WITHOUT PRIOR WRITTEN CONSENT FROM MAGTECH IND.

MAGTECH

TITLE:
M28-U40-0750-XP, 110-277VAC, 750mA, 26-40V, 5YRS

APPROVAL DATE: 03/17/2016	MODEL NO. M28-U40-0750-XP	DWG NO. M20-5130	REV. A0	SH OF 1 1
INTERPRET DRAWING PER ANSI Y14.5M	EFFECTIVE DATE: 03/10/2016			

FORM PF-004