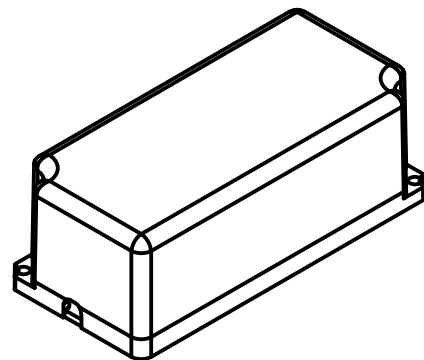
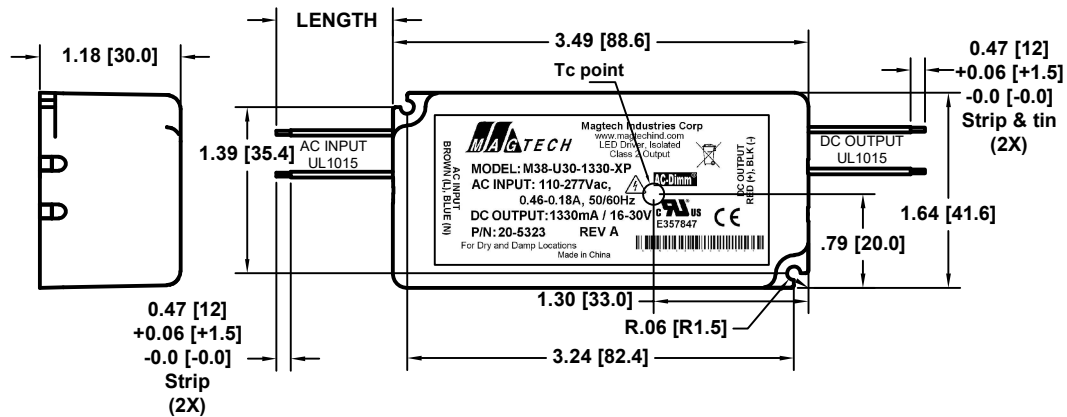


REVISIONS		
REV	DESCRIPTION	DATE
A1	CHANGED PER ECN 22-004	02/22/2024
A0	RELEASE TO PRODUCTION	11/16/2015

SAFETY STANDARDS COMPLIANCE: UL8750 UL1310 LVD EN61347-2-13 EMI STANDARDS: FCC 47 CFR PART 15 CLASS B CE EN55015, EN61547 EN61000-4-2,3,4,5,6,8,11		SAFETY CERTIFICATIONS UL cUL E357847 LVD EFSN14081229E-L EMC dir EFSN14081229E-E FCC pending	SAFETY										
INPUT RANGE: 110-277 VAC, 460-180mA @ FULL LOAD. FREQUENCY: 50/60 Hz. EFFICIENCY: 87 % Typ. PEAK INRUSH: 27 AMPS @ 110V AC		DIMMING: AC Phase - Trailing edge only POWER FACTOR: >0.98 LEAKAGE CURRENT: < 0.01mA @277VAC Surge Immunity: 2.5 KVac		INPUT									
STANDARD LOAD RANGE: <table border="1"> <thead> <tr> <th>OUTPUT</th> <th>MIN</th> <th>MAX</th> <th>LOAD REG</th> <th>MAX. RIP</th> </tr> </thead> <tbody> <tr> <td>1330mA</td> <td>16V</td> <td>30V</td> <td>±5%</td> <td>2.4%</td> </tr> </tbody> </table>					OUTPUT	MIN	MAX	LOAD REG	MAX. RIP	1330mA	16V	30V	±5%
OUTPUT	MIN	MAX	LOAD REG	MAX. RIP									
1330mA	16V	30V	±5%	2.4%									
COOLING: CONVECTION NOISE LEVEL: <24 dB (Doc 149600329)		PROTECTION: OCP,SCP,OPP AUTO-RECOVERY		MISCELLANEOUS OUTPUT									
RELIABILITY (MTBF): (MIL-HDBK-217E) 100,000 HRS. @ 25 DEG. C @ FULL LOAD													
ENVIRONMENTAL CONDITIONS: LOWEST OPERATING TEMPERATURE: -30 Tc= 90°C RELATIVE HUMIDITY: 5 - 95% LOCATION: For Dry and Damp Use Only													
CONNECTOR: N/A													
PF, THD AND EFFICIENCY CALCULATIONS ARE BASED ON THE LOADING OF THE DRIVER TO MINIMUM 65% AND MAXIMUM 100% OF 40W													



CON	PIN	COLOR	OUTPUT	AWG	LENGTH
AC	---	BROWN	LINE	18	6.5 [165]
IN	---	BLUE	NEUTRAL	18	
DC	---	RED	+V	20	± 0.5 [± 13]
OUT	---	BLACK	GND	20	

MAGTECH
Magtech Industries Corp
www.magtechind.com
LED Driver, Isolated
Class 2 Output

MODEL: M38-U30-1330-XP
AC INPUT: 110-277Vac,
 0.46-0.18A, 50/60Hz **AC-Dimm**
DC OUTPUT: 1330mA / 16-30V
P/N: 20-5323 REV A
 For Dry and Damp Locations
 Made in China

DC OUTPUT
RED (+), BLK (-)

AC INPUT
BROWN (L), BLUE (N)

- Notes:
- 1.- Magtech provides 3 years warranty (standard)
 - 2.- Bar code defined by drawing 77-0120.
 - 3.- Transformer - Class 130 (B), Insulation system
 - 4.- UL Type TL and Type HL

MANUFACTURED BY: ES

THIS ITEM IS THE PROPERTY OF MAGTECH INDUSTRIES AND CONTAINS PROPRIETARY CONFIDENTIAL AND TRADE SECRET INFORMATION. THE INFORMATION CONTAINED HEREIN MUST NOT BE USED, DISCLOSED OR REPRODUCED IN WHOLE OR IN PART WITHOUT PRIOR WRITTEN CONSENT FROM MAGTECH IND.

UNLESS OTHERWISE SPECIFIED	QC:		
DIMENSIONS IN INCHES (MM)			
TOLERANCES:		TITLE: M38-U30-1330-XP, 110-277VAC, 1330mA, 16-30V	
.X DECIMALS: .05 (1.3)		APPROVAL DATE: 11/23/2015	MODEL NO. M38-U30-1330-XP
.XX DECIMALS: .02 (0.5)		EFFECTIVE DATE: 11/16/2015	DWG NO. M20-5323
.XXX DECIMALS: .005 (0.13)			REV. A1
ANGLES: 1°			SH OF 1 1
FRACTIONS: 1/16			
DO NOT SCALE THIS DRAWING			
INTERPRET DRAWING PER ANSI Y14.5M			