

REVISIONS		
REV	DESCRIPTION	DATE
D1	RoHS marking has been added to label	05/20/2019
D0	CHANGED PER ECN E15-018	07/16/2015
C2	CHANGED PER ECN 15-005	03/27/2015
C1	CHANGED PER ECN ES 2015011401	01/19/2015
C0	CHANGED PER ECN 14-014 AND 14-020	10/29/2014
B0	CHANGED PER ECN 14-012	08/24/2014
A0	RELEASE TO PRODUCTION	03/24/2014

SAFETY STANDARDS COMPLIANCE:
UL8750
UL1310

LVD EN61347-2-13
EMI STANDARDS:
FCC 47 CFR PART 15 CLASS B
CE EN55015, EN61547
EN61000-4-2,3,4,5,6,8,11

SAFETY CERTIFICATIONS
UL, cUL E357847
LVD EFSN14081229E-L
EMC dir EFSN14081229E-E
FCC pending

SAFETY

INPUT RANGE:
110-277 VAC, 460-160mA
@ FULL LOAD.

FREQUENCY: 50/60 Hz.

EFFICIENCY: 87 % Typ.

PEAK INRUSH:
27 AMPS @ 110V AC

DIMMING:
AC Phase - Trailing edge only

POWER FACTOR: >0.98

LEAKAGE CURRENT:
< 0.01mA @277VAC
Surge Immunity: 2.5 KVac

INPUT

STANDARD LOAD RANGE:				
OUTPUT	MIN	MAX	LOAD REG	MAX. RIP
950mA	27V	42V	±5%	2.4%

COOLING: CONVECTION

NOISE LEVEL: <24 dB (Doc 149600329)

RELIABILITY (MTBF): (MIL-HDBK-217E)
100,000 HRS. @ 25 DEG. C @ FULL LOAD

ENVIRONMENTAL CONDITIONS:
OPERATING TEMPERATURE: -30 ~ 50°C
RELATIVE HUMIDITY: 5 ~ 95%
LOCATION: For Dry and Damp Use Only

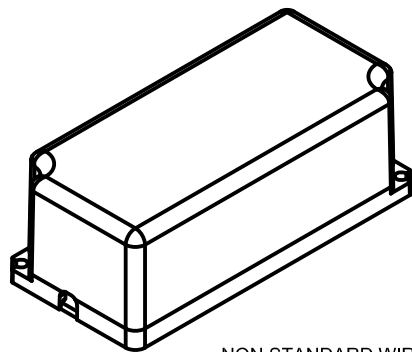
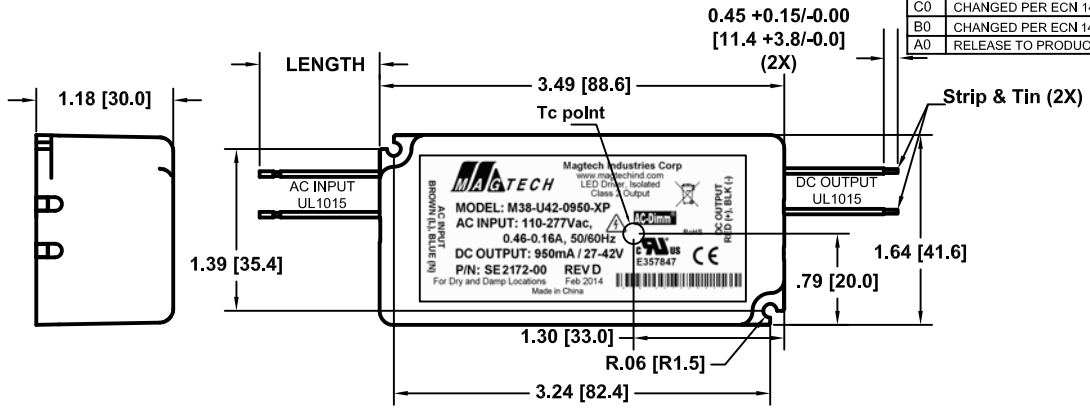
CONNECTOR:
N/A

PROTECTION:
OCP,SCP,OPP
AUTO-RECOVERY

MISCELLANEOUS OUTPUT

PF, THD AND EFFICIENCY CALCULATIONS ARE BASED ON THE LOADING OF THE DRIVER TO MINIMUM 65% AND MAXIMUM 100% OF 40W

- Notes:
- 1.- 5 yrs warr provided tc point remains below 80°C
 - 2.- Bar code defined by drawing 77-0120.
 - 3.- Transformer - Class 130 (B), Insulation system
 - 4.- Start up time is <0.75 second



NON STANDARD WIRES

CON	PIN	COLOR	OUTPUT	AWG	LENGTH
AC	-	BROWN	LINE	18	6.5 [165]
IN	-	BLUE	NEUTRAL	18	± 0.5 [± 13]
DC	-	RED	+V	20	14 [356]
OUT	-	BLACK	GND	20	± 1 [± 25]

MANUFACTURED BY: ES Juno

THIS ITEM IS THE PROPERTY OF MAGTECH INDUSTRIES AND CONTAINS PROPRIETARY CONFIDENTIAL AND TRADE SECRET INFORMATION. THE INFORMATION CONTAINED HEREIN MUST NOT BE USED, DISCLOSED OR REPRODUCED IN WHOLE OR IN PART WITHOUT PRIOR WRITTEN CONSENT FROM MAGTECH INC.

UNLESS OTHERWISE SPECIFIED		QC:	
DIMENSIONS IN INCHES (MM)			
TOLERANCES:			
.X DECIMALS±	.05 (1.3)		
.XX DECIMALS±	.02 (0.5)		
.XXX DECIMALS±	.005 (0.13)		
ANGLES±	1°	TITLE: M38-U42-0950-XP, CN-0197, 110-277VAC, 950mA, 27-42V, 5YRS	
FRACTIONS±	1/16	DO NOT SCALE THIS DRAWING	
INTERPRET DRAWING PER ANSIV14.5M		APPROVAL DATE: 04/03/2014	MODEL NO. M38-U42-0950
		EFFECTIVE DATE: 03/24/2014	DWG NO. M20-5307
			REV. D1
			SH OF 1 1