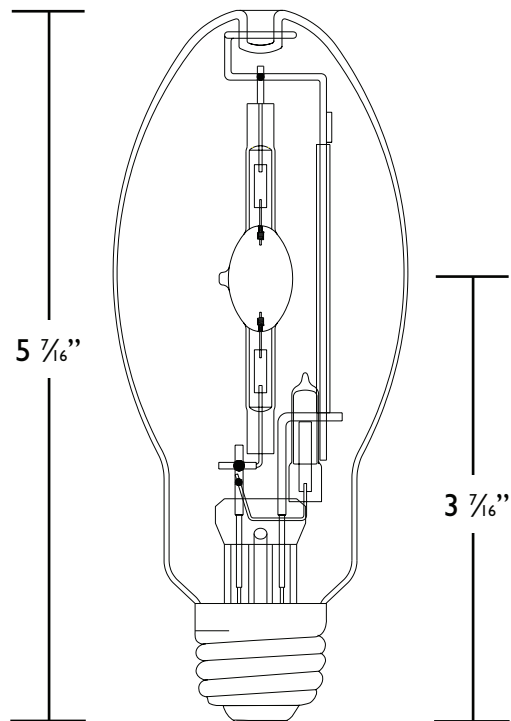


100 Watt Pulse Start Metal Halide Lamp (Clear)



Ordering Information

Ordering Code	MH100/U/M/PS 24Pk
ANSI Designation	M90/E
Product Number	137513
Description	Metal Halide - Pulse Start
Package Quantity	24

Physical Characteristics

Bulb Size	BD-17
Bulb Finish	Clear
Base	Medium
Max. Overall Length (MOL)	5 7/16" (138mm)
Light Center Length (LCL)	3 7/16" (86mm)
Arc Length	0.49" (13mm)
Arc Tube Material	Quartz
Max. Permissible Bulb Temp.	400°C (752°F) ANSI
Max. Permissible Base Temp.	190°C (374°F) ANSI
Max. Bulb to Base Eccentricity	3°
Max. Arc Tube to Base Eccentricity	3°

Operating Characteristics (Photometric)

Rated Initial Lumens ¹	9,000
Mean Lumens, Approx. ²	5,400
Rated Average Life, Hours	15,000
Correlated Color Temp. (CCT) ²	4000K
CIE Chromaticity Approx. ²	x-.385, y-.390
Color Rendering Index (CRI)	65
Efficacy (lpw)	90
Lumen Maintenance @ 40% rated life	60%

Operating Position

Universal

Note: Pulse Start Metal Halide is Designed for Operation on Only Approved Ballasts with Metal Halide Pulse Igniters.

PHILIPS