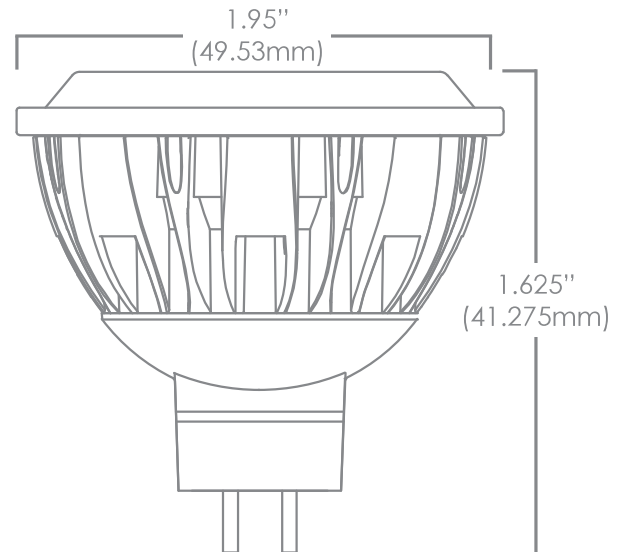


DESCRIPTION

The Brilliance Gen 6 MR16 Bi-Pin combines performance with a sleek, redesigned housing for a modern look, while offering a high CRI >92 for superior color rendering. With exceptional efficiency, it delivers reliable, energy-saving operation. The lamp includes four swappable optics for easy customization to suit various applications. Designed to perform in enclosed fixtures, it features thermal management for extreme heat and is dimmable with most magnetic transformers. Ideal for damp locations, this lamp combines functionality and adaptability in one package. Not for underwater use.

MR16 FEATURES

- High CRI
 - CRI >92
 - R9 = 53, R13 = 95
- High CRI
- High Power Factor
 - Power factor .92 (2w, 4w, 5w) and .95 on 7w
- IP66
- Swappable Optics
 - One lamp & 4 optics included in the box 15° Optic, 30° Optic, 60° Optic, & 120° Optic
- High Efficiency VA
 - 2.32, 4.91, 5.58, 7.2 Optic
- Redesigned Housing



Part Number: **MR16-X-XXXX-XXX**

Wattage | Kelvin | Beam spread

MR16 SPECS

Wattage	2W	4W	5W	7W	
Volt Amps	2.32	4.91	5.58	7.2	
Lumens	2700K	205	450	490	630
	3000K	210	460	500	640
	5700K	215	475	515	660
Beam Spread†	15°, 30°, 60°, 120°				
Kelvin Temperature	2700K, 3000K, 5700K				
Color	Amber, Red, Blue, Green, Silver Green				
Operating Range	8-25 VAC/DC				
Replaces	10W, 20W, 35W, 50W Halogen				
CRI	>90				
POWER FACTOR	.92				
IP	66				
Lamp Life (hrs.)	50,000				
Warranty (yrs.)	5				

