

# MR16 ECOSTAR

## DESCRIPTION

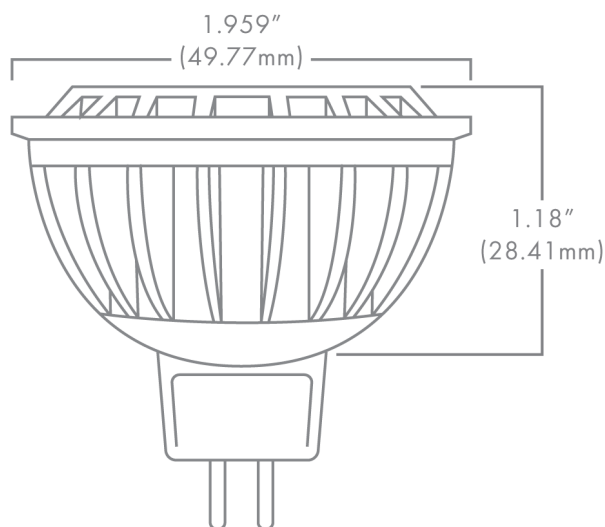
The Brilliance MR16 ECOSTAR Bi-Pin lamp is designed to fit in standard low voltage fixtures. Designed for budget-conscious landscape lighting projects. Dimmable with Brilliance Dimmer and most magnetic transformers.

## MR16 ECOSTAR FEATURES

- White housing
- Enhanced ESD (Electro-Static Discharge) protection (IEC-61000-4-2)
- Heat overload protection technology

## MR16 ECOSTAR SPECS

Wattage	<b>4W</b>	<b>7W</b>	
Volt Amps	6.35	11.11	
Lumens	<b>2700K</b>	350	640
	<b>3000K</b>	420	<b>660</b>
	<b>5700K</b>	430	-
Beam Spread†	<b>15°, 30°, 60°, 120°</b>		
Kelvin Temperature	<b>2700, 3000, 5700</b>		
Operating Range	<b>8-25 VAC/DC</b>		
Replaces	<b>35W, 50W Halogen</b>		
CRI	<b>80</b>		
IP	<b>61</b>		
Lamp Life (hours)	<b>30,000</b>		
Warranty (years)	<b>3</b>		



Part Number: **MR16-X-ECO-XXXX-XXX**

Wattage      Kelvin      Beam spread



† Select Beam Spreads Available in Stock.  
Call 800-867-2108 for availability.