



MRX SERIES

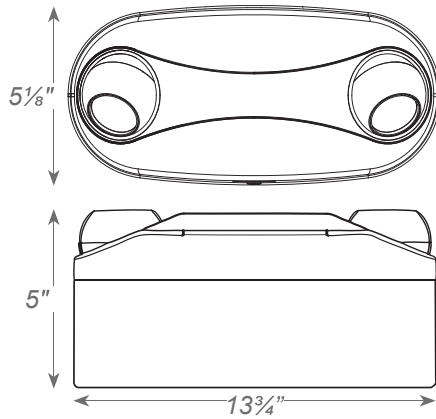
HIGH CAPACITY, REMOTE CAPABLE EMERGENCY LIGHT



PROJECT: _____
 FIXTURE TYPE: _____
 LOCATION: _____
 CONTACT/PHONE: _____



DIMENSIONS



ILLUMINATION

- Two fully adjustable semi-recessed, round MR16 lamp heads for optimal light distribution
- Ultra-bright, energy efficient, long-life White LED lamps provide up to 76-ft center-to-center spacing with 3-ft path of egress at 7.5-ft mounting height.

HOUSING

- Injection-molded, engineering grade, 5VA flame retardant, high-impact resistant, thermoplastic in white or black finish.

ELECTRICAL

- Dual 120/277 voltage.
- Charge rate/power “ON” LED indicator light and push-to-test switch for mandated code compliance testing.
- LVD (low voltage disconnect) prevents battery from deep discharge.
- Offers 36W of remote capacity.
- 6V maintenance-free, rechargeable sealed lead acid battery.
- Internal solid-state transfer switch automatically connects the internal battery to lamp heads for minimum 90-minute emergency illumination.
- Fully automatic solid-state, two rate charger initiates battery charging to recharge a discharged battery in 24 hours.

MOUNTING

- Surface mount via easy connect back plate, which fits most standard junction boxes and snaps into place making internal electrical connections.
- Conduit mount knockout on top of housing and backplate.
- Suitable for wall mount.

WARRANTY

- Five year warranty on all electronics and housing. Battery prorated for two years.
- Meets UL924, NFPA 101 Life Safety Code, NEC, OSHA, Local and State Codes.
- UL Listed for damp locations (20°C – 40°C).



ORDERING INFORMATION

model	voltage	wattage	lamps	options	accessories (order separately)
MRX-HO	6 = 6 Volt 12 = 12 Volt	54 = 54 Watts	PLED = 7.0W High Lumen White LED Lamps	BL = Black Housing	BG-1 = Polycarbonate Vandal Shield WG1 = Wire Guard (Brushed Silver Finish) WG-STI-9644 = Wire Guard (White Powdercoat Finish)

Ordering Example: MRX-HO-6-54-PLED



MRX SERIES

HIGH CAPACITY EMERGENCY LIGHT



PROJECT: _____
 FIXTURE TYPE: _____
 LOCATION: _____
 CONTACT/PHONE: _____

ELECTRICAL INFORMATION

CATALOG NUMBER	INPUT WATTS (W)		INPUT AMPS (A)	
	120V	277V	120V	277V
MRX-HO-6-54-PLED	11.4	11.4	0.12	0.05
MRX-HO-12-54-PLED	11.5	11.7	0.12	0.05

REMOTE LAMP COMPATIBILITY

MODEL NUMBER	BATTERY	REMOTE CAPACITY	COMPATIBLE REMOTE HEAD FAMILY					
			ASRLED			R-ASRLED		
			3.6V	9.6V	MV	3.6V	9.6V	MV
MRX-HO-6-54-PLED	6V	36W			X			X
MRX-HO-12-54-PLED	12V	36W			X			X