

PROJECT NAME: _____ CAT. #: _____
 NOTES: _____ FIXTURE SCHEDULE: _____

Adjustable Beam Flood 100-320W

Lower wattage versions on separate sheet



MSF100/150W Slipfitter



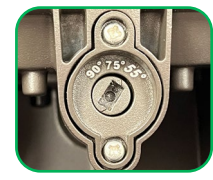
MSF100/150W Yoke



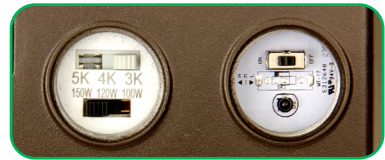
210/320W Slipfitter



210/320W Yoke



Adjustable Beam Angle



Wattage/CCT & PC Switches

Product Description:

The MaxLite Slim Flood Light family delivers high performance in a small and price-effective package. Larger wattages (100-320W) are available with either 2 3/8" OD knuckle slipfitter or a yoke mounting. All models are CCT selectable, allowing customers to choose from 3000K, 4000K or 5000K. 100-150W versions have an integral photocell that can be turned on or off. The 210-320W versions include a 7pin NEMA twist lock receptacle with a shorting cap so customers can install a twist lock photocell or control node if required. Additionally, all models have adjustable beam angles allowing the customer to customize the optics to their application.

Construction:

- Die cast aluminum housing with corrosion resistant powder coat paint
- Tempered glass lens

Controls:

- 100/150W include photocell with on/off switch
- 210/320W include 7 pin twist lock receptacle with shorting cap for field installable controls

Installation:

- All models have adjustable beam angles between Narrow, Medium and Wide
- Available with slipfitter knuckle, yoke mount or combination of both mounts.
- 4' SO cord
- Mountings are field installable

Listings:

- UL listed for Wet Locations, Outdoor

Ordering Information

FAMILY	WATTAGE	VOLTAGE	DISTRIBUTION	-	CCT	COLOR	MOUNTING	CONTROLS	SURGE PROTECTION	OPTIONS
MSF= Maxlite Slim Flood	100= 100W (dedicated wattage)	U= 120-277V H= 277-480V	A= Adjustable Beam (Narrow/Medium/Wide)	-	WCS= Wattage/CCT Selectable (3/4/5K)	B= Bronze <i>Contact Maxlite for additional finishes</i>	K= Knuckle Slipfitter Y= Yoke	PC= Button photo control 100/150W only)	BLANK= 6kV standard S= 20kA additional surge protector	BLANK= None TA= TAA Compliant
	150= 150W (100/130/150W)									
	210= 210W (dedicated wattage)							(Factory Installed)		
	320= 320W (210/250/320W)									



Adjustable Beam Flood 100-320W

Lower wattage versions on separate sheet

Stocked Items

ORDER CODE	MODEL NUMBER	DLC PRODUCT ID#	DLC CATEGORY	WATTAGE	CCT
111736	MSF100UA-CSBKPC	S-K6196Z	Outdoor Luminaires - Architectural Flood and Spot Luminaires	104.7W	3/4/5K
111734	MSF100UA-CSBYPC				
112333	MSF100HA-CSBKPC	S-C7LGVK		103.3W	
112332	MSF100HA-CSBYPC				
111737	MSF150UA-WCSBKPC	S-94P4LL		153.1W	
111738	MSF150UA-WCSBYPC				
112334	MSF150HA-WCSBKPC	S-94P4LL		152.7W	
112335	MSF150HA-WCSBYPC				
111744	MSF210UA-CSBKPR7	S-1SLN2H		211.6W	
111745	MSF210UA-CSBYPR7				
111742	MSF210HA-CSBKPR7	S-PCWQD3		211.3W	
111743	MSF210HA-CSBYPR7				
111750	MSF320UA-WCSBKPR7	S-QDJGFR	315.2W		
111751	MSF320UA-WCSBYPR7				
111748	MSF320HA-WCSBKPR7	S-Z9RFJN	317.6W		
111749	MSF320HA-WCSBYPR7				

Wattage Selectable Lumen Chart

MSF150	100W= 14,020 - 16,910	130W= 16,640 - 20,620	150W= 19,570 - 23,350
MSF320	210W= 28,360 - 31,430	250W= 31,750 - 36,910	320W= 40,070 - 44,880

Accessories

ORDER CODE	MODEL NUMBER	DESCRIPTION	IMAGE
111821	MSF-150WVISOR	HALF VISOR FOR MSF100/150	
111822	MSF-320WVISOR	HALF VISOR FOR MSF210/320	
72055	PCTL-UNV	TWIST-LOCK ELECTRONIC PHOTOCONTROL 120/208/240/277V (REQUIRES RPC OR PR7 FIXTURE OPTION)	
1408292	PCTL-HV	TWIST-LOCK ELECTRONIC PHOTOCONTROL 480V (REQUIRES RPC OR PR7 FIXTURE OPTION)	
96268	MLRTLPCRSP	SHORTING CAP FOR NEMA TWIST LOCK PHOTOCELL RECEPTACLE (3, 5 OR 7 PIN) (REPLACEMENT PURPOSES REQUIRES RPC OR PR7 FIXTURE OPTION)	
111828	MSF-150YOKEMT	MSF YOKE MOUNT 100/150W (CAN FIELD INSTALL)	
111829	MSF-320YOKEMT	MSF YOKE MOUNT 210/320W (CAN FIELD INSTALL)	



Adjustable Beam Flood 100-320W

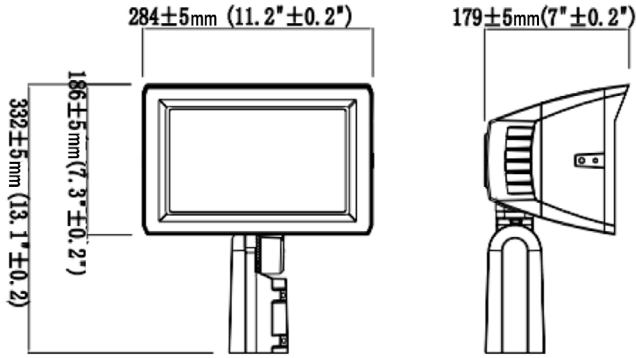
Lower wattage versions
on separate sheet

Specifications	100W	100/130/150W	210W	210/250/320W
Power Consumption (W)	100W	Selectable 100/130/150W	210W	Selectable 210/250/315W
Lumens (lm) Highest Wattage*	14,020 - 16,910	19,570 - 21,540	28,360 - 30,660	40,070 - 44,880
Efficacy (lm/w)	136 - 166	128 - 155	134 - 150	127 - 142
CRI	80			
Color Temperature (K)	Selectable between 3/4/5K			
Beam Angle	Adjustable between Narrow, Medium and Wide (55°, 75° and 90°)			
Voltage	120-277V, 277-480V available			
Surge Protection	6kV standard, Option to add 20kA (factory installed)			
Lumen Maintenance (L70) hrs	100K +			
Controls	0-10V dimming leads staged and integral photocell with on/off switch		0-10V dimming leads staged & 7 pin twist lock receptacle w/ shorting cap	
Housing	Die cast aluminum housing with corrosion resistant polyester powder coat			
Lens	Tempered Glass			
Mounting	4', SO cord, 2 3/8" OD Knuckle Slipfitter or Yoke. Yoke is also field installable. Option for both included (2 in mounting designation)			
EPA (H=Horizontal, V=Vertical)	0.71H, 0.83V ft ²		1.48H, 1.6V ft ²	
Operating Temperature	-40°F to 122°F (-40°C to 50°C)			
Weight	10.5lbs (4.7kg)		22.5lbs (10.kg)	
Listings	UL, FCC, ANSI 3G Vibration, IP65			
DLC	DLC 5.1 Premium			
Warranty	5 Year warranty. Check maxlite.com/warranties for details.			

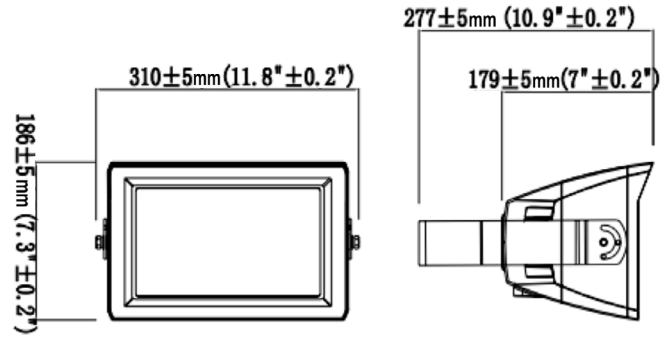
Adjustable Beam Flood 100-320W Lower wattage versions on separate sheet

Product Dimensions

MSF100/150W

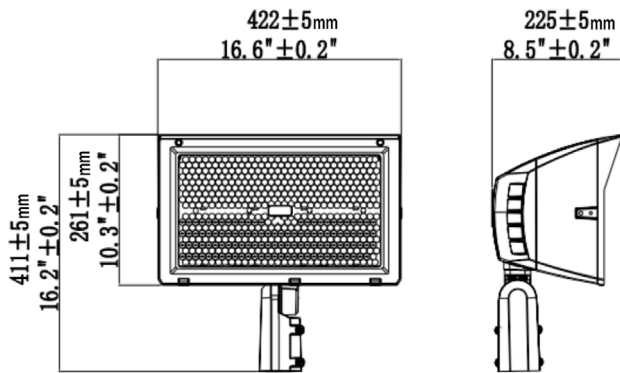


Knuckle Slipfitter

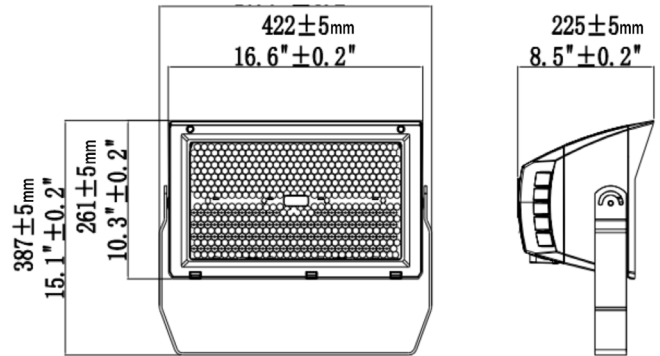


Yoke

MSF210/320W



Knuckle Slipfitter



Yoke

Adjustable Beam Flood 100-320W

Lower wattage versions on separate sheet

Dimensions

LEGEND

- 0.5 fc
- 1 fc
- 2 fc
- 5 fc

ISOFOOTCANDLE:

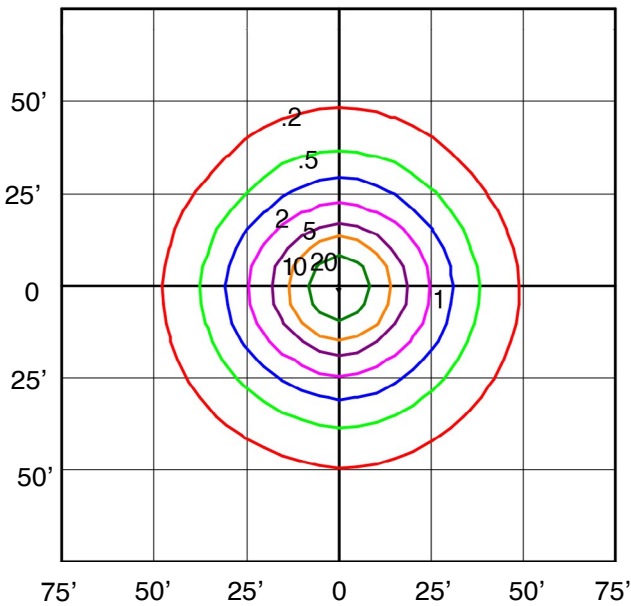
Each gridline represents one mounting height.

For mounting heights other than noted multiply FC by the below factor.

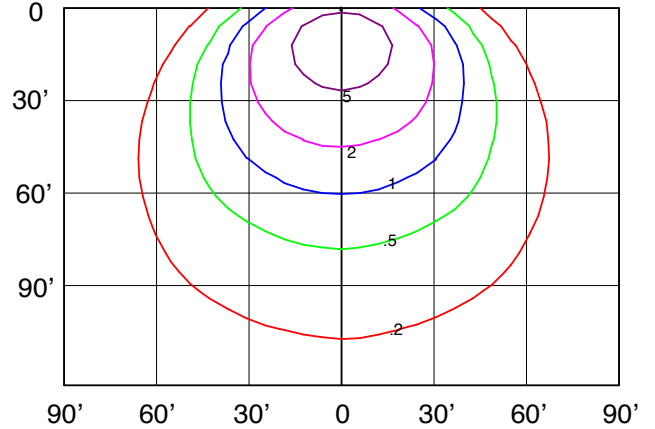
$$\text{Factor} = \frac{(\text{Chart's Mtg Height})^2}{(\text{Actual Mtg Height})^2}$$

Layouts based on 3000K. Results are 3-5% more for 4000/5000K. Consult IES file for more precise calculations.

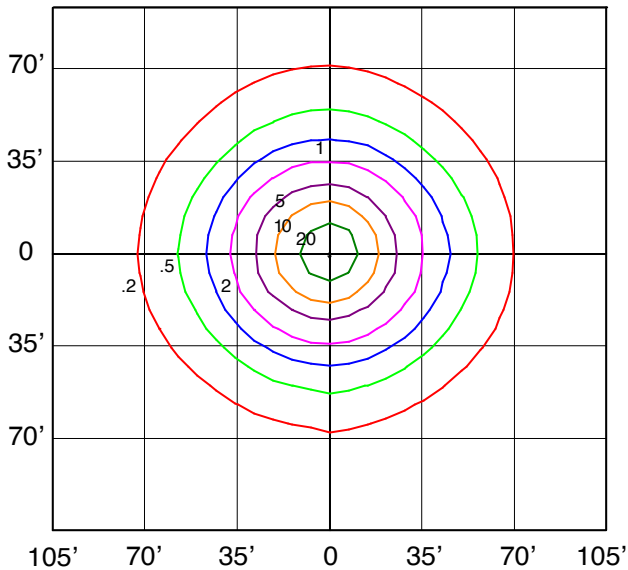
MSF150 Narrow 25' Setback



MSF150 Wide 30' Setback 45° Tilt



MSF320 Narrow 35' Setback



MSF320 Wide 40' Setback 45° Tilt

