



Gardco OptiForm Flood is a low-profile, lightweight luminaire designed for parking lots and other area lighting applications, delivering aesthetics, flexibility, and savings for campuses, retail and hospitality, and public spaces. With a variety of adjustable mountings and advanced optics, it provides efficient, uniform illumination over a tilt range of 0°-80° above nadir. Engineered with integral controls options and Service Tag, OptiForm reduces energy and maintenance costs. Whether you need to highlight key areas or cover expansive zones, choose OptiForm for optimal performance.

Project: _____
 Location: _____
 Cat.No: _____
 Type: _____
 Lamps: _____ Qty: _____
 Notes: _____

Ordering guide

Example: OFD-S-7L-740-A33-SF2-UNV-FAWS-MG

Luminaire	Configuration (nom. lumens)	Color Temperature	Distribution	Mounting	Voltage
OFD-S					
OFD-S OptiForm Flood Small	7L 7,000 lm	827¹ 80CRI 2700K	3x3 NEMA 3x3 (Medium Spot)	SF2 (2-3/8") Slip Fitter Mount	120 120V
	9L 9,000 lm	830 80CRI 3000K	4x4 NEMA 4x4 (Narrow Flood)	SF3 (3") Slip Fitter Mount	208 208V
	12L 12,000 lm	840 80CRI 4000K	5x5 NEMA 5x5 (Medium Flood)	TRN Trunnion Mount (6' or 1.83m cord exits luminaire)	240 240V
	16L 16,000 lm	727¹ 70CRI 2700K	6x6 NEMA 6x6 (Wide Flood)	WAA Wall Mount - Adjustable	277 277V
	20L 20,000 lm	730 70CRI 3000K	A33 NEMA 6x5 (Asymmetric 33° Tilt Flood)	POA Single Post Top - Adjustable	347 347V
		740 70CRI 4000K		ARA Arm Mount - Adjustable	480 480V
		750 70CRI 5000K		MAA Mast Arm - Adjustable	UNV 120-277V
					HVU 347-480V

Dimming Controls (only one may be selected)	Lighting Controls ² (only one may be selected)	Options	Finish
The following options include a 0-10V Driver	None -	Surge protection	Standard textured
None 0-10V dimming driver (standard)	PCB⁵ Photocontrol Button	None Surge protector 10kV/10kA (standard)	BK Black
DLEA Dimming leads externally accessible (controls by others)	TR7³ NEMA 7-pin Twist Lock Receptacle	SP2 Surge protector 20kV/10kA (option)	WH White
FAWS⁷ Field adjustable wattage selector	TLP³ NEMA 7-pin Twist Lock Receptacle with 3-pin photocell	Fusing^{6,7}	BZ Bronze
		FS1 Single Fuse (120V, 277V, or 347V)	DG Dark Gray
		FS2 Double Fuse (208V, 240V, 480V)	MG Medium Gray
The following options include a D4i Certified DALI/SR Driver⁴			Customer specified¹
D4ID D4i Certified DALI/SR Driver			OC Specify optional color or RAL (consult factory)
ZD4I³ Zhaga-D4i Certified Fixture (includes Zhaga 4-pin receptacle; sensor supplied by others)			SC Special color (must supply color chip, requires factory quote)
RCRK^{6,8} Ready to Connect to Remote Kit (see RCRK-Compatible Accessories for RK-TR7, RK-WIAPLB, and RK-WIAPHB)			MP Marine grade paint (must specify finish color from list above; Example: BK-MP)

1. Extended lead times apply. Consult factory for details.
2. Not compatible with SF2, SF3, or TRN mounting options.
3. Luminaire tilt restriction of 45°
4. D4ID and ZD4I not available with combination of HVU and 7L, 9L, or 12L configurations.

5. PCB only available with 120, 208, 240, or 277.
6. Must specify input voltage. UNV and HVU not valid.
7. FAWS is not available with fusing options FS1 or FS2.
8. Must install with desired Remote Kit (see **RCRK-Compatible Accessories**).

OFD-S OptiForm small Floodlight

Mounting Accessories (order separately)

OFD-RMB Retrofit Mounting Bolster Plate for attaching OptiForm to existing poles. Recommended for retrofit applications. Only compatible with Arm Mount - Adjustable (ARA).

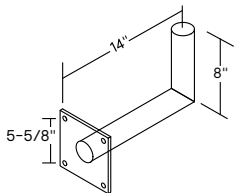
Mounting Brackets

For wall and pole brackets, bullhorns, etc. see <https://www.signify.com/en-us/products/outdoor-luminaires/poles-brackets/site-and-area-brackets/bullhorn-brackets#downloads> for details.

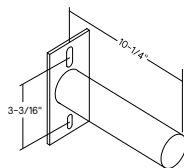
Exception: All UPS Upsweep - contact factory to confirm compatibility. Bracket examples shown below.

Single Bracket Examples

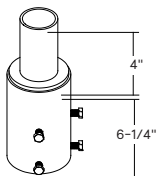
SBRKT-RAH-L1-14/8-WA



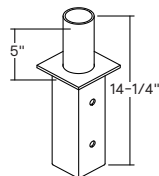
SBRKT-STN-L1-10



SBRKT-ETR-L1-4

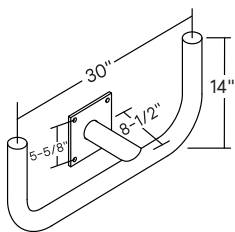


SBRKT-ITA-L1-4

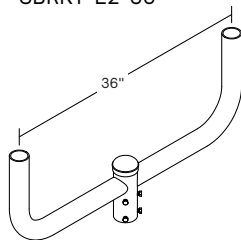


Twin Linear Bracket Examples

SBRKT-RA-L2-30-WA

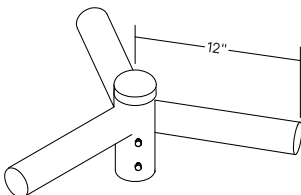


SBRKT-L2-36



Triple Spider Bracket Example

SBRKT-S3-12



Luminaire Accessories (order separately, field installed)

One shield kit per luminaire

OFD-S-GSH Glare Shield (For use with 3x3 and 4x4 optics), qty 1

OFD-S-A33-FSS Front Side Shield (For use with A33 optic), qty 1

OFD-TSC Twist-Lock Shorting Cap (ordered separately for use with TR7 option)

RCRK-Compatible Accessories¹ (Dark Gray finish)

OFD-RK-TR7 Remote Kit NEMA 7-pin Twist Lock Receptacle (sensor supplied by others)

OFD-RK-WIAPLB² Remote Kit 4-pin Zhaga Socket with Wireless Interact Low (7'-15' mounting height) sensor, Black color sensor housing

OFD-RK-WIAPHB² Remote Kit 4-pin Zhaga Socket with Wireless Interact High (15'-40' mounting height) sensor, Black color sensor housing

1. One RCRK-Compatible Accessory can control up to 4 luminaires. Exceptions may apply depending on the luminaire configuration and sensor's rating. Consult installation documents or technical support for more details.
2. WIAPLW or WIAPHW (Wireless Interact Low or High sensor, White sensor housing) available - contact factory for details.

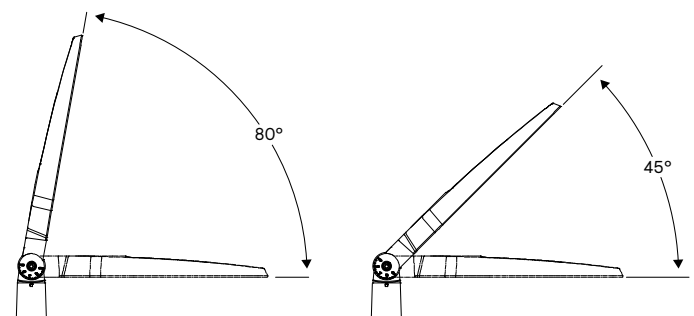
Predicted Lumen Depreciation Data

Predicted performance derived from LED manufacturer's data and engineering design estimates, based on IESNA LM-80 methodology. Actual experience may vary due to field application conditions. L70 is the predicted time when LED performance depreciates to 70% of initial lumen output. Calculated per IESNA TM21-11. Published L70 hours limited to 6 times actual LED test hours.

Ambient Temp °C	L70 per TM-21	Lumen Maintenance % at 60,000 hrs
25°C	>102,000 hours	96%

Aiming diagram

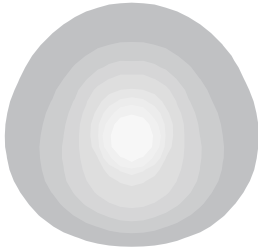
ZD4I, TR7, and TLP options limited to 0-45° per ANSI C136.10.



OFD-S OptiForm small

Floodlight

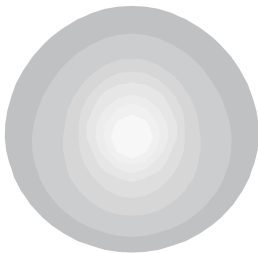
Optical Distributions



15' or 4.6m mounting height, 30° tilt

3x3 NEMA 3x3 (Medium Spot)

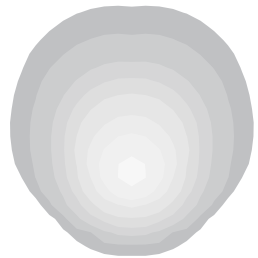
- **Typical mounting height:** 10'–35' (3.0–10.7 m)
- **Suggested setback:** 15' (4.6 m)
- **Suggested tilt:** Up to 45° downward
- **Recommended tilt:** ~ 30°
- **Applications:** Flags (especially large flags needing reach), tighter accenting, scalloping, projecting up tall columns or slender features, statues, vertical architectural elements, tall trees.
- **Rationale:** This optic is concentrated, suitable where you want sharp light long distances with minimal spread, and to sculpt light/shadow.



30' or 9.1m mounting height, 25° tilt

4x4 NEMA 4x4 (Narrow Flood)

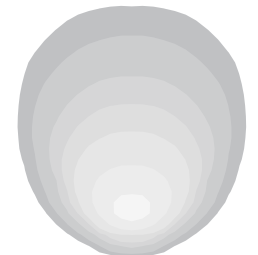
- **Typical mounting height:** 20' to 40' (6.1–12.2 m)
- **Suggested setback:** ~ 15' to 25' (4.6–7.6 m) or about equal to mounting height
- **Suggested tilt:** Up to 45° downward
- **Recommended tilt:** ~ 25°
- **Applications:** Façade accent lighting, building edges, vertical surfaces (walls, columns), narrow billboards/signage, architectural reveals.
- **Rationale:** This optic gives modest spread while keeping light directed to the target (minimizing spill).



30' or 9.1m mounting height, 25° tilt

5x5 NEMA 5x5 (Medium Flood)

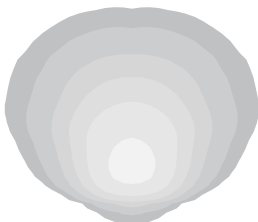
- **Typical mounting height:** 25' to 45' (7.6–13.7 m)
- **Suggested setback:** ~ 15' to 30' (4.6–9.1 m)
- **Suggested tilt:** Up to 45° downward
- **Recommended tilt:** ~ 25°
- **Applications:** General flood of moderate surfaces, mid-scale building façades, signage, mid-size plazas, terrain/landscape illumination, wall washing.
- **Rationale:** This optic is a good compromise between throw and spread; common general-purpose flood.



30' or 9.1m mounting height, 30° tilt

6x6 NEMA 6x6 (Wide Flood)

- **Typical mounting height:** 25' to 45' (7.6–13.7 m)
- **Suggested setback:** ~ 10' to 30' (3.0–9.1 m)
- **Suggested tilt:** Up to 45° downward
- **Recommended tilt:** ~ 30°
- **Applications:** Broad façade flooding, larger walls, building perimeters, landscape washes, massing features, general site flood from poles.
- **Rationale:** Wider beam spread gives more coverage laterally; ideal where you want coverage rather than projection.



30' or 9.1m mounting height, 33° tilt

A33 NEMA 6x5 (Asymmetric 33° Tilt Flood)

- **Typical mounting height:** 25' to 45' (7.6–13.7 m)
- **Suggested setback:** ~ 5'– 30' (1.5–9.1 m)
- **Suggested tilt:** ~ 33° (by definition / design)
- **Recommended tilt:** 33°
- **Applications:** Perimeter pole floods, area lighting from edges, parking lots, wall washing from distance, large façades, large trees / landscape canopies.
- **Rationale:** The asymmetry allows you to flood forward into the area while limiting back spill; ideal where luminaires are on boundary. Mimics a Type 4 area distribution.

OFD-S OptiForm small

Floodlight

OPF-S Floodlight Lumen Values

Configuration	CRI	Color Temp. (K)	Average System Watts (W)	3x3		4x4		5x5		6x6		A33	
				Lumen Output	Efficacy (LPW)	Lumen Output	Efficacy (LPW)	Lumen Output	Efficacy (LPW)	Lumen Output	Efficacy (LPW)	Lumen Output	Efficacy (LPW)
OFD-S-7L-730	70	3000	42	7038	168	6891	164	7260	173	7214	172	7179	171
OFD-S-9L-730	70	3000	54	9099	169	8910	165	9387	174	9328	173	9283	172
OFD-S-12L-730	70	3000	63	10601	168	10380	165	10936	174	10867	173	10815	172
OFD-S-16L-730	70	3000	103	16283	158	15943	155	16798	163	16692	162	16611	161
OFD-S-20L-730	70	3000	139	20774	150	20341	146	21431	154	21296	153	21193	153
OFD-S-7L-740	70	4000	42	7326	174	7173	171	7557	180	7510	179	7473	178
OFD-S-9L-740	70	4000	54	9472	175	9274	172	9771	181	9710	180	9663	179
OFD-S-12L-740	70	4000	63	11035	175	10805	172	11384	181	11312	180	11257	179
OFD-S-16L-740	70	4000	103	16949	165	16596	161	17485	170	17375	169	17291	168
OFD-S-20L-740	70	4000	139	21625	156	21174	152	22309	161	22168	160	22060	159
OFD-S-7L-750	70	5000	42	7311	174	7159	170	7543	180	7495	178	7459	178
OFD-S-9L-750	70	5000	54	9453	175	9256	171	9752	181	9691	180	9644	179
OFD-S-12L-750	70	5000	63	11013	175	10784	171	11362	180	11290	179	11235	178
OFD-S-16L-750	70	5000	103	16916	164	16563	161	17451	169	17341	168	17257	168
OFD-S-20L-750	70	5000	139	21582	155	21132	152	22265	160	22124	159	22017	158
OFD-S-7L-830	80	3000	42	6405	153	6272	149	6608	157	6566	156	6534	156
OFD-S-9L-830	80	3000	54	8282	153	8109	150	8544	158	8489	157	8448	157
OFD-S-12L-830	80	3000	63	9648	153	9447	150	9953	158	9890	157	9843	156
OFD-S-16L-830	80	3000	103	14819	144	14510	141	15288	148	15191	148	15118	147
OFD-S-20L-830	80	3000	139	18907	136	18513	133	19505	140	19382	139	19288	139
OFD-S-7L-840	80	4000	42	6699	160	6559	156	6911	165	6867	164	6834	163
OFD-S-9L-840	80	4000	54	8661	160	8481	157	8935	166	8879	164	8836	164
OFD-S-12L-840	80	4000	63	10091	160	9880	157	10410	165	10344	164	10294	163
OFD-S-16L-840	80	4000	103	15499	151	15176	147	15989	155	15888	154	15811	154
OFD-S-20L-840	80	4000	139	19774	142	19362	139	20400	147	20271	146	20173	145

OFD-S OptiForm small

Floodlight

Dimensions

SF2 (2-3/8") Slip Fitter Mount

Weight: 12lbs (5.4kg)

EPA		
0°	30°	60°
0.46 ft ²	0.54 ft ²	1.17 ft ²
0.14 m ²	0.16 m ²	0.36 m ²

SF3 (3") Slip Fitter Mount

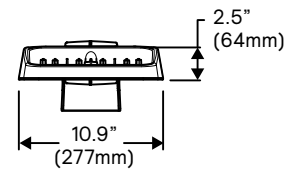
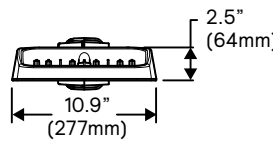
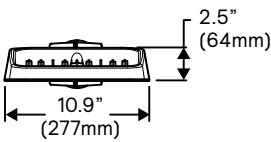
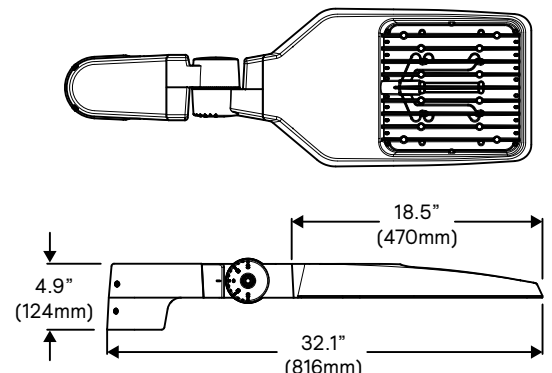
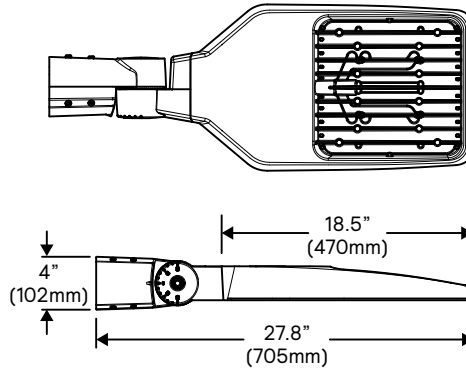
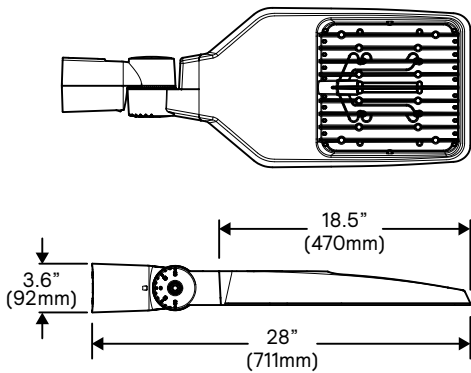
Weight: 12lbs (5.4kg)

EPA		
0°	30°	60°
0.48 ft ²	0.61 ft ²	1.26 ft ²
0.15 m ²	0.19 m ²	0.38 m ²

POA Single Post Top - Adjustable

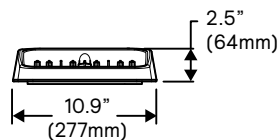
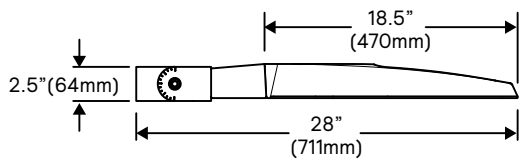
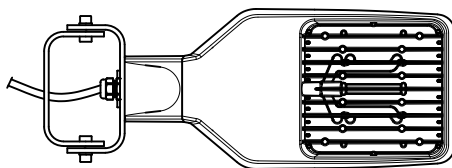
Weight: 15.1lbs (6.9kg)

EPA		
0°	30°	60°
0.59 ft ²	0.63 ft ²	1.28 ft ²
0.18 m ²	0.19 m ²	0.39 m ²



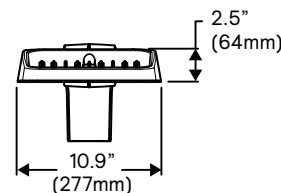
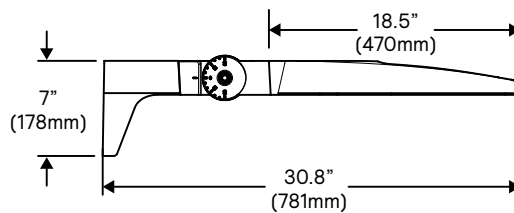
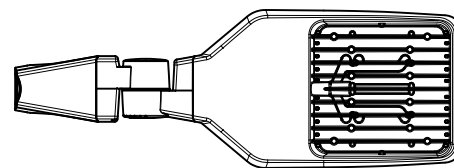
TRN Trunnion Mount

Weight: 14.3lbs (6.4kg)



WAA Wall Mount - Adjustable

Weight: 14.1lbs (6.4kg)



OFD-S OptiForm small Floodlight

Dimensions (continued)

ARA Arm Mount - Adjustable

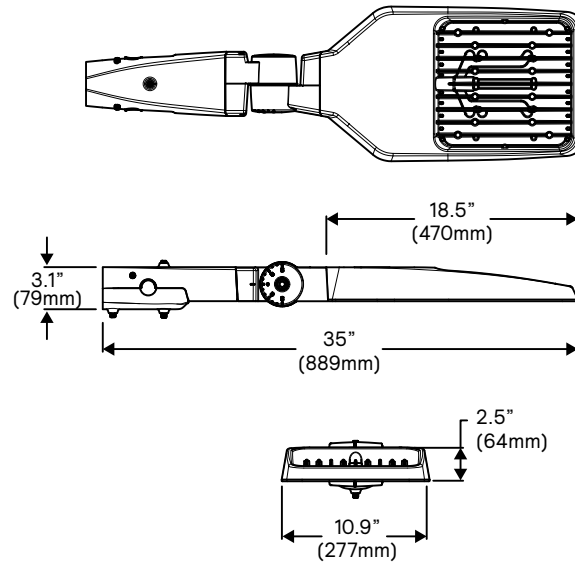
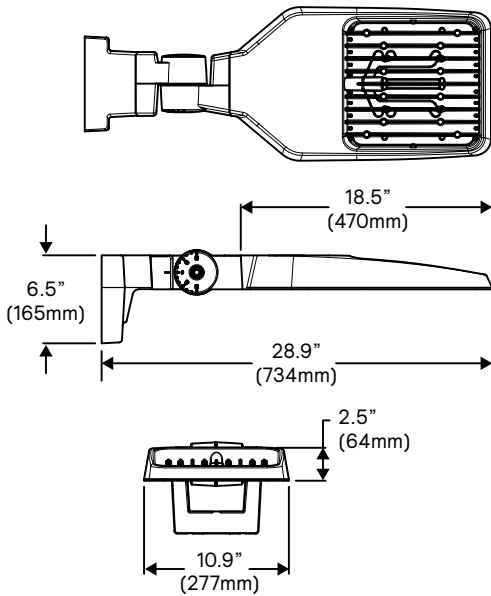
Weight: 15lbs (6.8kg)

EPA		
0°	30°	60°
0.57 ft ²	0.68 ft ²	1.41 ft ²
0.17 m ²	0.21 m ²	0.43 m ²

MAA Mast Arm - Adjustable

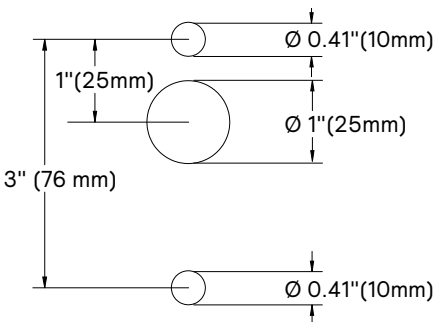
Weight: 15.5lbs (7.0kg)

EPA		
0°	30°	60°
0.55 ft ²	0.59 ft ²	1.23 ft ²
0.17 m ²	0.18 m ²	0.37 m ²

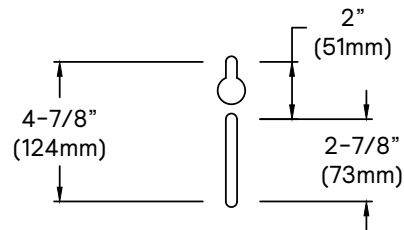


Standard Drill Pattern for Arm Mount - Adjustable (ARA)

Drill Template #5



Standard Arm Mounting Hole Pattern



OFD-S OptiForm small Floodlight

Specifications

Housing

Housing and door constructed of low copper die cast Aluminum alloy (A360) with detachable arms for quick mounting. Heatsink is integral to the housing providing passive cooling of LEDs to maintain long LED life. Luminaire housing rated to IP66, LED Modules rated IP66 tested in accordance to Section 9 of IEC 60598-1. OptiForm carries an impact rating of IK08.

Vibration resistance

OptiForm **SF2**, **SF3**, **POA**, **ARA**, and **MAA** mounts are tested and rated to standards set forth in ANSI C136.31-2018 & 2023 Level 1 (1.5G) Normal applications. **WAA** and **TRN** mounts pass the UL 1598 Load Test.

Light engine

Sealed high-performance LED light engine with scalable modules.

- **Small:** 1 module, 40 LEDs
- **Medium:** 2 modules, 80 LEDs
- **Large:** 4 modules, 160 LEDs
- **X-Large:** 6 modules, 240 LEDs

Delivers reliable output in multiple color temperatures: 70 CRI with 2700K or 3000K or 4000K or 5000K, and 80 CRI with 2700K or 3000K or 4000K. Contact factory prior to ordering 70CRI or 80CRI with 2700K. Tolerance: 2700K ±145K; 3000K ±175K; 4000K ±275K; 5000K ±283K (per ANSI/NEMA binning).

LED light engine is designed for durability with IP66 protection in accordance to Section 9 of IEC 60598-1 and RoHS-compliant construction.

Optical systems

OptiForm Flood small optical distributions include NEMA **3x3**, **4x4**, **5x5**, **6x6**, and **6x5 (A33 Asymmetric 33° Tilt)**. Optional internal shields mount to LED optics and are available. **OFD-S-GSH** (see Accessories) is designed for NEMA 3x3 and 4x4 optical distributions. **OFD-S-A33-FSS** (see Accessories) is designed for use with the **A33** optical distribution. Flood optics shall be performance tested per LM-79 and TM-15 (IESNA) certifying their photometric performance.

Mounting

The luminaire may be tilted only between 0° (directly downward) and 80° above nadir with all the mounting options. Exception: **ZD4I**, **TR7**, and **TLP** options limit the luminaire tilt to a max of 45° above nadir.

SF2: Adjustable Slip Fitter with 18 AWG wires exiting through the Slip Fitter. Integral splice compartment for field wiring with cULus Wet Location rated access cover with seal around entire perimeter. Slip Fitter made of die cast Aluminum alloy (A380) for high resistance to corrosion, adjustable knuckle has 5 degree aiming increments with integral interlocking teeth and bolt to secure aiming in place, integral cast-in aiming marks. Fits a 2-3/8" tenon (60.3mm) O.D. **SF2** mount meets the ANSI C136.31-2018 & 2023 specifications for Level 1 (1.5G) Normal applications.

SF3: Adjustable Slip Fitter with 18 AWG wires exiting through the Slip Fitter. Integral splice compartment for field wiring with cULus Wet Location rated access cover with seal around entire perimeter. Slip Fitter made of die cast Aluminum alloy (A380) for high resistance to corrosion, adjustable knuckle has 5 degree aiming increments with integral interlocking teeth and bolt to secure aiming in place, integral cast-in aiming marks. Fits a 3" tenon (72.6mm) O.D. **SF3** mount meets the ANSI C136.31-2018 & 2023 specifications for Level 1 (1.5G) Normal applications.

TRN: Adjustable Trunnion with 6' (1.83m) of 16 AWG SEOW cord exiting through IP66 rated cord seal. Customer-specified length or different cord type available - contact factory. Trunnion made of high strength aluminum alloy, painted for high resistance to corrosion, fully adjustable (no minimum aiming increments) with bolts

to secure aiming in place, integral aiming marks every 15°. **TRN** mount passes the UL 1598 Load Test.

WAA: Adjustable Wall Mount comes pre-wired with 18 AWG wires. Adjustable wall mount made of die cast Aluminum alloy (A380) for high resistance to corrosion. Adjustable knuckle has 5 degree aiming increments with integral interlocking teeth and bolt to secure aiming in place. Limited to small (**OFD-S**) and medium sizes (**OFD-M**). **WAA** mount passes the UL 1598 Load Test.

POA: Adjustable Post Top Mount comes pre-wired with 18 AWG wires. Adjustable post top mount made of die cast Aluminum alloy (A380) for high resistance to corrosion. Adjustable knuckle has 5 degree aiming increments with integral interlocking teeth and bolt to secure aiming in place. **POA** mount meets the ANSI C136.31-2018 & 2023 specifications for Level 1 (1.5G) Normal applications.

ARA: Adjustable Arm Mount comes pre-wired with 18 AWG wires. Adjustable arm mount made of die cast Aluminum alloy (A380) for high resistance to corrosion. Adjustable knuckle has 5 degree aiming increments with integral interlocking teeth and bolt to secure aiming in place. Mounts to square poles with knock-out on the arm to allow for mounting to 4-5" O.D. round poles for small (**OFD-S**), medium (**OFD-M**), and large (**OFD-L**) sizes. X-large (**OFD-XL**) size only mounts to 4-5" O.D. round poles. Standard arm casting can accommodate existing bolt spacing from 2" to 4-7/8". It is recommended to use the bolster plate kit **OFD-RMB** (see Accessories) when it's not a new installation or if the mounting holes are larger than 0.41" (10mm). **OFD-RMB** is ordered separately for small (**OFD-S**), medium (**OFD-M**), and large (**OFD-L**), but comes as standard for x-large (**OFD-XL**) and does not need to be ordered separately. **ARA** mount meets the ANSI C136.31-2018 & 2023 specifications for Level 1 (1.5G) Normal applications.

MAA: Adjustable Mast Arm Mount comes pre-wired with 18 AWG wires. Adjustable mast arm mount made of Aluminum alloy (A356) with high resistance to corrosion. Adjustable knuckle has 5 degree aiming increments with integral interlocking teeth and bolt to secure aiming in place. For mounting to 2-3/8" x 5" tenon. Not intended to be installed on a vertical tenon, but instead a horizontal tenon. **MAA** mount meets the ANSI C136.31-2018 & 2023 specifications for Level 1 (1.5G) normal applications.

Control options

Dimming Leads Externally Accessible (DLEA): Access to 0-10V dimming leads supplied through back of luminaire (for secondary dimming controls by others). Cannot be used with other control options.

ZD4I Zhaga-D4i Certified Fixture (includes Zhaga 4-pin receptacle): With the **ZD4I** option (or **WIAP**), your luminaire comes Zhaga-D4i certified. Provides easy integration with D4i smart sensors and communication nodes, enabling plug-and-play IoT upgrades. Product equipped with D4i driver(s) connected to 4-pin Zhaga Book 18 compliant receptacle. Receptacle has IP66 rated assembly in a compact design that provides a sealed electrical interface and rated UV resistance, mounted on underside of the luminaire, protective dust cap included. When a controller not D4i certified is used, we cannot guarantee full compatibility.

Field Adjustable Wattage Selector (FAWS): Luminaire equipped with the ability to manually adjust the wattage in the field to reduce total luminaire lumen output and light levels. Comes pre-set to the highest position lumen output selected. Use chart below to estimate reduction in lumen output desired. Cannot be used with other control options or motion response.

FAWS Position	Percent of Typical Lumen Output	FAWS Position	Percent of Typical Lumen Output
1	29%	6	80%
2	52%	7	83%
3	61%	8	93%
4	72%	9	98%
5	77%	10	100%

Note: Typical value accuracy +/- 5%

OFD-S OptiForm small Floodlight

Specifications (continued)

Control options

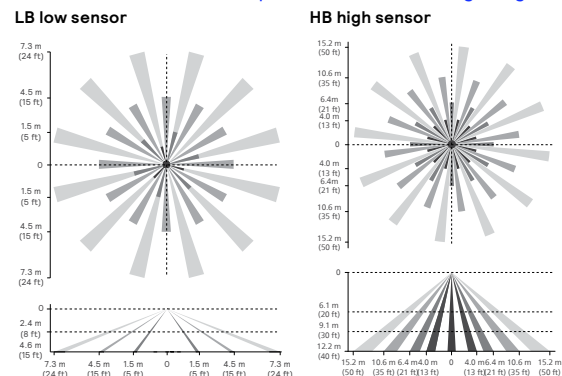
RCRK Ready to Connect to Remote Kit enables controllability for OptiForm Flood without restriction to luminaire mounting types or tilt angles. The remote kit sidecar can be pole-mounted or wall-mounted no greater than 1.5m (4.92ft) away from the luminaire that it controls and is available in a Dark Gray finish. RCRK-Compatible Accessories (see Accessories) **RK-WIAPLB**, **RK-WIAPHB**, or **RK-TR7** must be ordered when the luminaire option **RCRK** is selected. **RK-WIAPLB** and **RK-WIAPHB** use the Philips LCA7305 and include a Wireless Interact Parking sensor (Philips LCN4x10) connected to a 4-pin Zhaga Book 18 compliant receptacle. **RK-TR7** uses the Philips LCA7307 and is equipped with a NEMA 7-pin Twist-Lock Receptacle. Contact factory to inquire about the integration of other nodes such as the OMS Outdoor Multi Sensor (Philips LRI8135) or LLC Interact City cellular technology connector node. One RCRK-Compatible Accessory can control up to 4 luminaires. Exceptions may apply depending on the luminaire configuration and sensor's rating. Consult installation documents or technical support for more details.

RCRK-WIAPLB or **RCRK-WIAPHB**: Scalable connected sensor with integral occupancy and daylight sensing, supports wireless mesh connectivity. Sensor works in the Foundation mode when configured without a gateway or in an Interact Advanced mode if a compatible gateway (can be added later) is used. Interact offers an App, a portal and a broad portfolio of Interact-ready Indoor and Outdoor luminaires, lamps and retrofit kits all working on the same system. Startup is implemented via Interact Pro App (available in iOS® or Android®) and Bluetooth® connectivity. The App provides flexibility to choose between a gateway or non gateway mode for setup. Setup with the gateway requires wired Internet access to the gateway. Prepare project configuration steps remotely and use the App on-site to identify and group devices together. **RCRK-WIAPLB** and **RCRK-WIAPHB** include a 4-pin Zhaga Book 18 receptacle. Daylight harvesting supported through dimming – activated via the Interact App. Sensors IP66 rated.

Compatible with the following (order separately):

- Battery powered IP65 presence sensor OCC sensor IA CM IP65 WH
- Battery powered IP65 presence & daylight sensor OCC-DLsensor IA CM IP65 WH

For more details visit: <https://www.interact-lighting.com>



Note: The beam patterns shown are intended solely as a general guide and are not to scale. Sensing capabilities and coverage area depend on many factors including the size, speed and direction of travel of persons and vehicles; sensor mounting height; environmental and site conditions; etc.

Electrical

NEMA 7-pin Twist-Lock Receptacle (TR7/TLP): Twist-Lock Receptacle with 7 pins enabling dimming and additional functionality (by others) can be used with a 3-pin photocell (**TLP**) or a shorting cap (**TR7** with **OFD-TSC** Accessory). Dimming Receptacle (7-pin) in accordance to ANSI C136.41. Can be used with third-party control system. Receptacle located on Receptacle located on mounting options. Not available with **SF2**, **SF3**, and **TRN**. When specifying receptacle with twist-lock photoelectric cell (**TLP**), voltage must be specified. When ordering 7-pin twist-lock receptacle (**TR7**), all 6 pins are wired to respective pins with the D4i Certified DALI/SR driver, 5 pins for 0-10V driver if not ordered with any other dimming option. Luminaire tilt restriction of 45° with either **TR7** or **TLP** options.

Driver: Driver efficiency (>90% standard). THD is <20%. 120-480V available (restrictions apply). Open/short circuit protection. All drivers are 0-10V dimming to 10% power standard, except when using Sensor Ready (SR) drivers, which uses DALI protocol (options D4i, ZD4i, and TR7). Drivers are RoHS and FCC Title 47 CFR Part 15 compliant.

Photocontrol Button (PCB): Button style design for internal luminaires mounting applications. The photocontrol is constructed of a high impact UV stabilized polycarbonate housing. Rated voltage of 120V or 208-277V with a load rating of 1000 VA. The photocell will turn on with 1-4Fc of ambient light.

Surge protection (SP1/SP2): Surge protection device tested in accordance with ANSI/IEEE C62.45 per ANSI/IEEE C62.41.2 Scenario I Category C High Exposure 10kV/10kA waveforms for Line-Ground, Line-Neutral and Neutral-Ground, and in accordance with DOE MSSLC Model Specification for LED Roadway Luminaires Appendix D Electrical Immunity High test level 10kV/10kA. 20kV / 10kA surge protection device that provides extra protection beyond the SP1 10kV/10kA level.

Listings

UL/cUL wet location listed to the UL 1598 standard, suitable for use in ambient temperatures from -40° to 40°C (-40° to 104°F). Contact factory for DLC certification for configurations that are not currently listed on the Qualified Products list. We can provide DLC certification for select configurations on demand.

Finish

Each standard color luminaire receives a fade and abrasion resistant, electrostatically applied, thermally cured, triglycidyl isocyanurate (TGIC) textured polyester powdercoat finish. Standard colors include textured bronze (**BZ**), black (**BK**), white (**WH**), dark gray (**DG**), and medium gray (**MG**). The finish achieves a minimum scribe rating of 6 per ASTM D1654 after a minimum of 3000 hours salt spray in accordance with testing performed per ASTM B117 standard. Consult Factory for specs on optional, custom colors, and marine grade paint.

Service Tag

Each individual luminaire is uniquely identifiable, thanks to the Service Tag application. With a simple scan of a QR code placed on the inside of the mast door, you gain instant access to the luminaire configuration, making installation and maintenance operations faster and easier, no matter the stage of the luminaire's lifetime. Just download the app and register your product right away.

For more details visit: signify.com/servicetag

Warranty

OptiForm luminaires feature a 5-year limited warranty. See signify.com/warranties for complete details and exclusions.