

製品カタログ

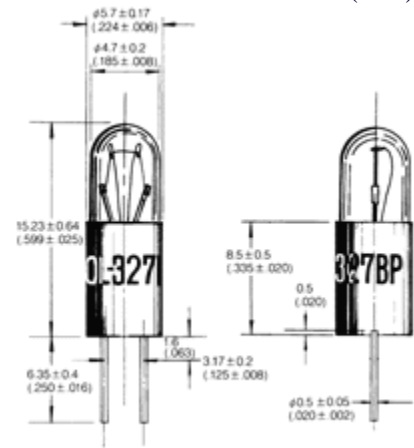
Bi - PIN

T-1 3/4 Bi-Pin

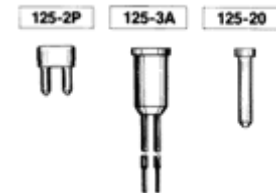
Line Nos.	Oshino Lamp Numbers	MIL Spec ANSI No.	Design Volts	Design Amps	AVG. MSCd	Filament shape	Life (hours)
1	OL-368BP		2.5	.200	.200	C-2R	500
2	OL-268BP		2.5	.350	.210	C-2R	10,000
3	OL-338BP		2.7	.060	.040	C-2R	6,000
4	OL-6133BP		3.0	.040	.030	C-2R	10,000
5	OL-6049BP		4.5	.120	.045	C-2V	25,000
6	OL-6050BP		5.0	.015	.002	C-2V	25,000
7	OL-6030BP		5.0	.020	.020	C-2V	10,000
8	OL-6135BP		5.0	.030	.030	C-2R	16,000
9	OL-6063BP		5.0	.040	.025	C-2R	50,000
10	OL-782BP		5.0	.060	.030	C-2R	200,000
11	OL-783BP		5.0	.060	.050	C-2R	100,000
12	OL-6084BP		5.0	.060	.150	C-2R	5,000
13	OL-6233BP		5.0	.075	.090	C-2R	40,000
14	OL-815BP		5.0	.115	.150	C-2R	40,000
15	OL-428BP		5.0	.180	.350	C-2R	3,000
16	OL-345BP		6.0	.040	.040	C-2V	10,000
17	OL-6226BP		6.0	.060	.130	C-2R	3,000
18	OL-332BP		6.0	.200	.100	C-2F	50,000
19	OL-328BP		6.0	.200	.34@5V	C-2R	1,000
20	OL-380BP		6.3	.040	.030	C-2V	50,000
21	OL-377BP		6.3	.075	.230	C-2R	1,000
22	OL-350BP		6.3	.150	.450	C-2R	3,000
23	OL-381BP		6.3	.200	.400	C-2F	50,000
24	OL-349BP		6.3	.200	.550	C-2R	5,000
25	OL-344BP		10.0	.014	.004	C-2F	50,000
26	OL-367BP		10.0	.040	.080	C-2F	5,000
27	OL-394BP		12.0	.040	.120	C-2F	10,000
28	OL-6038BP		12.0	.060	.150	C-2F	16,000
29	OL-382BP	7382	14.0	.080	.300	C-2F	50,000
30	OL-330BP		14.0	.080	.500	C-2F	1,500

形状・寸法

Unit in mm  
(inch)



SOCKETS APPLICABLE



Line Nos.	Oshino		Design Volts	Design Amps	AVG. MSCd	Filament shape	Life (hours)
	Lamp Numbers	MIL Spec ANSI Spec					
31	OL-6006BP		14.0	.088	.500	C-2F	4,000
32	OL-8918BP		14.0	.100	.500	C-2F	10,000
33	OL-6003BP		15.0	.037	.075	C-2F	50,000
34	OL-370BP		18.0	.040	.150	C-2F	10,000
35	OL-459BP		22.0	.040	.300	C-2F	2,000
36	OL-6005BP		24.0	.050	.500	C-2F	1,000
37	OL-6034BP		28.0	.024	.150	C-2F	5,000
38	OL-385BP		28.0	.040	.200	C-2F	25,000
39	OL-387BP	7387	28.0	.040	.300	C-2F	7,000
40	OL-327BP	7327	28.0	.040	.340	C-2F	4,000
41	OL-327LSV-BP	7876	28.0	.060	.340	C-2F	25,000
42	OL-365BP		28.0	.060	.600	C-2F	5,000
43	OL-6235BP		32.0	.033	.340	C-2F	10,000

---

Copyright © 2006 OSHINO LAMPS LIMITED All Rights Reserved.