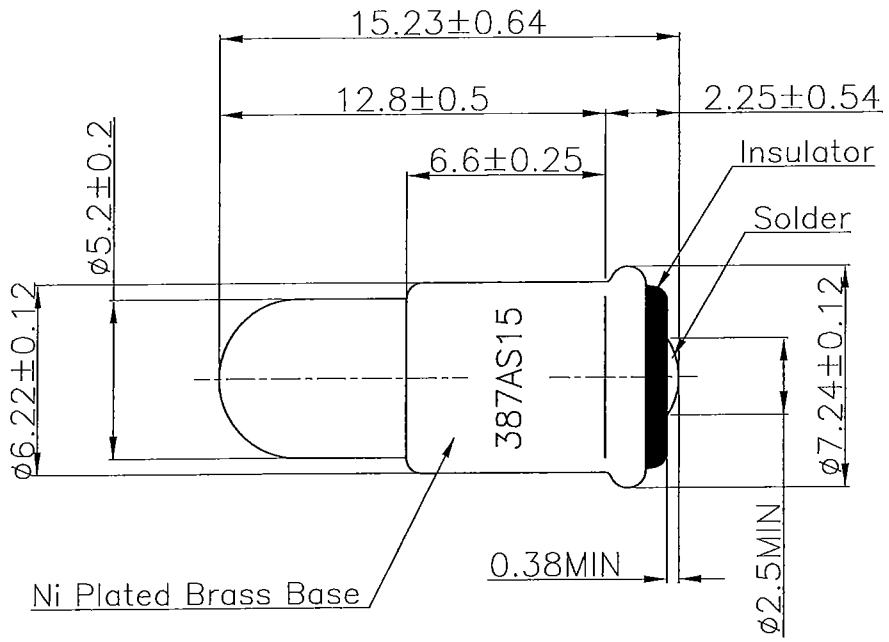


D.W.G. 806332	REV.	REVISIONS			
		LET	DESCRIPTION	BY	DATE



P/No. 387AS15  
 Design Volt 28V  
 Design Amp 40mA±10%  
 Light Output 0.3MSCP±15%  
 Filament Shape C-2F



SCALE 4:1	UNIT m.m	MATERIAL	
TITLE T-1 3/4 MF LAMP		DATE 171208	 Oshino Lamps Limited SHINAGAWA, TOKYO, JAPAN
DRAWN <i>J. Wama</i>	CHECKED <i>T. Yoshit</i>	APPROVED <i>G. Komuro</i>	
			REV.