

## DECOSTAR 35

---

20 W 12 V 36° GU4



- General illumination
- Workplace lighting
- Kitchen lighting
- Mirror lighting
- Object lighting
- Shops
- Restaurants, hotels and similar prestigious applications

### Product benefits

---

- Brilliant accent light
- Dichroic reflector reduces the heat in the light beam by up to 66 %
- Approved for use in open luminaires (to IEC 60598-1)
- UV filter
- Contains no mercury, can be thrown away with normal household waste

### Product features

---

- Average life: 2,000 h
- 100 % dimmable
- Color rendering index  $R_a$ : 100
- Base: GU4



## Technical data

---

### Electrical data

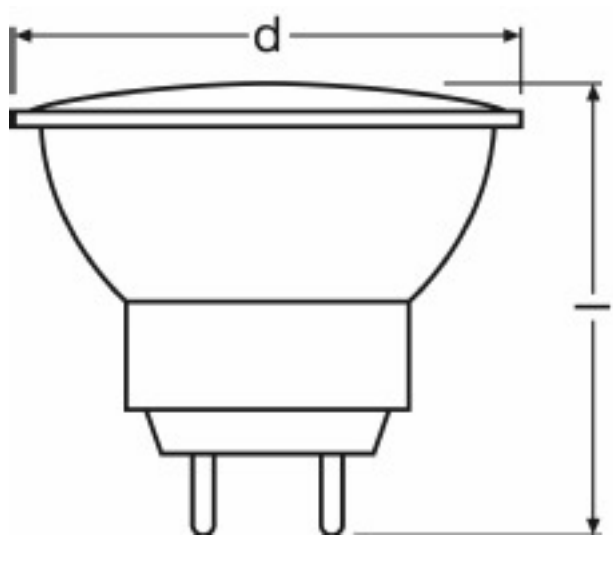
Rated wattage	20 W
Nominal wattage	20 W
Nominal voltage	12 V
Rated power factor $\lambda$	1.00

### Light technical data

Luminous intensity	580 cd
Beam angle	36 °
Rated color temperature	2800 K
Rated color rendering index Ra	100
Rated starting time	0.0 s
Rated warm-up time (60 %)	0 s
Lumen main.fact.at end of nom.life time	0.70

### Dimensions & weight

Overall length	42.0 mm
Diameter	35.0 mm
Outer bulb	T9



Product line drawing with letters

**Colors & materials**

Rated lamp mercury content	0.0 mg
Mercury-free	Yes

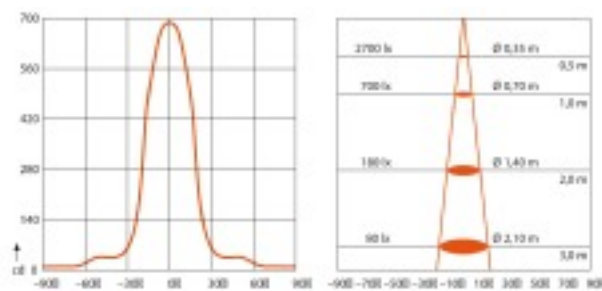
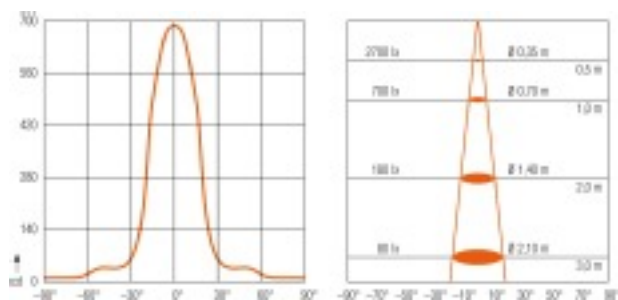
**Lifespan**

Nominal lamp life time	2000 h
Rated lamp life time	2000 h
Rated number of switching cycles	1000000 <sup>1)</sup>

<sup>1)</sup> At 1 s on / 1 s off

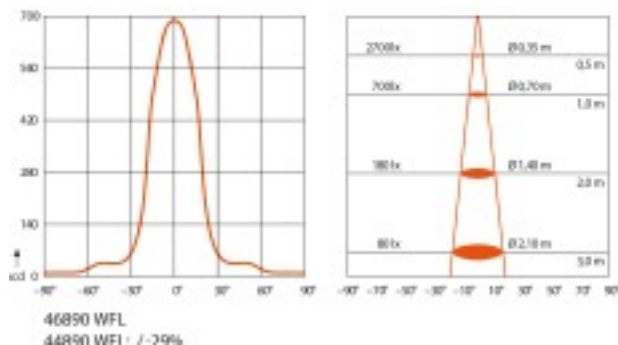
**Additional product data**

Base (standard designation)	GU4
-----------------------------	-----



Luminous intensity distribution

Luminous intensity distribution



Luminous intensity distribution

**Capabilities**

<b>Dimmable</b>	Yes
<b>Burning position</b>	Any

**Country specific categorizations**

<b>ILCOS</b>	HRGS//UB-20-12-GU4-35/36
<b>Order reference</b>	44890 WFL

**Logistical Data**

Product code	Packaging unit (Pieces/Unit)	Dimensions (height x width x length)	Gross weight	Volume
4050300346168	Folding carton box 1	34 mm x 34 mm x 50 mm	20.10 g	0.06 dm <sup>3</sup>
4050300346175	Shipping carton box 10	71 mm x 70 mm x 178 mm	231.00 g	0.88 dm <sup>3</sup>

## References / Links

---

For light distribution curves see

▶ [www.osram.com](http://www.osram.com)

## Disclaimer

---

Subject to change without notice. Errors and omission excepted. Always make sure to use the most recent release.