

Lok-it!® Lamp Family

Single-End Metal Halide and Halogen Lamps with Lok-it! Base



Key Features & Benefits

- Lamp replacement made easier, faster and safer with one-touch rotate & lock base.
- Metal Halide lamps have eXtreme Seal (XS) technology allowing 450°C at the pinch seal.
- Base Sizes: PGJX50, PGJX28, & PGJX36
- Interchangeable with other PGJX50, 28, & 36 lamps and sockets due to universal base design.
- Metal Halide and Tungsten Halogen lamps available.

Product Offering

Product Name	Product Number	Rated Wattage (W)	Rated Voltage (V)	Rated lamp Current (A)	Lumens	Arc Gap (mm)	Avg. Rated Life (hrs)	Color Temp. (°K)	CRI	Base
Lok-it!® metal halide lamps										
HSD 300W/80/P28	54382	300	95	3.2	27,000	5	2000	8000	>85	PGJX28
HTI 400W/60/P28	54360	400	65	6.2	29,000	3.4	750	6000	>85	PGJX28
HTI 700W/75/P28	54221	700	80	8.8	50,000	4	750	7500	>85	PGJX28
HTI 700W/75/P50	54229	700	90	7.8	50,000	4	750	7500	>85	PGJX50
HTI 1500W/60/P50	54225	1200-1500	100 +/- 10	16	135,000	5.5	750	6000	>90	PGJX50
HTI 1500W/60/P50 M3W	54396	1200-1500	100 +/- 10	16	125,000	7	750	6000	>90	PGJX50
Lok-it!® HTI Power Series										
HTI 1000W/PS	54385	1000	85	11.8	85,000	5.5	750	5800	>85	PGJX36
Lok-it!® halogen lamps										
1200W/80V/32/P50	54871	1200	80	15	37,500	N/A	250	3200	100	PGJX50

Application Information

- Follow Spots
- Intelligent Fixtures
- Stage, Studio, Television
- Club Lighting

Warning

Some lamps emit a high level of ultraviolet (UV) radiation and operate at high pressure. Before use, read the complete warning accompanying the product.

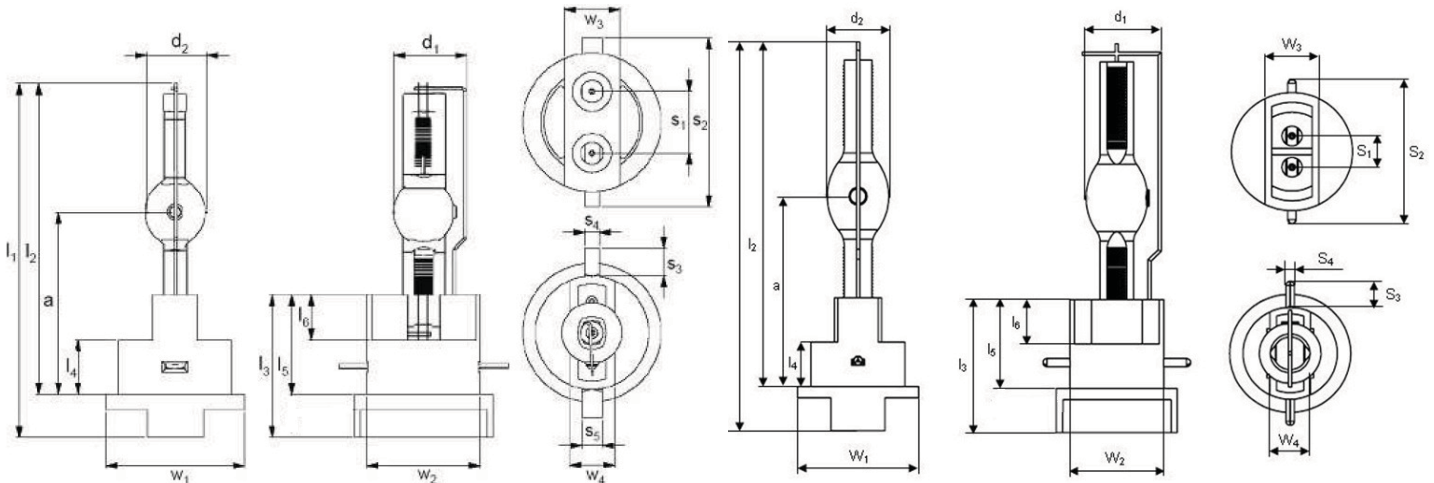
Disposal

When disposing of spent lamps, always consult federal, state, local and provincial hazardous waste disposal rules and regulations to ensure proper disposal.

Metal Halide Lamps

PGJX50 Base (P50)

PGJX28 (P28) & PGJX36 Base



Lamp Dimensions – Lok-it!® Metal Halide Types

	54382 HSD 300W/80/P28	54360 HTI 400W/60/P28	54221 HTI 700W/75/P28	54229 HTI 700W/75/P50	54385 HTI 1000W/PS	54225 HTI 1500W/60/P50	54396 HTI 1500W/60/P50 M3W
Lamp length (overall) (mm) l_1	122	103	117	125	112	128	128
Lamp length (mm) l_2	110	89.5	104	110	99	112	112
LCL (mm) a	67	56.5	56	65	56	65	65
Base height (overall) (mm) l_3	40	40	40	51	40	51	51
Bulb diameter (mm) d_2	23	17	18	max 20	21	max. 23	max. 23
Bulb diameter (mm) d_1 (incl. current bar)	23	20	23	max 24	25	max. 29	max. 29
Base height part (mm) l_4	13.5	13.5	13.5	19.5	13.5	19.5	19.5
Base height part (mm) l_5	27	27	27	35.5	27	35.5	35.5
Base height part (mm) l_6	13	13	13	16	13	16	16
Base plate diameter (mm) w_1	36	36	36	50	36	50	50
Base neck width (mm) w_2	28	28	28	41	28	41	41
Base handle width (mm) w_3	16	16	16	20	16	20	20
Base neck width (mm) w_4	12	12	12	16	12	16	16
Base pin inner distance (mm) s_1	9.5	9.5	9.5	22	12	22	22
Base pin outer distance (mm) s_2	43.5	43.5	43.5	61	43.5	61	61
Base pin length (mm) s_3	8	8	8	10	8	10	10
Base pin width (mm) s_4	2.5	2.5	2.5	5	2.5	5	5
Base pin width (mm) s_5	N/A	N/A	N/A	7	2.5	7	7

Lamp Operation – Lok-it!® Metal Halide Types

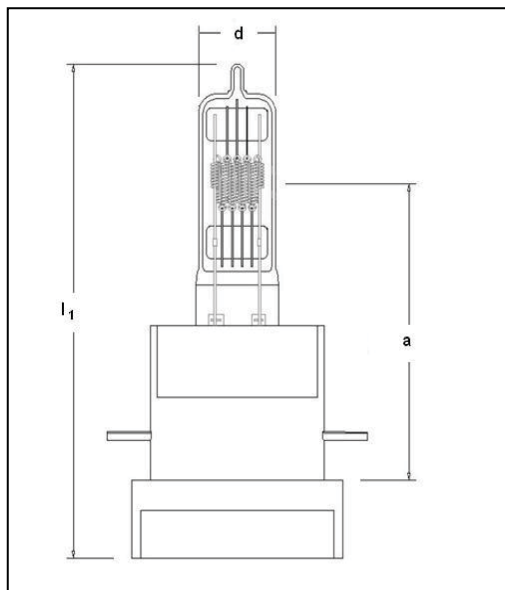
Maximum pinch seal temperature allowed	450°C / with eXtreme Seal Technology (measured at welding point)
Cooling	Forced cooling / fan required
Burning position	Any

The HTI® 1500 W/60/P50 Lok-it!® is designed to be operated on electronic power supplies (ECG) only.



Halogen Lamps

PGJX50 Base (P50)



Lamp Dimensions – Lok-it!® Tungsten Halogen Types

54871
1200W/80V/32/P50
Lok-it!

Lamp length (MOL) (mm) l_1	129.5
LCL (mm) a	84
Bulb diameter (mm) d	25

For additional base dimensions, see PGJX50 technical data in the Metal Halide section

Lamp Operation – Lok-it!® Tungsten Halogen Types

Maximum pinch seal temperature allowed	350°C
Cooling	Convection
Burning position	Any

Ordering Information - Lok-it!® Types

Lamp Description	Product Number	Standard Case Quantity
Metal Halide		
HSD 300W/80/P28 Lok-it!	54382	1
HTI 400W/60/P28 Lok-it!	54360	1
HTI 700W/75/P28 Lok-it!	54221	1
HTI 700W/75/P50 Lok-it!	54229	1
HTI 1000W/PS Lok-it!	54385	1
HTI 1500W/60/P50 Lok-it!	54225	1
HTI 1500W/60/P50 M3W Lok-it!	54396	1
Tungsten Halogen		
1200W/80V/32/P50 Lok-it!	54871	12

Ordering Guide Lok-it!® Types

HSD	300W	/	80	/	P28	Lok-it!	
HSD® Metal Halide	Wattage = 300		Color Temp = 8000°K		Base = PGJX28	Family Name = Lok-it!	
1200W	/	80V	/	32	/	P50	Lok-it!
Wattage = 1200W Tungsten Halogen		Voltage =80	Color Temp = 3200°K		Base = PGJX50	Family Name = Lok-it!	

HSD, HTI and Lok-it! are registered trademarks of OSRAM GmbH.

www.sylvania.com

©2013 OSRAM SYLVANIA

