

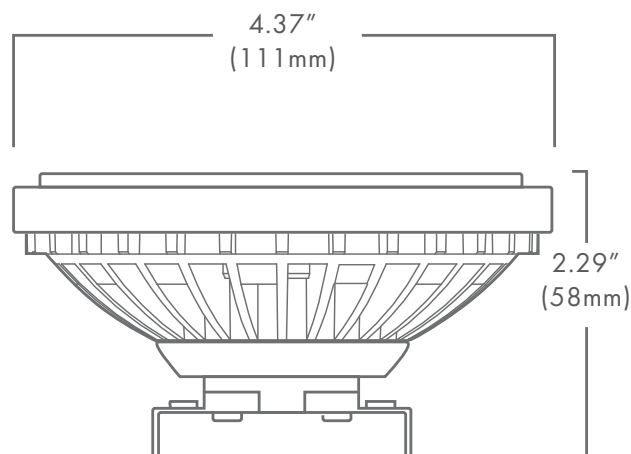
PAR-36

DESCRIPTION:

The Brilliance LED PAR-36 LED lamp has been redesigned to better fit into standard, low voltage, PAR-36 fixtures. These LED's are thermally engineered to operate in enclosed fixtures and provides added security by automatically cooling down (and reducing lumens output) only when exposed to extreme heat (air temperatures above 125°F). In addition, there is no color shift when lumen output is reduced, and the overall lamp life is improved.

FEATURES:

- Updated Gen 5 Earth Tone colored housing
- Dimmable with most magnetic transformers
- Enhanced ESD (Electro-Static Discharge) Protection (IEC-61000-4-2)
- Heat Overload Protection Technology
- Fully potted PC board
- UL & FCC compliant



PART NUMBER: PAR36 X XXXX XX

2200	4	WATTAGE	KELVIN/COLOR
2700	7		
3000	11		
5700	15		
RED		BEAMSPREAD	
GREEN			
BLUE	30		
AMBER	60		
	90		
	120		

LUMEN OUTPUT

	2200K	2700K	3000K	5700K
4W		435	470	520
7W	600	675	700	800
11W	800	900	950	1150
15W	1100	1430	1530	1650

Wattage	4, 7, 11, 15
Beam Spread	15°, 30°, 60°, 120°
Color	red, green, blue, amber(7&11W only)
Kelvin Temperature	2200, 2700, 3000, 5700
Operating Range	8-25 VAC
Replaces	20/35/50W Halogen
CRI	85
IP	68
Chipset	CREE
Lamp Life (hours)	50,000
Warranty (years)	5

